

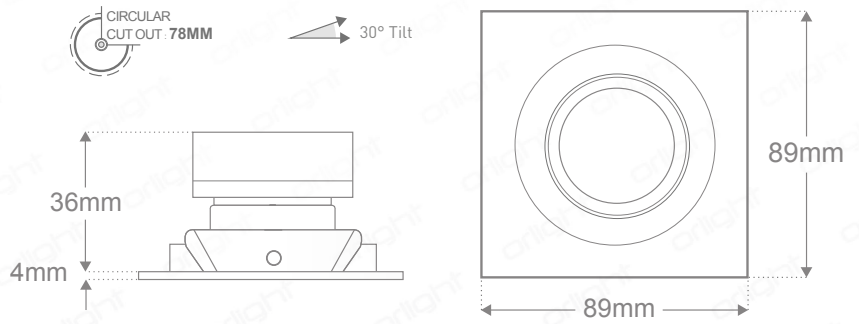


## ORL1019-S-SQ - Slim Square Tilt Magnetic Downlight

### Description

Architectural square downlight featuring an anti-glare baffle and magnetic lamp change mechanism. 360 Degree rotation and tilt capability with slim line construction allowing for applications with restricted recess depth. The fixture is available in a variety of finishes.

### Dimensions

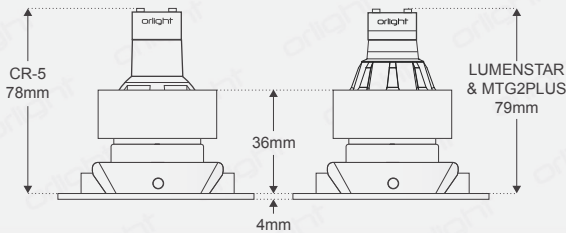


### Dimensions w/Lamp: CR-5 - LUMENSTAR - MTG2PLUS

### Specifications

<b>Lamps</b>	CR5; LUMENSTAR; MTG2PLUS; DIABLO Range
<b>Construction</b>	Aluminium Frame / Magnetic Suspension
<b>Lamp Change</b>	Magnetic Lamp Change Mechanism
<b>Power Consumption</b>	Variable Light Source - LED Module / GU10
<b>Voltage</b>	Max. 240V
<b>Tilt</b>	30°
<b>Rotation</b>	360°
<b>Cutout</b>	78mm - Circular
<b>Anti-Glare</b>	Yes
<b>IP Rating</b>	20
<b>Accessories</b>	GU10 Lamp Holder (MC2)
<b>Finish</b>	Epoxy Powder Coat

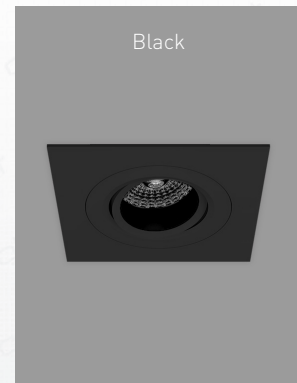
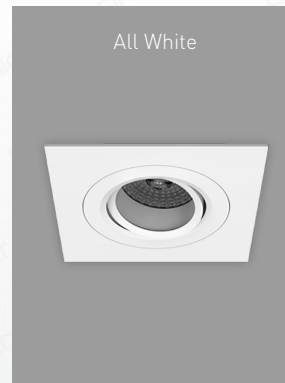
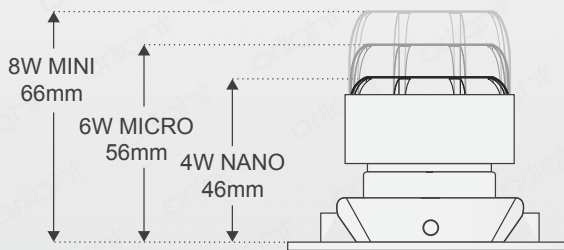
Allow +2mm for Cable Clearance



### Dimensions w/Lamp: DB4 - DB6 - DB8

### Finishes

Allow +5mm for Cable Clearance



Product Coding: Example: ORL1019-S-SQ-CH

CODE	SLIMLINE	SQUARE	FINISH
ORL1019	S	SQ	WH-9016 (White RAL9016)
			AW-9016 (All White RAL9016)
			BL (Black)