



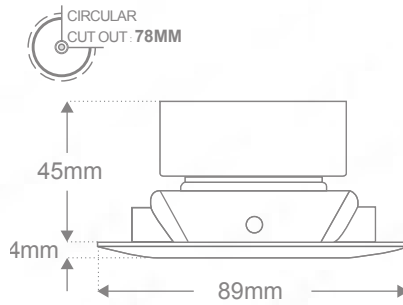
## ORL1009-IP44 - IP44 Fixed Magnetic Downlight

### Description

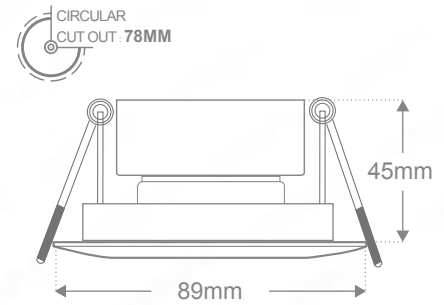
Architectural downlight featuring an anti-glare baffle and magnetic lamp change mechanism. The recessed light source serves to minimise glare. Constructed to IP44 rating the fixture is available in a variety of finishes. High specification option available which features a spring ceiling retention mechanism as opposed the blades.



### Standard Dimensions

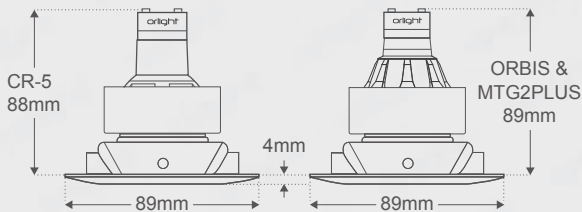


### High Spec Dimensions



### Lamp Dimensions: CR-5 - LUMENSTAR- MTG2PLUS

Allow +2mm for Cable Clearance

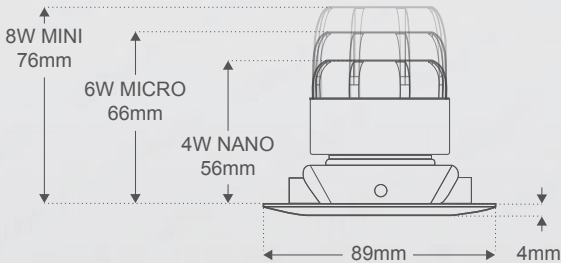


### Specifications

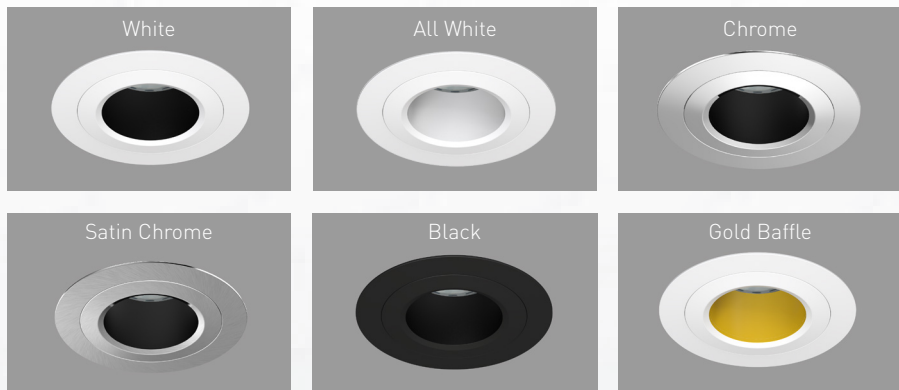
<b>Lamps</b>	CR5; LUMENSTAR; MTG2PLUS; DIABLO Range
<b>Construction</b>	Aluminium Frame / Magnetic Suspension
<b>Lamp Change</b>	Magnetic Lamp Change Mechanism
<b>Power Consumption</b>	Variable Light Source - LED Module / GU10
<b>Voltage</b>	Max. 240V
<b>Tilt</b>	Fixed
<b>Rotation</b>	Fixed
<b>Cutout</b>	78mm
<b>Anti-Glare</b>	Yes
<b>IP Rating</b>	44
<b>Accessories</b>	GU10 Lamp Holder (MC2)
<b>Finish</b>	Solid Colours - Epoxy Powder Coat; Metallic Finishes - Electroplate

### Lamp Dimensions: DB4 - DB6 - DB8

Allow +5mm for Cable Clearance



### Finishes



Product Coding: Example: ORL1009-HS-IP44-WH-9016

CODES

ORL1009

HIGH SPEC OPTION

HS (White Only)

\* Available in High Spec Version

IP Rating

IP44

FINISH

WH-9016 (White RAL9016) \*

AW-9016 (All White RAL9016) \*

CH (Chrome)

SC (Satin Chrome)

BL (Black)

GB (Gold Baffle)