

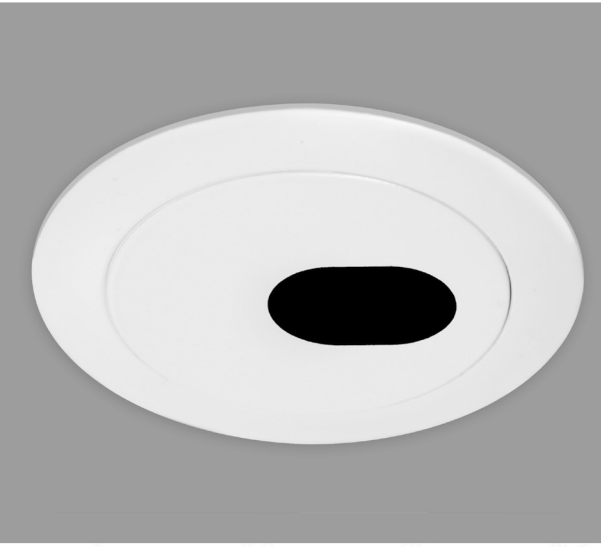
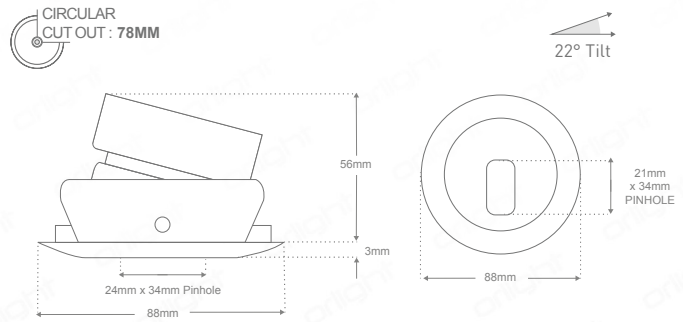


ORL8018 - Adjustable Pinhole Downlight

Description

Architectural pinhole downlight featuring an anti-glare baffle and magnetic lamp change mechanism. 360 Degree rotation and tilt capability. Pinhole aperture establishes a more definitive distribution of light with adjustable positioning.

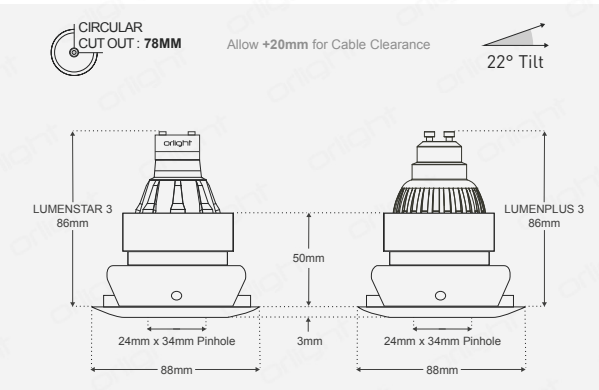
Dimensions



Dimensions w/Lamp: LUMENSTAR 3 ; LUMENPLUS 3

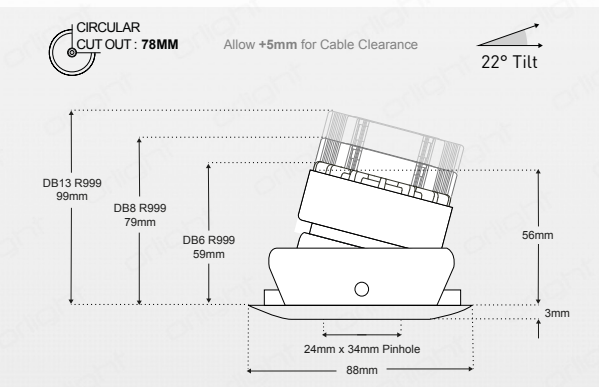
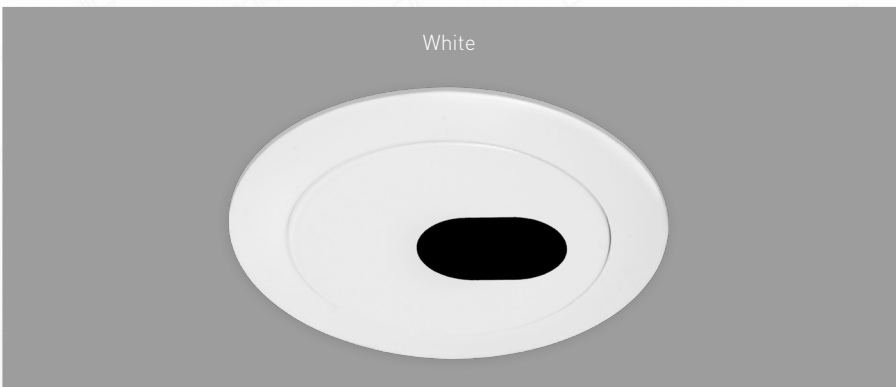
Specifications

Lamps	LUMENPLUS 3 ; LUMENSTAR 3 ; DB-R999 Range
Construction	Aluminium Frame / Magnetic Ring
Lamp Change	Magnetic Lamp Change Mechanism
Power Consumption	Variable Light Source
Voltage	Max. 240V
Tilt	22°
Rotation	360°
Cutout	78mm - Circular
Anti-Glare	Yes
IP Rating	IP20, IP54
Accessories	GU10 Lamp Holder (MC2)
Finish	Epoxy Powder Coat



Dimensions w/Engine: DB-R999 Range

Finishes



Product Coding: Example: ORL8018-WH-9016

PREFIX

FINISH

IP RATING

ORL8018

WH-9016 (White RAL9016)

(IP20)

IP54