



ORL6019-HS-AW-9016 - Magnetic Tilt Downlight

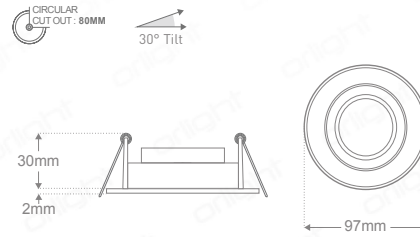
Description

The lamp is housed in a position flush with the face of the ceiling. An outer retaining collar allows ease of location of the adjustable high specification luminaire. Ongoing lamp maintenance is achieved by removal of the centre body via magnetic lamp retention.

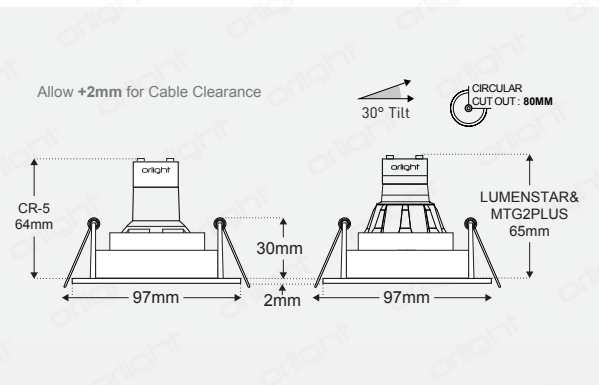


Dimensions

Standards



Specifications



Lamps	CR5; LUMENSTAR; MTG2PLUS; MTG2: R9-99
Construction	Steel / Magnetic Suspension
Lamp Change	Magnetic Lamp Change Mechanism
Power Consumption	Variable Light Source - LED Module / GU10
Voltage	Max. 240V
Tilt	30°
Rotation	360°
Cutout	80mm
Anti-Glare	Yes
IP Rating	20
Accessories	6019-COLLAR
Finish	Epoxy Powder Coat

Product Coding: Example: ORL6019-HS-AW-9016

PREFIX

CODE

HIGH SPEC

FINISH

ORL

6019

HS

AW - (All White RAL9016)