



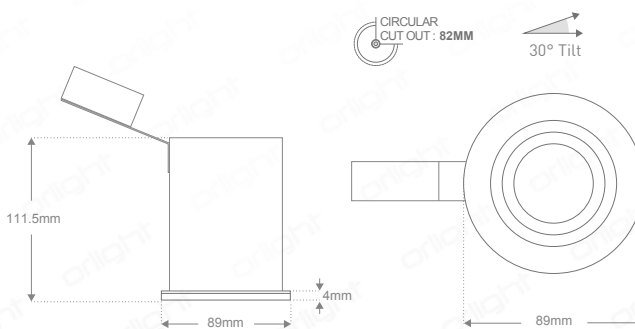
## ORL1019-F-HS - Fire Rated Tilt Magnetic Downlight

### Description

Adjustable architectural downlight featuring a magnetic lamp change mechanism. The fire rated range, with its long base fixtures, can accommodate Orlight's longer length LED lamp types. Available in various finishes.



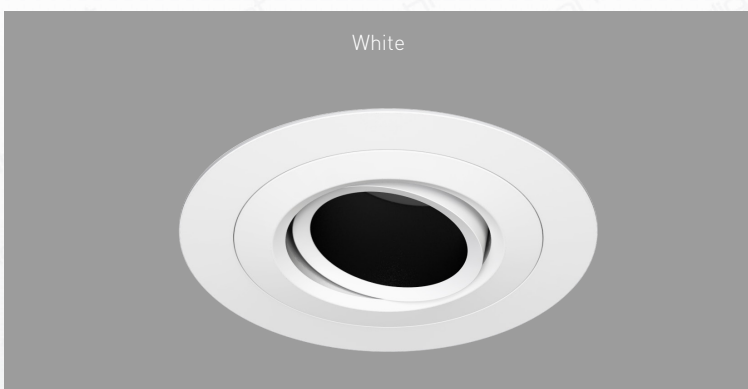
### Dimensions



### Specifications

Lamps	CR5; LUMENSTAR; MTG2PLUS
Construction	Aluminium / Alloy
Lamp Change	Magnetic Lamp Change Mechanism
Power Consumption	Variable Light Source
Voltage	Max 240V
Tilt	30°
Rotation	360°
Cutout	82mm - Circular
Anti-Glare	No
IP Rating	20
Accessories	Integrated GU10 Lamp Holder
Finish	Solid Colours - Epoxy Powder Coat

### Finishes



Product Coding Example: ORL1019-F-HS-AW-9016

CODE	FIRE RATED	HIGH SPEC	FINISH
ORL1019	F	HS	WH - (White RAL9016)
			AW - (All White RAL9016)