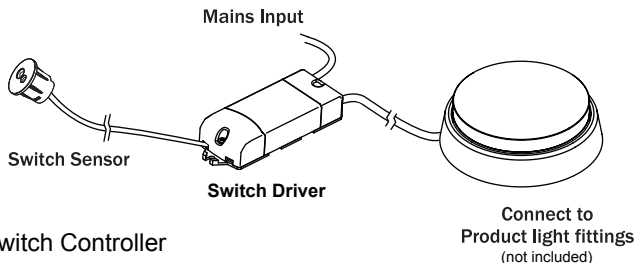


# IR SWITCH CONTROLLER

## INSTALLATION INSTRUCTION

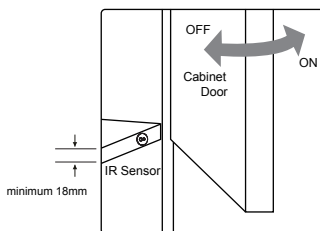
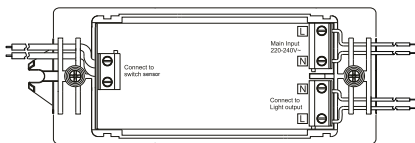


### IR-Sensor Switch Controller

Model: ORL-OC-IR1  
220-240V~ 50Hz 2.5A  
Loading:  
Incandescent Max. 500W  
Fluorescent Max. 200W  
Sensor distance: Max. 5cm

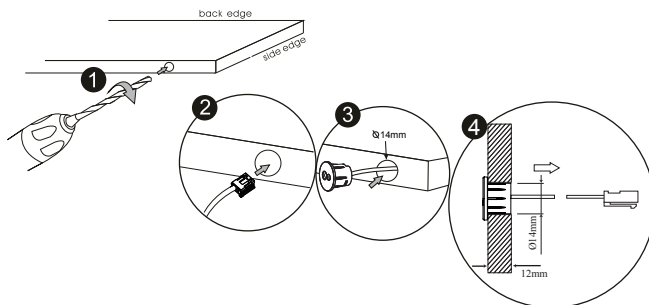
### Installation Position

### Connection Diagram



Installed at the edge of minimum 18mm thick cabinet wooden board.

### Installation method



1. Use a drill to make a 14mm hole completely through the board.
2. Pass through the sensor cable to the board.
3. Push the switch into the 14mm cut hole. Make sure that IR-sensor is fixed to the drilling hole, otherwise its function can be affected.
4. Connect the wires to the switch controller connection box as above connection diagram. Keep away any waving objects within the detection area to avoid the unwanted action of the controller.