

## MOD0 - Designer Brass Pendant Light

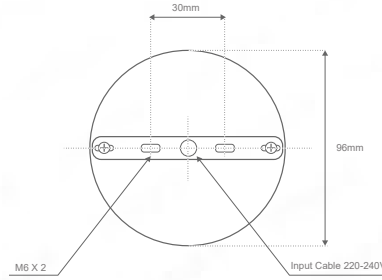


## Description

This elegant designer pendant finished in brass is suitable for any upscale interiors or elegant areas, lobbies and atriums.

Suggested light source is a stylish E27 LED filament light lamp that produces an attractive glow consuming only 6 watts, with a CRI>80 to ensure light quality.

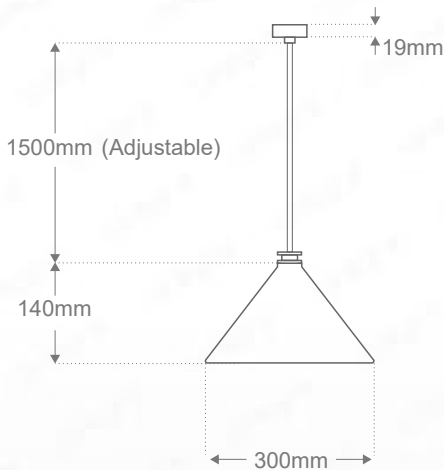
## Fixing Details



## Standards



## Dimension



## Specifications

Lamps	E27 Lamp (Supplied Separately - Dimmable)
Dimming Options	Switched / Mains Dimmable
Power Consumption	6W
Voltage	Max 240V
Light Distribution	Wide
Colour Temperature	2700K
Light Output ~	720lm
lm Per Watt ~	120lm/W
Binning	2 Step MacAdams Ellipse
Chip Life	L70 >30'000hrs
CRI	>80
Beam Angle	290°
IP Rating	20
Installation Info	Surface Mounted
Weight	972g
Finish	Brass (Other Finishes Available Upon Request)

## Colourmetrics (Suggested Light Source)

2700K

R1	R2	R3	R4	R5	R6	R7	R8
79	89	98	79	78	86	84	59
R9	R10	R11	R12	R13	R14	R15	
8	75	77	65	81	99	71	

Product Coding: Example: MOD0-BR

PREFIX

MOD0

FINISH

BR (Brass)

Suggested Light Source Product Coding: Example: TDLEDFIL6W-2700K

CODE

TDLEDFIL

WATTAGE

6W

COLOUR TEMPERATURE

2700K