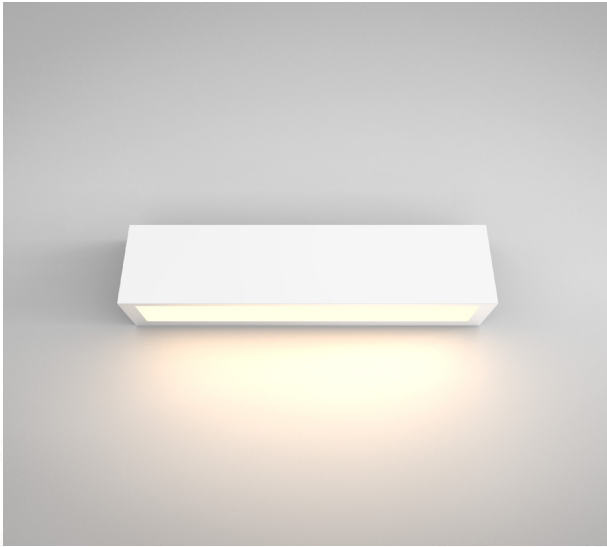
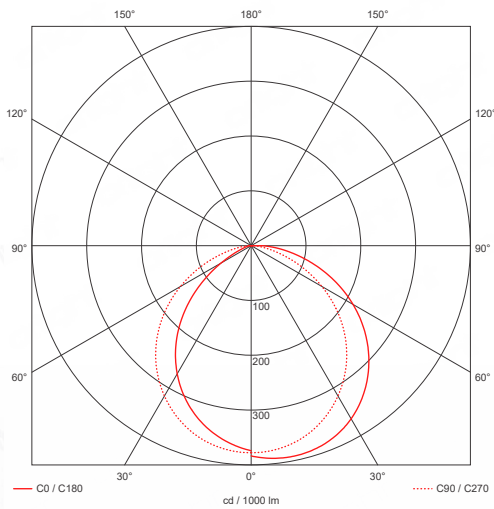


## LUCIA350 - Mid Size LED Wall Light



### Polar Report



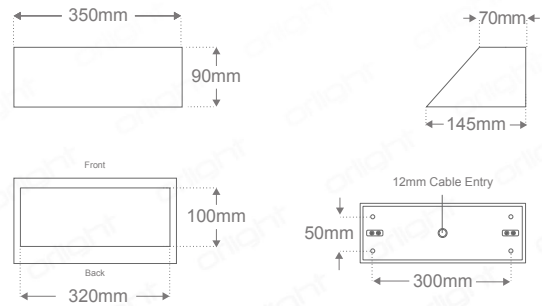
### Finish



### Description

Architectural surface fixture constructed from Stainless Steel to IP54. Solid State chipset with downward light emission and wide beam distribution. Integral power supply unit available in switched, 1-10V and DALI dimmable configurations. Light quality assurance with CRI >80. Finishes available in Polished Stainless Steel, White or Black Epoxy Power Coat.

### Dimensions



### Specifications

Chipset	Solid State SMD	
Dimming Options	Switched; 1-10V; DALI	
Driver Information	Integral	
Power Consumption	20W	
Voltage	240V	
Current	400mA	
Colour Temperature	3000K	4000K
Light Output ~	1054lm	1117lm
lm Per Watt ~	53lm/W	56lm/W
CRI	>80	>80
Beam Angle	120°	
Binning	3 Step MacAdams Ellipse	
Chip Life TM-21	L70 > 50,000 hours	
IP Rating	IP54	
Operating Temperature	-40°C - +55°C	
Weight	1693g	
Finish	Polished Stainless Steel; White; Black	

### Colourmetrics

3000K								4000K							
R1	R2	R3	R4	R5	R6	R7	R8	R1	R2	R3	R4	R5	R6	R7	R8
78	87	95	79	77	83	85	60	83	89	94	84	82	84	90	71
R9	R10	R11	R12	R13	R14	R15		R9	R10	R11	R12	R13	R14	R15	
5	70	76	60	80	97	72		24	73	82	62	84	96	78	

Product Coding: Example: LUCIA350-BL-LED-3000K

CODE	FINISH	LIGHT SOURCE	COLOUR TEMP	DIMMING OPTION
LUCIA350	WH - (WHITE)	LED	3000K	SWITCHED - (STANDARD)
	SS - (STAINLESS STEEL)		4000K	1-10V
	BL - (BLACK)			DALI
*Refer to Accessories				