

## JOLLY MINI 1-10 PUSH LC

Direct current dimmable electronic drivers with DIP-SWITCH

Made in Europe



1...10 V PUSH constant CURRENT constant VOLTAGE

EN 05 KEMA EUR 110 M M EL SELV

RIPPLE FREE



JOLLY MINI 1-10 PUSH LC



JOLLY MINI 1-10 PUSH LC BI

ACTIVE PFC DIP-SWITCH 2kV DIFF. 4kV COMM. COOKER HOOD SAFETY PROTECTIONS

### Rated Voltage

110 ÷ 127 V<sup>(2)</sup>  
220 ÷ 240 V

### Frequency

50...60 Hz

### AC Operation range

99 ÷ 264 V

### DC Operation range

176 ÷ 280 V  
(NO PUSH mode function)

### Power

0 ÷ 20 W

### Maximum current output ripple

≤ 3%<sup>(1)</sup>

### Reference Norms

EN 50172 (VDE 0108)  
EN 55015  
EN 60335-1  
EN 61000-3-2  
EN 61000-3-3  
EN 61347-1  
EN 61347-2-13  
EN 61547  
EN 62384  
VDE 0710-T14

Article	Code	P out W	V out DC	I out DC	n° LED max. <sup>(1)</sup>	V out max.	ta °C	tc °C	λ max. Power Factor	η max. Efficiency <sup>(1)</sup>	
JOLLY MINI 1-10 PUSH LC JOLLY MINI 1-10 PUSH LC BI	12401	<b>Constant current output</b>					59	-25...+50	75	0,95	>87
	122401BI	5,4 (5,4 <sup>(2)</sup> )	20...54	100 mA cost.	16...18						
		7,5 (7,5 <sup>(2)</sup> )	10...54	140 mA cost.	16...18						
		10 (10 <sup>(2)</sup> )	2...54	180 mA cost.	16...18						
		12 (12 <sup>(2)</sup> )	2...54	220 mA cost.	16...18						
		14 (14 <sup>(2)</sup> )	2...54	260 mA cost.	16...18						
		16 (15 <sup>(2)</sup> )	2...54	300 mA cost.	15/16						
		18 (15 <sup>(2)</sup> )	2...54	340 mA cost.	15/16						
		20 (15 <sup>(2)</sup> )	2...54	380 mA cost.	15/16						
	<b>Constant voltage output</b>										
	9 (9 <sup>(2)</sup> )	24 cost.	0,38 A max.	-	-						

<sup>(1)</sup> Referred to V<sub>in</sub> = 230 V, 100% load - Riferito a V<sub>in</sub> = 230 V, carico 100%

### Accessories not supplied

Article	Code
REG 1-10 V (pag. 301)	123999L

### Features

- Multipower driver supplied with dip-switch for the selection of the output current.
- IP20 independent driver, for indoor use (JOLLY MINI 1-10 PUSH LC).
- Class II protection against electric shock for direct or indirect contact (JOLLY MINI 1-10 PUSH LC).
- Driver for built-in use (JOLLY MINI 1-10 PUSH LC BI).
- It can be used for lighting equipment in protection class I and II (JOLLY MINI 1-10 PUSH LC BI).
- Active Power Factor Corrector.
- Current regulation ±5 % including temperature variations.

- Input and output terminal blocks on the same side (wire cross-section up to 1,5 mm<sup>2</sup> / AWG15).
- Clamping screws on primary and secondary circuits for cables with diameter: min. 3 mm - max. 8 mm (JOLLY MINI 1-10 PUSH LC).
- Protections:
  - against overheating and short circuits;
  - against mains voltage spikes;
  - against overloads.
- Thermal protection = C.5.a.
- Double output impedance for use in household electrical appliances.

7 YEARS WARRANTY  
3% FAILURE RATE

10 YEARS WARRANTY  
5% FAILURE RATE

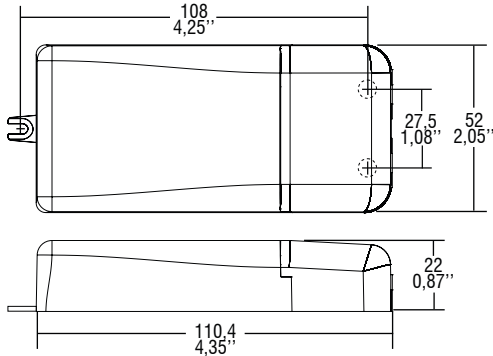
## JOLLY MINI 1-10 PUSH LC

Direct current dimmable electronic drivers with DIP-SWITCH

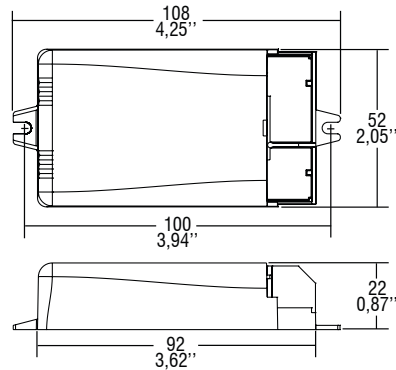
Made in Europe



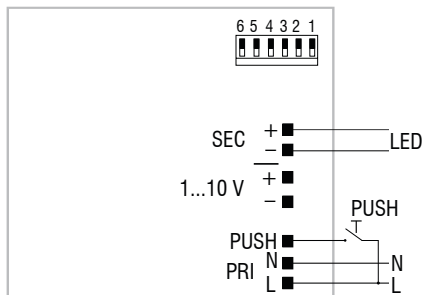
**IP 20** **SCREW FIXING** 055 2.17" Weight - gr. 108 / 3,50 oz. Pcs - 50



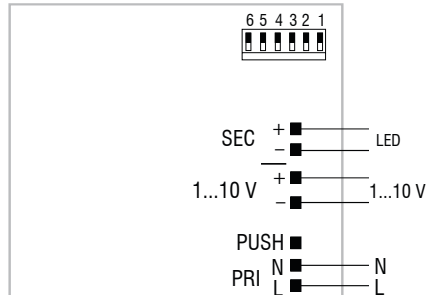
**BUILT-IN SCREW FIXING** Weight - gr. 100 / 3,50 oz. Pcs - 50



### Wiring diagram -



PUSH diagram



1...10 V diagram

### Operation Mode

- Light regulation 0/0,5 - 100 % by means of PUSH function, 1...10 V interface (I=0,35 mA) or 100 Kohm potentiometer.
- Light regulation 0/0,5 - 100 % by means of PUSH function (L mains voltage: 170 Kohm):
  - a short push to turn on and off;
  - a longer push to increase or decrease light intensity;
  - regulation automatically stops at minimum and maximum values;
  - for another on, regulation or off command, release the push button and give the desired command again.
- Maximum length of the cable, from push button to last driver, must be max. 15 m / 49 ft. In case of applications where the cable is longer than 15 m / 49 ft, keep this separate from the 110 - 240 Volt mains cable.
- ATTENTION: only use normally open push buttons with no incorporated warning light.
- Specific dimming terminal connection with a 1...10 Vdc electronic potentiometer (1...10 V local dimming, double insulation required for external connection).