

## DALIMINIJOLLY LC

Direct current dimmable electronic drivers with DIP-SWITCH

Made in Europe



constant  
CURRENT

constant  
VOLTAGE



SELV



DC MINIJOLLY LC DALI



DC MINIJOLLY LC DALI BI



**Rated Voltage**  
110 ÷ 127 V<sup>(2)</sup>  
220 ÷ 240 V

**Frequency**  
50...60 Hz

**AC Operation range**  
99 ÷ 264 V

**DC Operation range**  
176 ÷ 280 V

**Power**  
0 ÷ 20 W

**Maximum current output ripple**  
≤ 3%<sup>(1)</sup>

Article	Code	P out W	V out DC	I out DC	n° LED max. <sup>(1)</sup>	V out max.	ta °C	tc °C	λ max. Power Factor	η max. Efficiency <sup>(1)</sup>	
<b>DALI MINIJOLLY LC</b>	122395	<b>Constant current output</b>					59	-25...+50	75	0,95	>88
<b>DALI MINIJOLLY LC BI</b>	122396	5,4 (5,4 <sup>(2)</sup> )	10...54	100 mA cost.	16...18						
		7,5 (7,5 <sup>(2)</sup> )	10...54	140 mA cost.	16...18						
		10 (10 <sup>(2)</sup> )	10...53	180 mA cost.	16...18						
		12 (12 <sup>(2)</sup> )	10...53	220 mA cost.	16...18						
		14 (14 <sup>(2)</sup> )	10...52	260 mA cost.	16...18						
		16 (15 <sup>(2)</sup> )	10...52	300 mA cost.	15/16						
		18 (15 <sup>(2)</sup> )	10...51	340 mA cost.	15/16						
		20 (15 <sup>(2)</sup> )	10...51	380 mA cost.	15/16						
<b>Constant voltage output</b>											
		9 (9 <sup>(2)</sup> )	24 cost.	0,38 A max.	-	-					

<sup>(1)</sup> Referred to V<sub>in</sub> = 230 V, 100% load

### Reference Norms

EN 50172 (VDE 0108)  
EN 55015  
EN 61000-3-2  
EN 61000-3-3  
EN 61347-1  
EN 61347-2-13  
EN 61547  
EN 62384  
VDE 0710-T14

### Features

- Multipower driver supplied with dip-switch for the selection of the output current.
- IP20 independent driver, for indoor use (DALI MINIJOLLY LC).
- Class II protection against electric shock for direct or indirect contact (DALI MINIJOLLY LC).
- Driver for built-in use (DALI MINIJOLLY LC BI).
- It can be used for lighting equipment in protection class I and II (DALI MINIJOLLY LC BI).
- Active Power Factor Corrector.
- Current regulation ±5 % including temperature variations.

- Input and output terminal blocks on the same side (wire cross-section up to 1,5 mm<sup>2</sup> / AWG15).
- Clamping screws on primary and secondary circuits for cables with diameter: min. 3 mm - max. 8 mm (DALI MINIJOLLY LC).
- Protections:
  - against overheating and short circuits;
  - against mains voltage spikes;
  - against overloads.
- Thermal protection = C.5.a.
- Double output impedance for use in household electrical appliances.



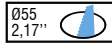
## DALI MINIJOLLY LC

Direct current dimmable electronic drivers with DIP-SWITCH

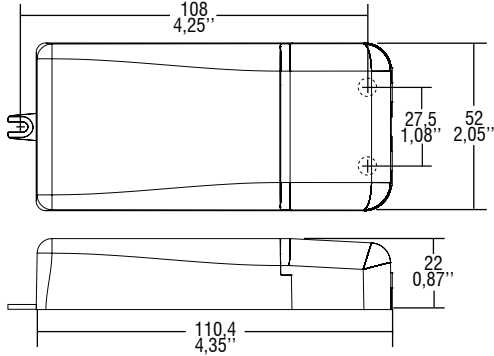
Made in Europe



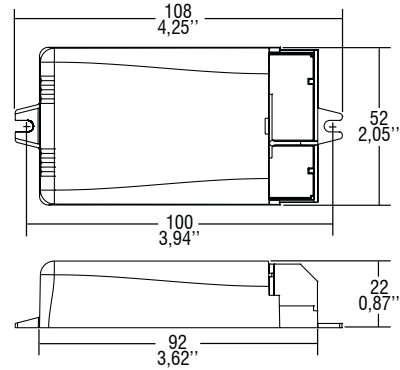
**IP 20**



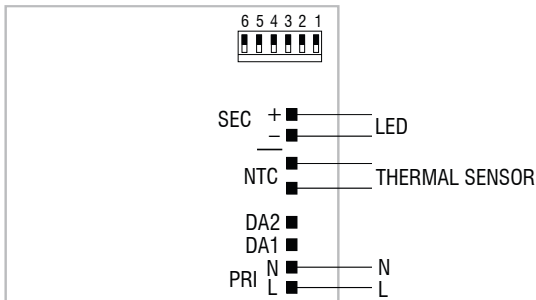
Weight - gr. 108 / 3,50 oz.  
Pcs - 50



Weight - gr. 100 / 3,50 oz.  
Pcs - 50



### Wiring diagram -



DALI diagram

### Operation Mode

- Features DALI dimming (0/0,5 - 100 %):
  - memory function for sets or light groups;
  - recall of stored functions;
  - compatible with standard DALI interfaces.