

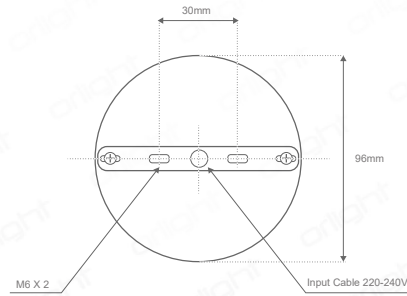
BELLA - Designer Antique Bronze Pendant Light



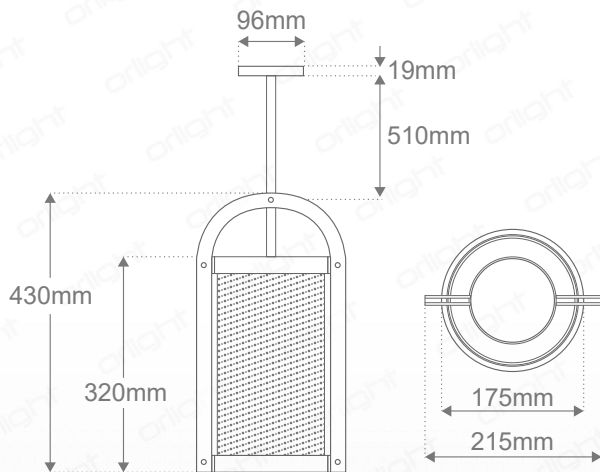
Description

This designer pendant finished in antique bronze is suitable for any upscale interiors or elegant areas, lobbies and atriums. Suggested light source is a stylish E27 LED filament light lamp that produces an attractive glow consuming only 6 watts, with a CRI>80 to ensure light quality.

Fixing Details



Dimension



Specifications

Lamps	E27 Lamp (Supplied Separately - Dimmable)
Dimming Options	Mains Dimmable
Power Consumption	6W
Voltage	Max 240V
Light Distribution	Wide
Colour Temperature	2700K
Light Output ~	720lm
lm Per Watt ~	120lm/W
Binning	2 Step MacAdams Ellipse
Chip Life	L70 >30'000hrs
CRI	>80
Beam Angle	290°
IP Rating	IP20
Installation Info	Surface Mounted
Weight	1.5Kg
Finish	Antique Bronze

Colourmetrics (Suggested Light Source)

2700K

R1	R2	R3	R4	R5	R6	R7	R8
79	89	98	79	78	86	84	59
R9	R10	R11	R12	R13	R14	R15	
8	75	77	65	81	99	71	

Product Coding: Example: BELLA-BZ

PREFIX	FINISH
BELLA	BZ (ANTIQUE BRONZE)

Suggested Light Source Product Coding: Example: TD-LED-FIL-6W-2700K-D

CODE	WATTAGE	COLOUR TEMPERATURE	DIMMING
TD-LED-FIL	6W	2700K	D - (MAINS DIM)