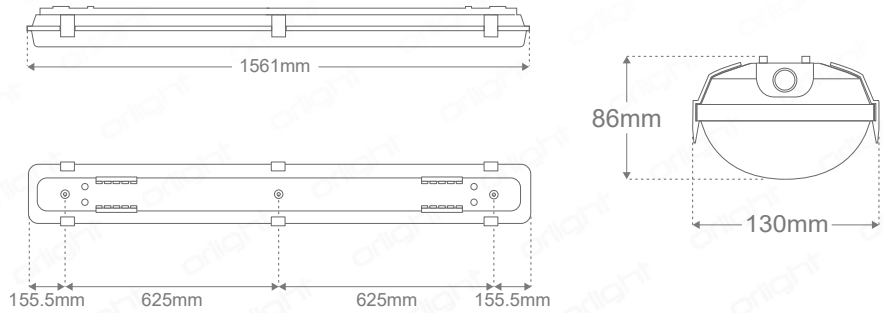


## ORLWP5-LED - Single LED 5FT Weather Pack

### Description

Orlight IP65 rated LED weather packs are ideal for back of house areas, car parks, storage areas, warehousing, under canopy, walkways and general industrial use. Featuring a high efficacy Tridonic LED card, body and diffuser constructed from injection moulded Polycarbonate. Supplied with stainless steel clips for added durability. Emergency option available. *Do not connect battery supply until 220/240V A.C. supply is permanently fed. Allow 24 hours charge before running lamp in emergency mode.*

### Dimensions



### Specification - Standard (Selected configuration will be Integral)

Light Source	Tridonic LED Card			
Dimming Option	Switched; DALI; DSI; SwitchDIM; Corridor Function (Selected configuration will be Integral)			
Current	200mA	275mA	325mA	375mA
Power Consumption	36W	50W	60W	69W
Voltage	240V	240V	240V	240V
Colour Temperature	4000K	4000K	4000K	4000K
Light Output	5124lm	6808lm	7947lm	9133lm
lm Per Watt	142lm/W	136lm/W	132lm/W	132lm/W
CRI	>80	>80	>80	>80
Binning	3 Step MacAdams Ellipse			
Chip Life TM-21	L70/F10 > 72,000 hours L80/F10 > 72,000 hours			
Ambient Temperature	-40°C ~ 65°C			
IP Rating	IP65			
Weight	2.5kg (standard); 3.5kg (emergency option)			
Material	Polycarbonate / Stainless Steel Clips			

### Colourmetrics

4000K



R1	R2	R3	R4	R5	R6	R7	R8
82	89	94	83	82	84	86	66
R9	R10	R11	R12	R13	R14	R15	
11	74	82	62	84	97	76	

### Specification - Emergency Mode (Selected configuration will be Integral)

Battery Pack	ACCU-NiCd 4A 55 4 Cell
Light Output~	698lm
Battery Life	> 3 hours

Product Coding: Example: ORLWP5-60W-LED-EM

CODE	WATTAGE	LIGHT SOURCE	CONTROL OPTION	EMERGENCY OPTION
ORLWP5	36W	LED	ND - (SWITCHED)	EM-EMERGENCY
	50W		DALI	EM-EMERGENCY
	60W		DSI	EM-EMERGENCY
	69W		CORRIDOR FUNCTION	EM-EMERGENCY