

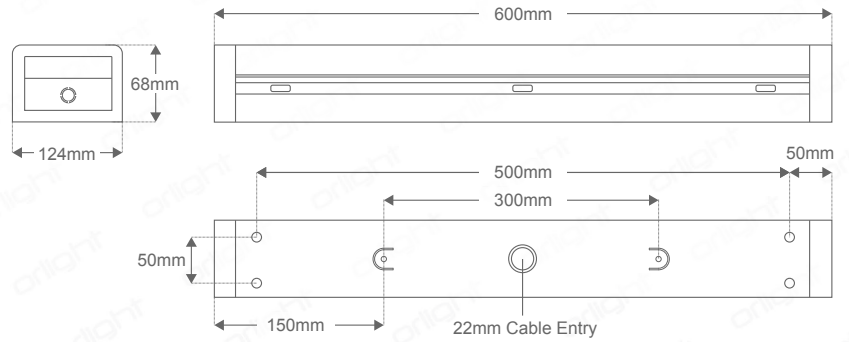
## ORLLEDBT-600 - 2FT Linear LED Luminaire



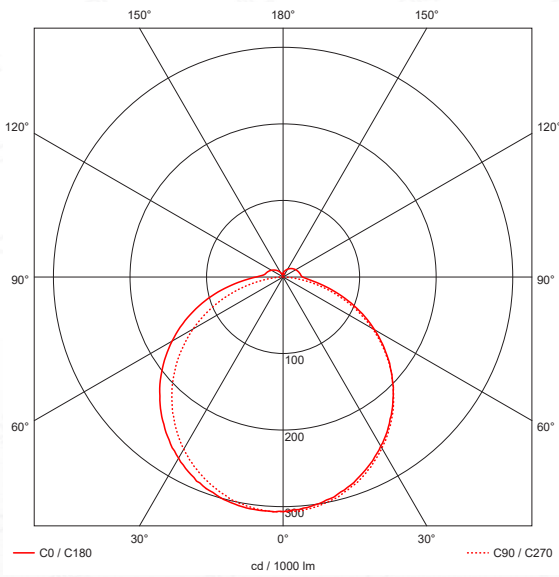
### Description

Linear LED fitting featuring Aluminium construction finished in white RAL9016 and an opal diffuser. Integral LED driver with configurations to accommodate 1-10V, DALI and emergency options. This 2FT LED luminaire can be surface mounted or suspended depending on the desired application. Do not connect battery supply until 220/240V A.C. supply is permanently fed and lamp fitted. Allow 24 hours charge before running lamp in emergency mode.

### Dimensions



### Polar Report



### Specifications

Light Source	2835 SMD LED
Dimming Options	Switched; 1-10V; DALI (Selected configuration will be Integral)
Power Consumption	21W
Current	500mA
Voltage	240V
Colour Temperature	4000K
Light Output ~	1947lm
lm Per Watt ~	93lm/W
Beam Angle	120°
CRI	>80
Chip Life TM-21	50,000 hours
Ambient Temperature	-20°C - +45°C
IP Rating	IP20
IK Rating	IK08
Weight	2Kg
Installation Info	Surface Mounted; Suspended (order separately)
Material	Aluminium body with Polycarbonate Diffuser
Finish	White RAL9016

### Colourmetrics

4000K

R1	R2	R3	R4	R5	R6	R7	R8
81	90	96	82	82	86	86	63
R9	R10	R11	R12	R13	R14	R15	
5	77	81	63	84	98	74	

### Specifications - Emergency Mode (Selected configuration will be Integral)

Battery	3.6V 4.5Ah Ni-Cd
Light Output ~	348lm
Battery Life	> 3 Hours

Product Coding: Example: ORLLEDBT-600-WH-40K-DALI

CODE	FINISH	COLOUR TEMP	DIMMING OPTION	EMERGENCY OPTION	ORDER SEPERATELY
ORLLEDBT-600	WH - (RAL9016)	40K	ND - (SWITCHED)	EM	ORLLEDSUSPKIT-LOOP
			1-10V	EM	
			DALI	EM	