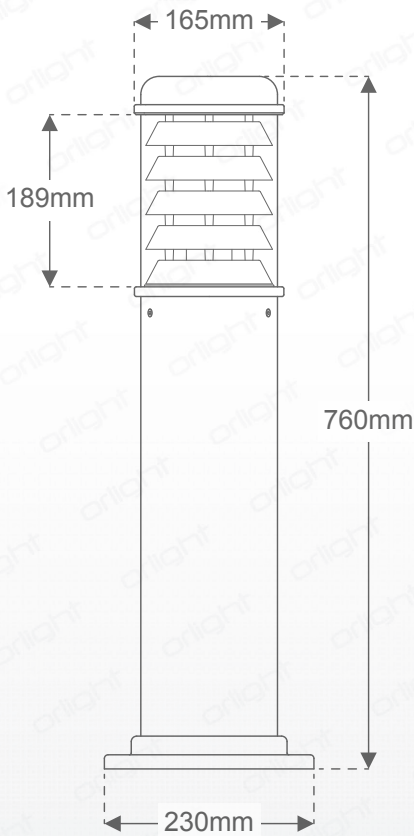


## ORL4570 - Ground Mounted Exterior Bollard



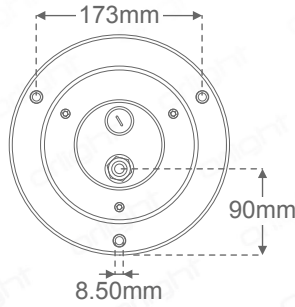
### Dimensions



### Description

Ground mounted exterior bollard constructed from Aluminium. Complete with louvre and transparent polycarbonate diffuser. Integrated universal E27 lamp base suitable for max 100W lamp types or low energy retrofit equivalents.

### Fixing Details



### Standards



### Specifications

Lamp Type	E27 Lamp (Suggested Light Source - TDE27LED-10W-3000K)
Construction	Aluminium Alloy / Polycarbonate Diffuser
IP Rating	IP65
Weight	4627g
Finish	Matt Black RAL9011

### Suggested Light Source - TDE27LED-10W-3000K

Chipset	SMD
Dimming Options	Switched
Power Consumption	10W
Voltage	240V
Colour Temperature	3000K
Light Output ~	1074lm
lm Per Watt ~	107lm/W
CRI	>80
Beam Angle	310°
Binning	2 Step MacAdams Ellipse

### Colourmetrics (Suggested Light Source)

3000K							
R1	R2	R3	R4	R5	R6	R7	R8
80	92	94	79	81	91	80	56
R9	R10	R11	R12	R13	R14	R15	
2	82	78	74	83	98	72	

Product Coding: Example: ORL4570

CODE

ORL4570

Suggested Light Source Product Coding: Example: TDE27LED-10W-3000K

CODE

TDE27LED

WATTAGE

10W

COLOUR TEMP

3000K