

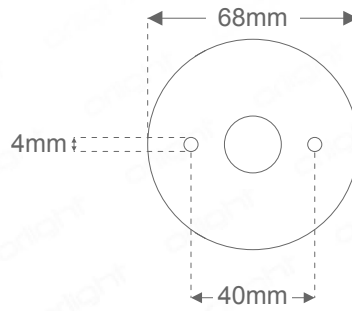
## ECLIPSE-A-BL - Single Adjustable Wall Light

### Description

The Eclipse Range is a collection of wall and ceiling lights compatible with Max. 3W GU10 lamp. Constructed from Aluminium and finished to RAL9005 Matt Black. With an IP54 rating, they are ideal for residential, studio and office environments.

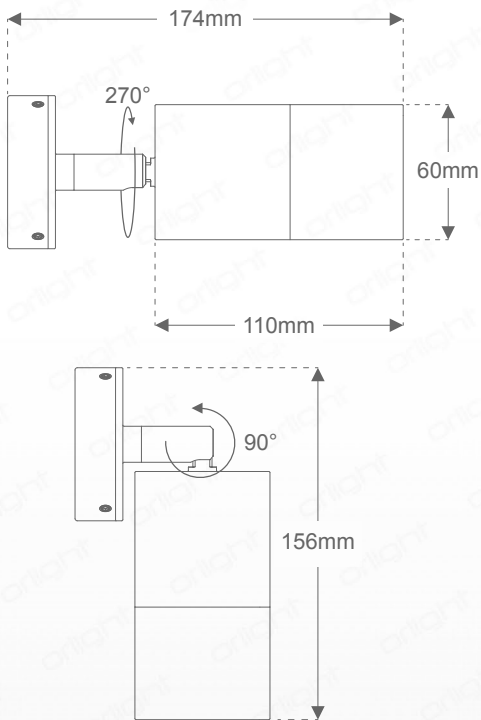
### Fixing Details

### Standards



### Dimensions

### Specifications



<b>Suggested Light Source</b>	Max. 3W GU10 Lamp
<b>Power Consumption</b>	Max. 3W
<b>Voltage</b>	Max. 240V
<b>Tilt</b>	90°
<b>Rotation</b>	270°
<b>IP Rating</b>	IP54
<b>Installation Info</b>	Surface Mounted
<b>Weight</b>	315g
<b>Finish</b>	Aluminium - Matt Black - (RAL9005)

Product Coding: Example: ECLIPSE-A-BL

CODE	ADJUSTABLE	FINISH
ECLIPSE	A	BL - (BLACK - RAL9005)