

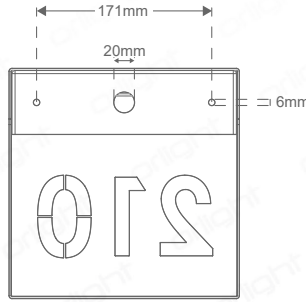
ORL4AB - Backlit Door Number Light



Description

This laser cut door number light is perfect for accentuating wall spaces whilst providing a back lit glow effect. An integrated LED light source ensures longevity and efficiency. A direct 240V input negates the need for remote drivers facilitating simple installation. This fitting allows for a maximum of three characters.

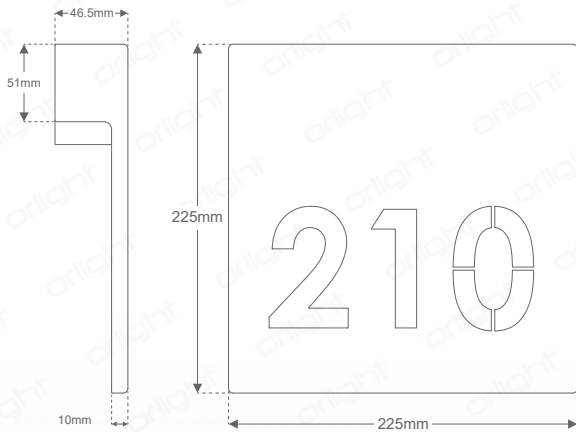
Fixing Details



Standards



Dimensions



Specifications

Chipset	SMD
Dimming Options	Switched - Integral Driver
Power Consumption	2W
Voltage	240V
Colour Temperature	3000K
Light Output ~	105lm
lm Per Watt ~	53lm/W
IP Rating	IP20 - Indoor use only
Finish	Matt Black - RAL9005

Product Coding: Example: ORL4AB-BL-3000K

CODE

ORL4AB

FINISH

BL - (MATT BLACK)

COLOUR TEMP

3000K