

# COMMERCIAL LIGHTING CASE STUDY

PARK HOUSE - 116 PARK STREET LONDON W1K 6AF

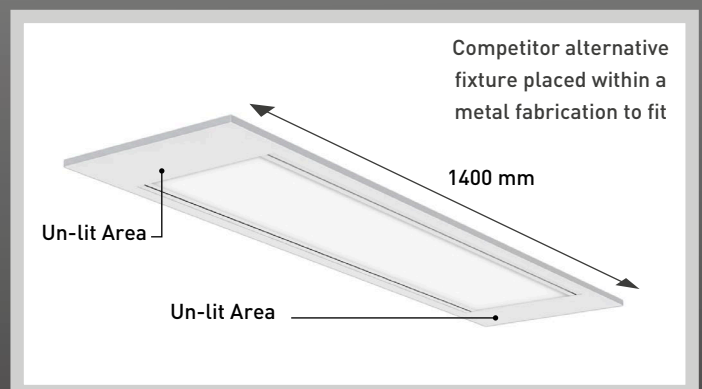
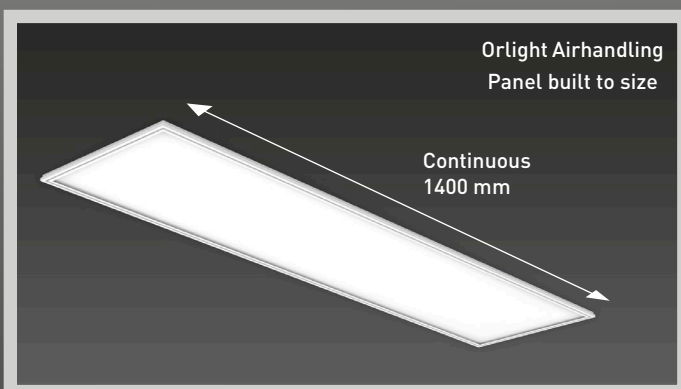
Orlight is proud to have supplied this fast paced CAT A commercial fit-out with over **3500** DALI addressable LED fixtures during a fast track 12 week program.

Complete supply of all fixtures levels 2,3,4,5,7,8 within 9 weeks of receipt of order. 3500 fixtures in total.



## THE ORLIGHT ADVANTAGE

Our SASI LED panels are built in accordance to the ceiling ensuring an uninterrupted and seamless effect. We built two customised sizes for Park House 1050x300 and 1400x300.



OUR SASI LED PANELS ARE BUILT FOR A PRECISE FIT. WE CAN MANUFACTURE ANY SIZE.



# COMMERCIAL LIGHTING CASE STUDY

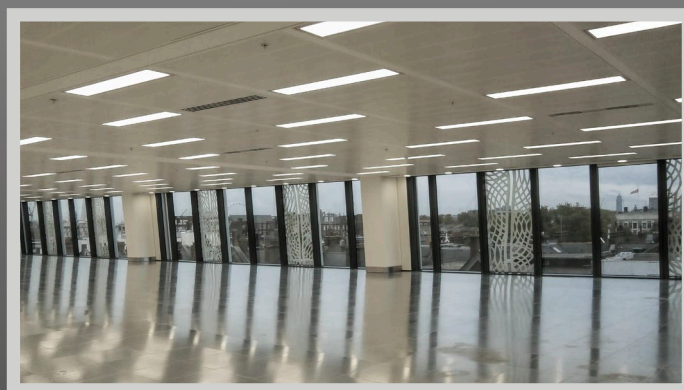
PARK HOUSE - 116 PARK STREET LONDON W1K 6AF



SASI 1400 x 300



SASI 1050 x 300



SASI 1400 x 300