

# orlight<sup>®</sup>

.....  
FROM SOURCE TO SITE

OUR OBJECTIVE... to manufacture and provide the highest specification lighting products  
at dramatically reduced costs whilst negating product lead in time.

This is our unique FROM SOURCE TO SITE<sup>®</sup> strategy.

# CONTENTS

---

INTRODUCTION	04
AMENITY LIGHTING	24
EXTERIOR LIGHTING	66
BESPOKE LIGHTING	150

## HEAD OFFICE

Victor Way | Radlett Road | Colney Street | St Albans | AL2 2FL

T - 01923 851 890

## DESIGN STUDIO & SHOWROOM

The Plaza | 535 Kings Road | Chelsea | London | SW10 0SZ

T - 020 7352 1799

orlight®  
FROM SOURCE TO SITE



## ALL AREAS COVERED

We can take care of your lighting requirements, with our complete and varied range of architectural products.





# orlight<sup>®</sup>

FROM SOURCE TO SITE

## Your Turn-key Lighting Supply Partner

Established in 1997, Orlight is a long-standing dominant force within the architectural lighting market. As our mission statement indicates, we pride ourselves on adding value to our clients' propositions. We provide unparalleled lighting products and services delivered in a unique manner to our ever changing and exciting industry sector. Our business model places us, and subsequently our clients, at an advantage - we are manufacturers completely and 100% in command of our supply chain. Quality, research and development, product innovation, testing, procurement, is all down to us. With no third parties involved throughout our manufacturing process, we are able to deliver higher quality products at reduced prices. Substantial stocks held for dispatch within the UK and Europe means that no one is left waiting. Our ability to bulk deliver directly to site at a moment's notice is a competitive advantage to our esteemed clients.

## UK Based Manufacturer



FROM SOURCE TO SITE...

# orlight®

FROM SOURCE TO SITE

## Key facts about Orlight

- ◆ Established in 1997
- ◆ Manufacturers of architectural lighting
- ◆ Constantly pushing boundaries with LED
- ◆ In-house lighting design and test facilities
- ◆ In-house product design
- ◆ Committed to providing value
- ◆ UK production department
- ◆ NICEIC accredited in-house aftercare
- ◆ UK stock holding of £7 million plus
- ◆ FORS Gold Accredited fleet
- ◆ Credit Accounts

## Adding Value to your Project

### FROM SOURCE TO SITE explained...

Our unique manufacturing and procurement strategy allows us to provide enhanced product quality whilst reducing costs. Our direct route to market provides our clients with further savings, whilst our UK stock holding ensures product lead-times are negated.

In addition, we offer a complimentary\* design service.

We call this competitive edge

### “FROM SOURCE TO SITE”

\*An FOC service utilising our lighting design team to all Account holders with qualifying projects.

IN BUSINESS FOR 19 YEARS

80+ OPERATIVES AT YOUR SERVICE

OVER £7 MILLION UK STOCK HOLDING

IN-HOUSE TECHNICAL DEPARTMENT

WORKING DIRECT TO REDUCE COSTS

IN-HOUSE EMERGENCY CONVERSIONS

FORS GOLD ACCREDITED TRANSPORT DEPARTMENT

IN-HOUSE LIGHTING DESIGN DEPARTMENT

60 DAYS END OF MONTH CREDIT

IN-HOUSE NICEIC COMPETENT AFTERCARE DEPARTMENT

IN-HOUSE PRODUCT RESEARCH + DESIGN DEPARTMENT

VALUE ENGINEERING WHILST ENHANCING YOUR SPECIFICATION

IN-HOUSE PRODUCT TESTING TO LM79

YOUR COMPLETE LIGHTING SOLUTION PROVIDER IN EVERY WAY

## Market Sector and Credibility

Orlight is primed to deliver on a substantial scale to new residential developments. At the request of our client base, having traditionally supplied apartment lighting, Orlight has expanded into shell & core and exterior lighting to ensure value is realised throughout an entire project. Orlight has become a turnkey lighting supplier with a proven reputation built over 18 years. During this period Orlight has developed long-standing relationships with major developers and construction firms alike.

Further to residential developments, Orlight has been approached by major hotel groups such as Hilton, Marriot, and Park Plaza, with these live projects extending as far afield as Russia and China.

With such an impressive clientele, Orlight has now developed a small but rapidly expanding commercial product range. Orlight has been able to adapt our high specification LED technology to products that are not only viable for commercial purposes but are aesthetically attractive. Due to Orlight's architectural lighting background and discerning client base, important residential performance values such as colour render and MacAdams ellipse binning have not been overlooked. This ensures the utmost quality of light as well as consistency. Great care has been taken to ensure Orlight's commercial products are considered first class offerings.

## Value Proposition and Deliverability

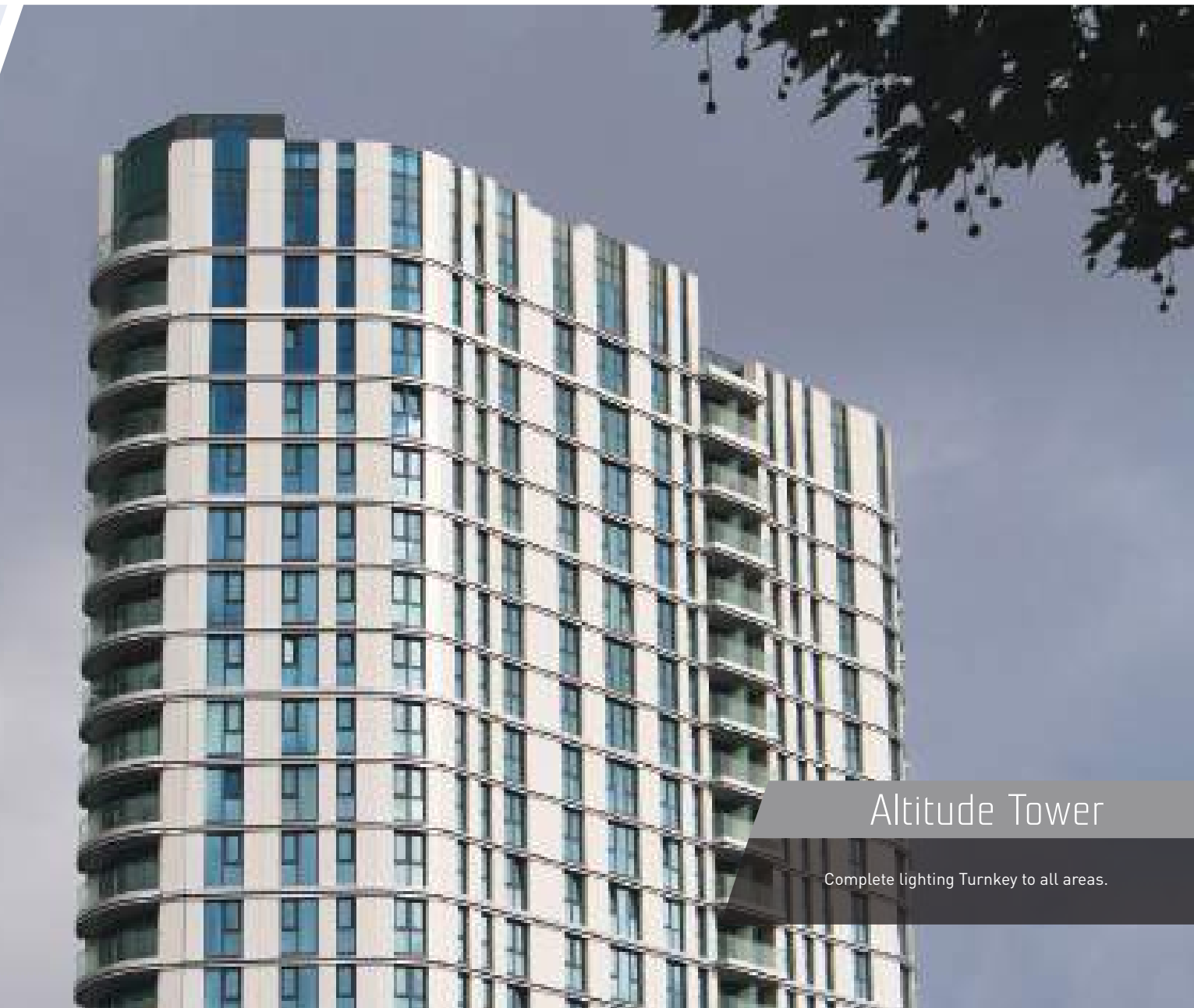
To invoke a streamlined process, Orlight is happy to offer M&E Contractors, Electrical Installers and Construction Companies a direct credit account, making products a direct from source to site offering. Due to its expansion, Orlight now have credit account facilities available for North America as well as the Middle East. Orlight is eager to help with cost control and reductions by implementing in-house services and is therefore happy to eliminate 3rd parties from its supply/manufacture; Orlight is equally happy for its clients to do the same. Substantial stocks in excess of £7M are held for dispatch within the UK and ready for delivery.

This ease of access means that Orlight does not keep its clients waiting. Orlight is also one of a select few companies within the construction sector to be awarded FORS Gold Accreditation - the pinnacle of endorsements in regards to the quality of its operation, which oversees a growing fleet of 24 vehicles. The FORS scheme reassures clients that Orlight is a high performing, forward thinking operator, constantly striving to become a safer, greener, and more efficient Source to Site service provider. Orlight's reliability and control over its products is what sets it apart and puts the company in such high demand.



South Bank Tower

Complete lighting Turnkey to all areas.



Altitude Tower

Complete lighting Turnkey to all areas.



# About Us

## Investing for the Future

With our clientele growing, so too is the business. Orlight is constantly investing in the backbone of its organisation by actively seeking a diverse talent pool, ready to tackle all the challenges of an expanding business. It's exciting to see the faces of Orlight multiply, and witness their already established skills in action within the company. A linear employment structure allows Orlight to build itself like a skyscraper and, always seeking to strengthen its foundation. A strong example of this is seen in Orlight's FORS Gold Accreditation. Orlight's adopted FORS training and tools to improve our logistical policies and procedures.

The performance management toolkit has helped the company set targets in order to reduce its carbon footprint while improving its MPG.

Orlight are invested in its employees, who in turn remain invested in its clients. Increased office and warehouse space, and an ever evolving product list, means that Orlight can continue providing an enthusiastic and energetic work environment.

## The Complete Project from Concept to Delivery

As a veteran within its industry and over 200 turnkey projects completed, Orlight has rooted its unique source to site business model in value, product quality, and efficiency. 100% command of its supply chain enables Orlight to respond rapidly to a multitude of client requests and the company is proud to have worked on some of the most ambitious and high-end projects across London and beyond. This has included luxury apartments, forward thinking commercial developments, gyms and spas, and all manner of exterior and interior locations.

Any potentially mundane developments, such as sub-level car parks or stair cores, are immediately uplifted by its tailor made products. An ability to adapt and evolve is what makes Orlight so sought after and its grown immensely due to the unwavering control over the entire manufacturing process.

A variety of in-house departments provide the complete turnkey lighting solution from design through to supply. Orlight works with its clients' initial lighting designs to manufacture bespoke products and continue to provide technical assistance and aftercare support once the project is complete.



## Saffron Tower

Complete lighting Turnkey to all areas.



## Lexicon

Complete lighting Turnkey to all areas.



# Bespoke Manufacturing

## Get exactly what you are looking for...

We can manufacture bespoke solutions specific to your project, utilising our extensive manufacturing capability to provide the ultimate value engineered solution.

### ▼ Eagle House

The Eagle features a great example of Orlight's project-specific bespoke manufacturing capabilities. As well as supplying the general internal and external lighting for this elegant landmark, we created and supplied OVO; a 2.5 Meter wide, IP68 rated ceiling fixture for the Spa area. The floor area was also illuminated by ORL2736, which had been finished in black for this project. For the lobby area we had to engineer the unique MAYA luminaire to the client's specification.

### Park House ▶

Park House, located in the heart of London's Oxford Street, consists of high-end retail units, luxury residential apartments and some of the most modern office spaces in the World. Orlight is proud to have manufactured and supplied over 3500 bespoke LED Luminaires in DALI protocol within 9 weeks of receipt of order.



Page 182

Bespoke SASI Air Handling Luminaire  
Matt White finished Aluminium surround with  
PMMA diffuser.

Page 438



OVO is an elegant ceiling fixture.  
The rings are covered either in silk or in pre-laminated cotton.  
The warm toned fabric shades create a soothing and inviting atmosphere.

## The Orlight Difference

Orlight is driven to work alongside its clients, adding value through a complete FROM SOURCE TO SITE service. We can assist with initial planning and design.

**We can manufacture bespoke items to suit specific requirements.**

High output linear LED fixture with integral driver. Light source creates a diffused lighting effect eradicating LED trail. Can be surface mounted, suspended or recessed.



Page 192

### ▼ Goodman's Field Gym

Bespoke Linear Solutions





## Orlight Operations

Orlight has 40,000 square feet of warehousing and distribution in addition to its existing centrally located London showroom. Orlight's headquarters is based in Hertfordshire, with easy access to sites all around London.

The new facility incorporates a state of the art Light Lab equipped with the latest testing machinery, as well as updated in-house engineering and production facilities. Further investment in its production and logistical capabilities gives Orlight 100 percent control over its operations to effectively deliver from Source To Site.



Over **£7M** UK Stock Holding



## In-House Logistics

Orlight's central distribution point is a hub of activity within the company. A large stock holding, filled with various product configurations, leave our logistics team primed to deliver. Investment in our personnel, warehouse, fleet, vehicle tracking and management systems, and ever improving policies and procedures, have turned Orlight into the smooth running operator that it is today.

Orlight has expanded its logistic capabilities with the acquisition of its first 7.5T Isuzu curtain sided lorry. Our new lorry is a welcome addition to the Orlight fleet of 24 vehicles and hopefully the first of many more to come. This underlines our commitment to our Clients as a complete FROM SOURCE TO SITE lighting solution provider. We take pride in keeping everything in-house thus providing a more efficient and precise service, with same day deliveries being a big hit with many contractors. We can now deliver by the box, pallet, lockable cage or even container.

We aim to exceed our Client's expectations in every what

## FORS Gold Accreditation

Orlight is proud to announce that it is now one of a select few companies within the construction sector to be awarded FORS Gold Accreditation - the pinnacle of endorsements in regards to the quality of Orlight's operation that oversees a growing fleet of 24 vehicles. The FORS scheme reassures clients that Orlight is a high performing, forward thinking operator, which is constantly striving to become a safer, greener, and more efficient Source to Site service provider.

The rigorous requirements to accomplish this accreditation include professionally trained drivers and logistical management to an exceptional standard, backed up with documentation to ensure complete accountability.

FORS has provided both the training and tools that have improved Orlight's policies and procedures. The performance management toolkit has helped the company set targets in order to reduce its carbon footprint while improving its MPG.

Gaining FORS Gold Accreditation shows how dedicated Orlight is as a company to raising road safety and delivery standards. The company will continue working at FORS' highest standard to help make the roads safer for everyone who uses them, while continuing to provide an elite, informative service from its distribution facilities.





# In-house Testing – Quality Assurance



Our investment in the latest advanced photometric equipment enables us to test our products on a batch by batch basis.

With each lamp order, on request, we can supply a complete test report which gives you details such as colour temperature, CRI, Flux, Efficacy, and power consumption.

Our latest generation goniophotometer provides detailed information on both photometric and electrical parameters as well as creating LDT files, we use this technology to generate even more detailed and in depth datasheets for our entire lighting portfolio.

This latest addition to our in house testing facility reduces the normally painful and drawn out process of creating LDT files, which can take up to 3 hours. We can now produce an accurate LDT file within 60 seconds, making the information more accessible within a shorter timeframe.

# Quality, Longevity Testing & Guarantees

Orlight ensures that the highest **AQL standards** are met across the product range. Believing in being transparent with its Clients, **LED chip quality and provenance** are broadcasted and not concealed, enabling Orlight to demonstrate the quality of its packages. Longevity tests are conducted to **international LM80 standards**, coupled with further in-house testing which ensures stable thermal management properties. Guarantees may be provided on a specific job basis with associated on site warranties in certain cases. Importantly, Orlight does not award extended guarantees but boasts a workable and

appropriate solution for each project. Orlight is a long-standing and established entity that can uphold guarantees.

Orlight's current LED panel range has the following accreditations / test reports:

- » Spectroradiometer report
- » 3rd Party Certification to IEC & EN standards
- » Goniophotometer reports for light distribution
- » Driver Standards to EN / EC / EMC / UL / RS

# The Test Report Explained...

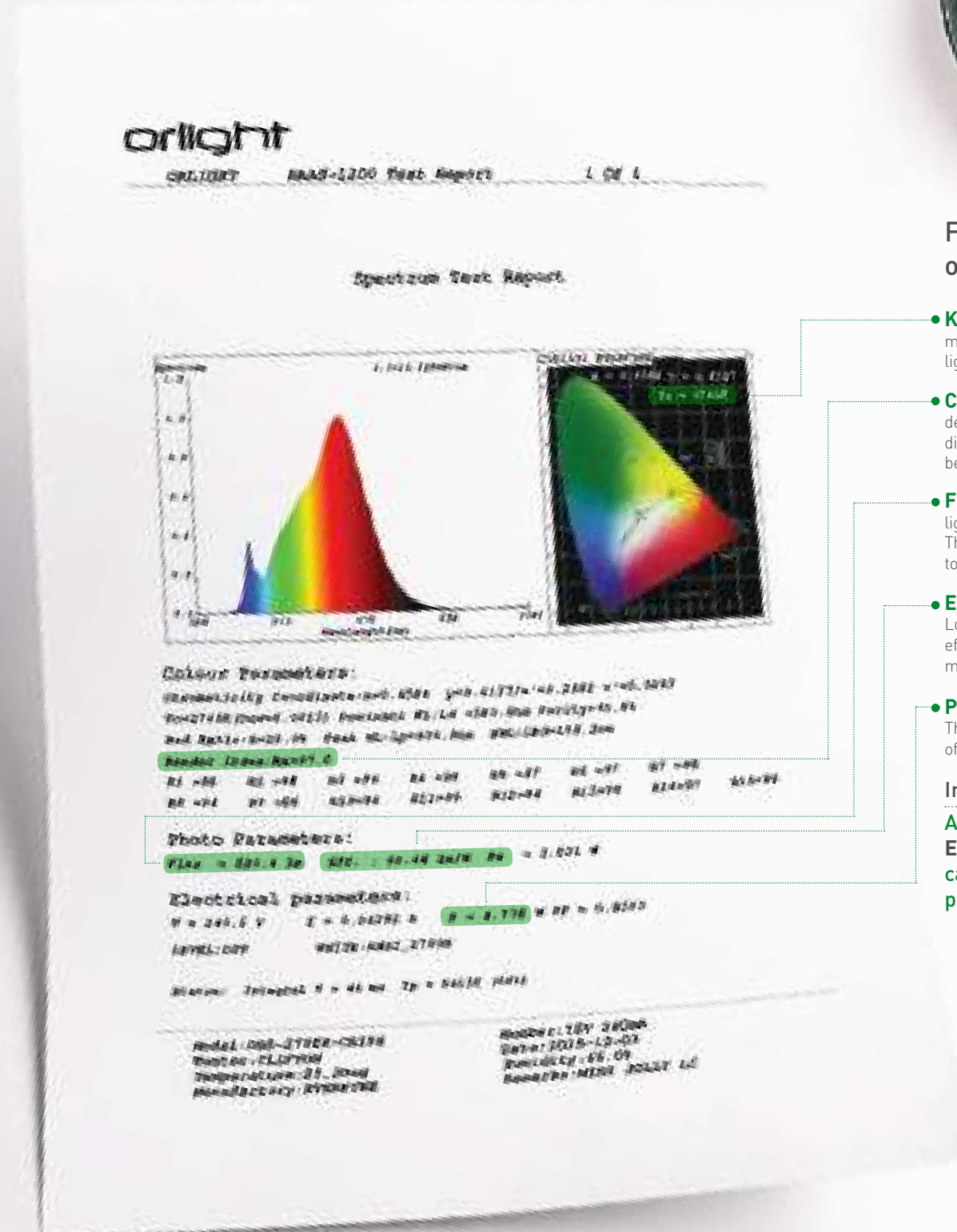


Five critical features to look out for on every test report.

- **Kelvin** - The exact colour temperature measured in Kelvin will show you the colour of light produced.
- **CRI** - A high Colour Rendering Index is desirable since this means less colour distortion. Values in excess of 80 will achieve best results.
- **Flux** - This is the product's total light output measured in Lumens. This figure is important to gauge total light produced.
- **Efficacy** - Flux figure (light output) measured in Lumens divided by power consumption. Certain efficacy criteria is required for Part L. This is a measurement of how efficient a product is.
- **P** - Power consumed. This parameter is the measurement of a product's power consumption.

**Important Note:**

**A test report missing Flux, Efficacy or Power consumed can not prove the product's performance or its efficiency.**



Typical sample report supplied by Orlight.





# Orlight Showroom - Chelsea

## Showroom

Our Central London Showroom showcases the best of lighting and lighting control in the market. The Lighting Design studio is the place to meet and work with our designers in order to experience Orlight's range of products. By appointment only.



## The Lighting Design Process

- CLIENT BRIEFING
- 3D MODELLING FROM PLANS
- PRODUCT SELECTION
- PRODUCT TESTING TO CORROBORATE CALCULATIONS
- LIGHTING CALCULATIONS
- 3D LIGHTING RENDERS
- COMPREHENSIVE LIGHTING REPORT

## Lighting Design

Orlight's design team come together from various professional disciplines - from Architecture, Interior Design and Graphic Design, through to Civil Engineering. Backed by it's outstanding technical department, Orlight can provide designs that are both conceptually innovative and aesthetically pleasing, all whilst meeting client requirements and building regulations - (should they apply).

Orlight's design department works tirelessly from it's Chelsea Design Studio to create solutions for private residential blocks and commercial buildings.

As a company policy, all lighting designs (whether they are calculations or full lighting schemes) uphold CIBSE recommendations. Creating the right atmosphere the teams top priority and to select only the most suited fittings. Our reputation within the market does not allow standards to slip across any of their processes and a discerning client base means that Orlight has to operate with the upmost care and expertise. Orlight's design team take light seriously and always strives to provide the best solution available.

**orlight**<sup>®</sup>  
FROM SOURCE TO SITE

### Orlight Design Studio and Showroom

The Plaza,  
535 Kings Road  
Chelsea  
London  
SW10 0SZ  
020 7352 1799





## Light Middle East

After much anticipation, Orlight is thrilled to shed light on its mission in Dubai. The company's significant presence at the Light Middle East showcase acted as a precursor to establishing a direct base of operations in the UAE, where the value of the business is set for robust growth. As a global hub, Dubai sits at the forefront of unprecedented large scale construction and luxury advancements. Orlight is eager to apply its forward thinking business model across the Middle East's vibrant market.

A strong foundation was laid at the showcase, paving the way for Orlight to exceed expectations in regards to its cross-continental endeavours. Just one day into the exhibition saw Orlight receive major interest in its Lumenflex-XL lines.

In the following two days, Orlight left an impact on everyone present by simply allowing innovative products, personable staff, and an all-encompassing business model, speak for themselves. One of the region's paramount missions has been finding low energy solutions; not only can Orlight offer this, but will continue to build upon a pre-existing international reputation for unparalleled customer service, tailored Turnkey solutions, and added value through complete control of its supply. Orlight has fully embraced the challenges that come with such a rapid overseas expansion and with such a strong start, and is confident in not only meeting, but exceeding all aspirations.

## Orlight in the Saudi Gazette



Situl Jetha, Design Director of Orlight explained:  
*"We offer a complimentary lighting design service to large developments and are able to assist the client and contractors where ever possible. We don't deal with third parties so are able to provide the end client with a huge cost saving and products of a high quality standard."*

◀ Orlight meets with Saeed Mohammed Al Tayer MD and CEO of Dubai Electricity and Water Authority (DEWA)



# Engineering Services

Orlight's Engineering department is an expanding part of the company that brings even more of the production in-house. Orlight's engineers work tirelessly to meet an increased demand for bespoke fixtures, product assembly, finishing, total Plug & Play solutions and emergency conversions.

New UK based testing facilities ensure correct product interfacing and compatibility with relevant controls.

This in-house endeavour continues to advance Orlight's standing as a quality assured operator in complete control of its offering, able to realise our client's unique requests with a swift turnaround and expert manner.

Due to the demand for a wider range of services, Orlight has invested and expanded its technical and engineering divisions to meet our clients needs.

Orlight's experienced engineers work tirelessly to ensure efficient product assembly, manufacture of bespoke products, total Plug and Play solutions and emergency conversions.

Orlight's established engineering department come from a diverse technical pool, creating an all-encompassing foundation of expertise. This employee proficiency, coupled with new UK based testing facilities, enables an even faster turnaround, as well as correct product interfacing and compatibility with all the relevant controls. Backed up by a highly qualified and experienced Aftercare Department further assures quality and support across any project.



# Aftercare

## WHAT IF SOMETHING GOES WRONG?

### ► WE ARE HERE TO HELP



With such a diverse product range and a plethora of large scale projects and bespoke turnkey schemes, it became essential for Orlight to develop an efficient Aftercare Department. Orlight doesn't just manufacture and supply, it also provides a broad range of supporting services to ensure its customers receive the best possible solution. In the event of a product fault during its Defects Period, Orlight will attend site and rectify the fault. It will then provide all the necessary documents including risk assessments, method statements and a closing report once the job is complete. Orlight is built on reputation, so its employees remain invested in their projects until the very end.

### Terms & Conditions:

#### OUR LIABILITIES:

Orlight's Aftercare Department is fully NICEIC competent. Our operatives possess CSCS cards and are SSSTS trained at minimum. In the event of a product fault during an agreed defects period, we will attend site and rectify the fault.

You will receive all the necessary documents including risk assessments, method statements and a closing report once the job is complete.

#### YOUR LIABILITIES:

Whilst we undertake to replace any faulty product, we are unable to carry out any decoration, removal of furniture, removal and reinstatement of wall panels or paving slabs. As such our liability will be limited to product replacement and electrical connections. We will be unable to proceed with any product replacement and installation should the original installation not be in accordance with BS7671. All drivers and accessories must be installed in a serviceable environment with access.

#### WHAT IS CHARGEABLE:

In the event of a faulty installation, we will provide a report detailing installation issues together with a quote for rectification. Please ensure all drivers and connections are in an accessible location as per BS7671.





# FULHAM WHARF PHASE 2

Complete lighting Turnkey for all areas

ROUND LED SURFACE FIXTURE



SQUARE LED SURFACE FIXTURE



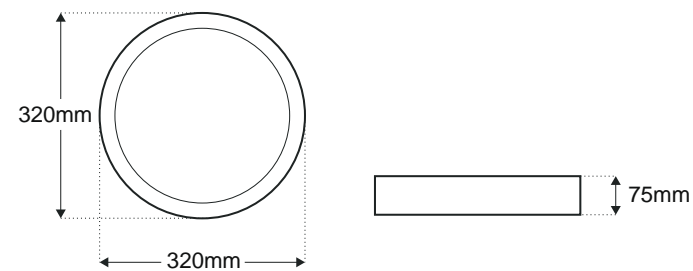
ORL1551LED & ORL1551LED-EM - Round LED Surface Fixture

Surface Amenity fixture comprising of a high output LED chipset suitable for corridors and staircores. Available in 3hr Emergency, Self Test, DALI and Occupancy Detection Mode.

ORL1551SQLED & ORL1551SQLED-EM - Square LED Surface Fixture

Surface Amenity fixture comprising of a high output LED chipset suitable for corridors and staircores. Available in 3hr Emergency, Self Test, DALI and Occupancy Detection Mode.

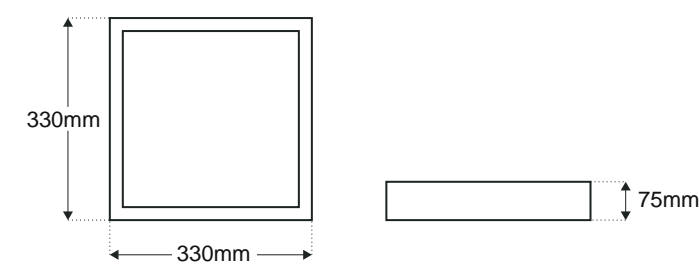
DIMENSIONS:



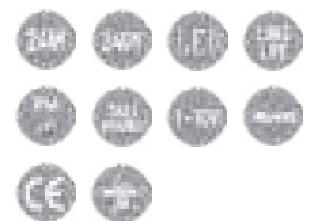
STANDARDS:



DIMENSIONS:



STANDARDS:



PRODUCT CODING

PRODUCT CODE	FINISH	COLOUR TEMPERATURE	WATTAGE	LUMENS	DIMMABLE OPTIONS
ORL1551LED	WH / AL / BL	4000K	24W	1680LM	1-10V / DALI
ORL1551LED-EM	WH / AL / BL	4000K	24W	250LM (in emergency)	1-10V / DALI

PRODUCT CODING

PRODUCT CODE	FINISH	COLOUR TEMPERATURE	WATTAGE	LUMENS	DIMMABLE OPTIONS
ORL1551SQLED	WH / AL / BL	4000K	24W	1680LM	1-10V / DALI
ORL1551SQLED-EM	WH / AL / BL	4000K	24W	250LM (in emergency)	1-10V / DALI



# 1551 SERIES

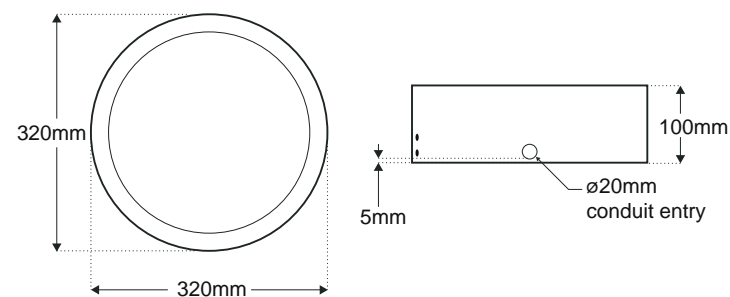
## ROUND LED SURFACE FIXTURES - CONDUIT ENTRY



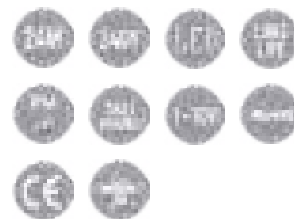
### ORL1551CE-LED - Round LED Surface Fixture - Conduit Entry

Surface Amenity fixture comprising of a high output LED chipset suitable for corridors and staircores featuring dual conduit entry. Available in 3hr Emergency, Self Test, DALI and Occupancy Detection Mode.

#### DIMENSIONS:

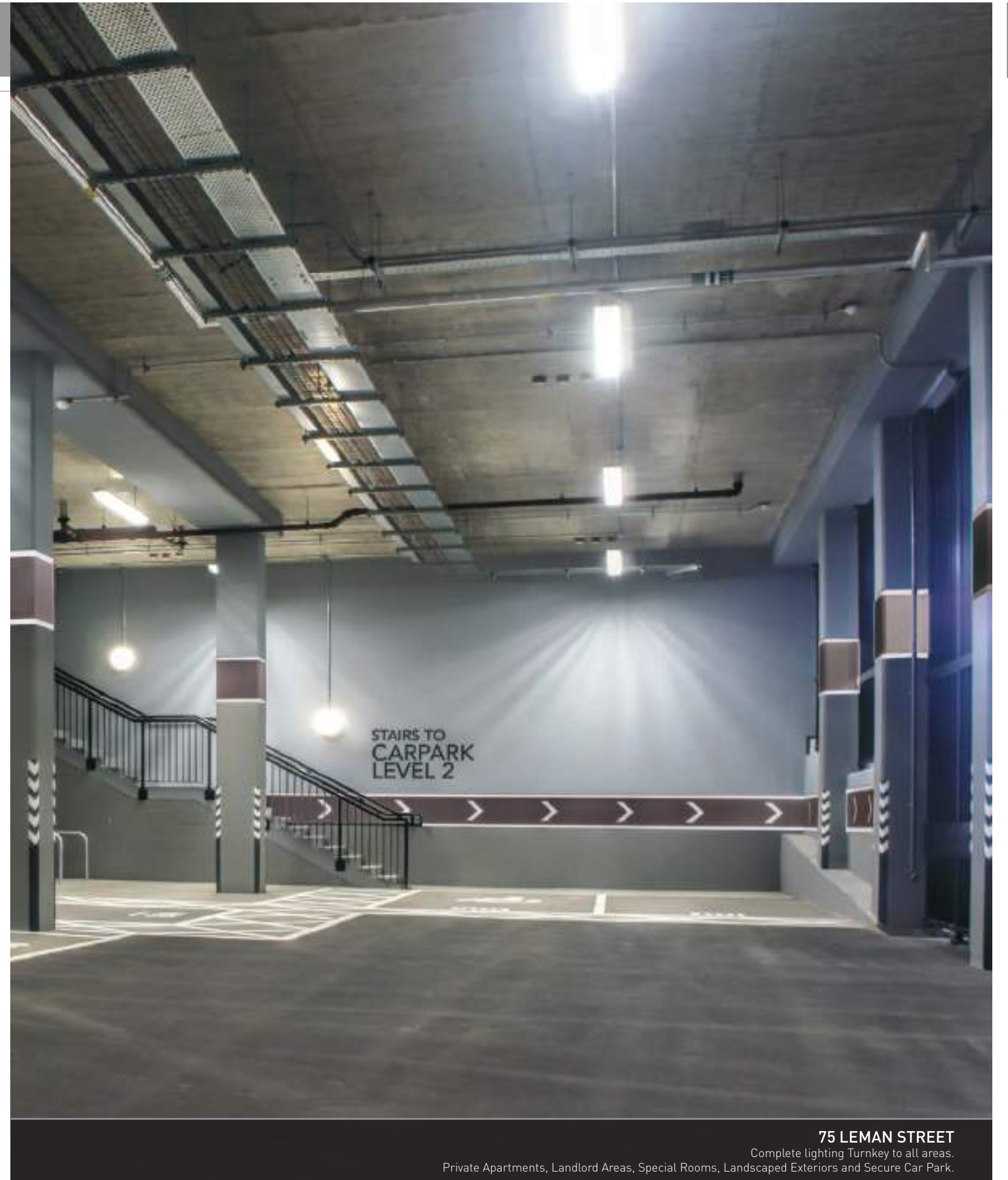


#### STANDARDS:



#### PRODUCT CODING

PRODUCT CODE	FINISH	COLOUR TEMPERATURE	WATTAGE	LUMENS	DIMMABLE OPTIONS
ORL1551CE-LED	WH / AL / BL	4000K	24W	1680LM	1-10V / DALI
ORL1551CE-LED-EM	WH / AL / BL	4000K	24W	250LM (in emergency)	1-10V / DALI



**75 LEMAN STREET**

Complete lighting Turnkey to all areas.

Private Apartments, Landlord Areas, Special Rooms, Landscaped Exteriors and Secure Car Park.

MINI LED SURFACE FIXTURE

MEDIUM LED SURFACE FIXTURE



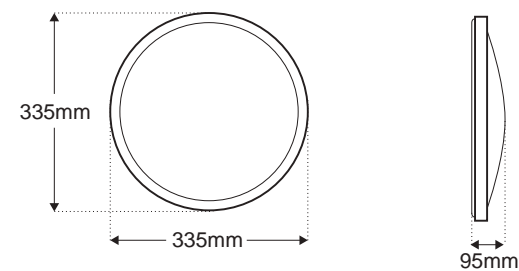
LE020 - Mini Amenity Surface Fixture

Surface Amenity fixture comprising high output LED chipset suitable for corridors and staircores. Available in 3hr Emergency, Self Test, DALI and Occupancy Detection Mode.

LE030 - Medium Amenity Surface Fixture

Surface Amenity fixture comprising high output LED chipset suitable for corridors and staircores. Available in 3hr Emergency, Self Test, DALI and Occupancy Detection Mode.

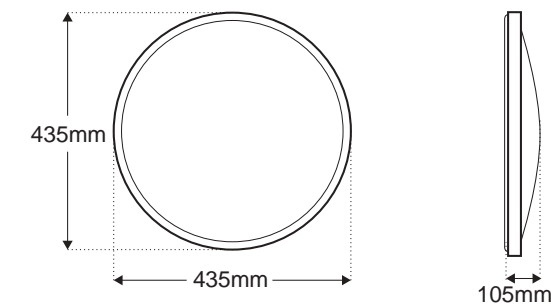
DIMENSIONS:



STANDARDS:



DIMENSIONS:



STANDARDS:



PRODUCT CODING

PRODUCT CODE	FINISH	COLOUR TEMPERATURE	WATTAGE	LUMENS
LE020	WH / CH / SC	4000K	20W	1600LM
LE020-EM	WH / CH / SC	4000K	20W	240LM (in emergency)

PRODUCT CODING

PRODUCT CODE	FINISH	COLOUR TEMPERATURE	WATTAGE	LUMENS
LE030	WH / CH / SC	4000K	30W	2400LM
LE030-EM	WH / CH / SC	4000K	30W	240LM (in emergency)





**THE COURTHOUSE**

Complete lighting Turnkey to all areas.  
Private Apartments, Landlord Areas, Special Rooms and Landscaped Exteriors.

LEO SERIES

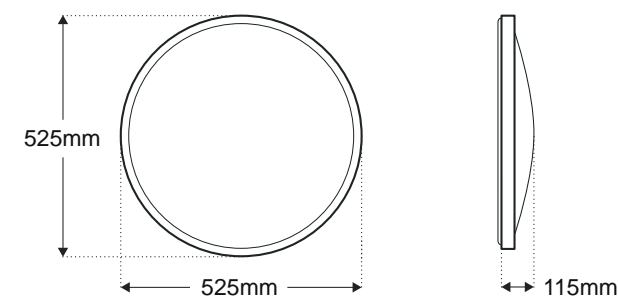
LARGE LED SURFACE FIXTURE



**LE032 - Large Amenity Surface Fixture**

Surface Amenity fixture comprising high output LED chipset suitable for corridors and staircores. Available in 3hr Emergency, Self Test, DALI and Occupancy Detection Mode.

**DIMENSIONS:**



**STANDARDS:**



**PRODUCT CODING**

PRODUCT CODE	FINISH	COLOUR TEMPERATURE	WATTAGE	LUMENS
LE032	WH / CH / SC	4000K	32W	2500LM
LE032-EM	WH / CH / SC	4000K	32W	230LM

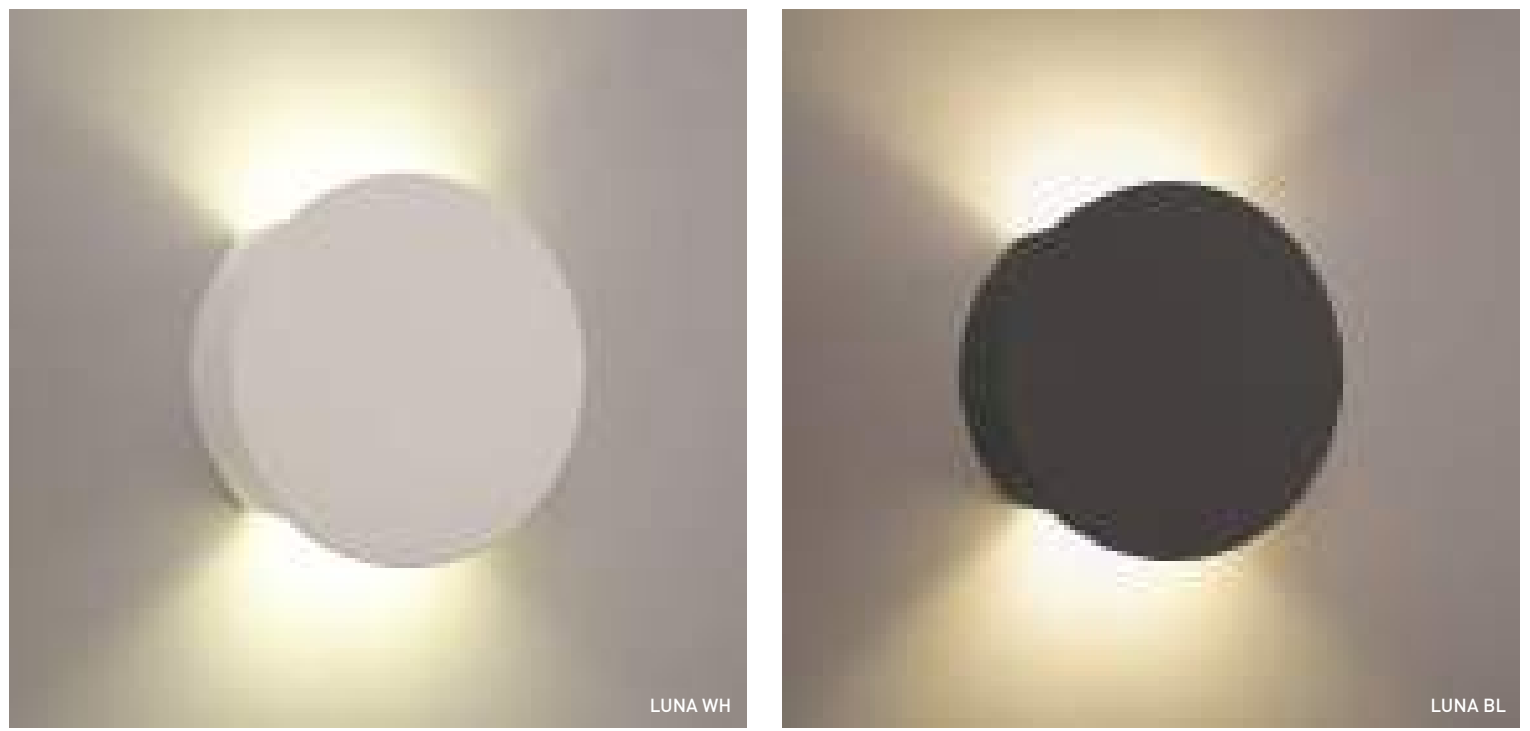
STAIR CORE FIXTURE



**CHIARA - Numbered Staircore Fixture**

Numbered LED marker fixture suitable for stair cores. Available in mains, with an emergency lighting option.

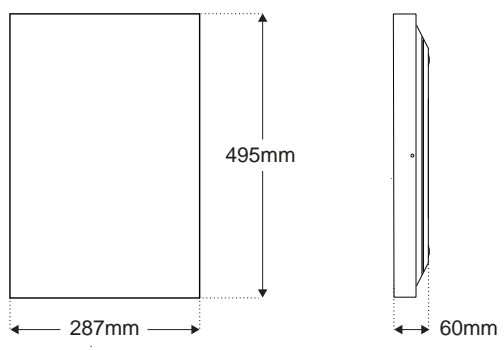
LUNA - CIRCULAR LED STAIR CORE FEATURES



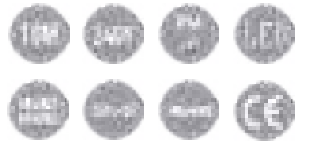
**LUNA - Circular Led Stair Core Feature**

Brushed aluminium circular up and down fixture, polyester powder coat 9016. Fixture provides up and down lighting effect with warm white LED source and high CRI greater than Ra > 80. The fixture features an integrated LED power supply unit allowing for a direct 240V input, facilitating ease of installation.

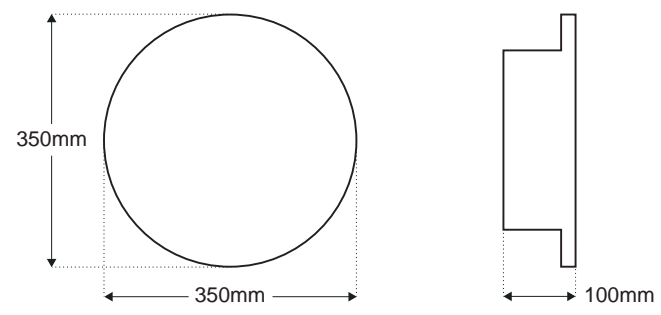
**DIMENSIONS:**



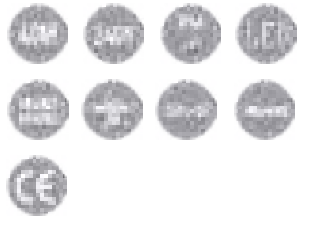
**STANDARDS:**



**DIMENSIONS:**



**STANDARDS:**



**PRODUCT CODING**

PRODUCT CODE	FINISH	COLOUR TEMPERATURE	WATTAGE	LUMENS
CHIARA	WH	3000K	18W	1500LM

**PRODUCT CODING**

PRODUCT CODE	FINISH	COLOUR TEMPERATURE	WATTAGE	LUMENS
LUNA	WH	3000K	40W	3000LM
LUNA	BL	3000K	40W	3000LM

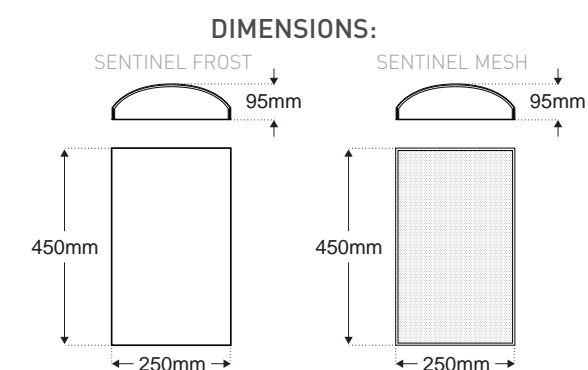


## DESIGNER CURVED WALL LIGHT

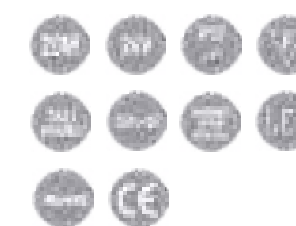


### SENTINEL - Designer Curved Wall Light

Decorative robust wall fixture, with retrofit linear LED light source. Available in 3 Hour emergency and DALI Self test modes.

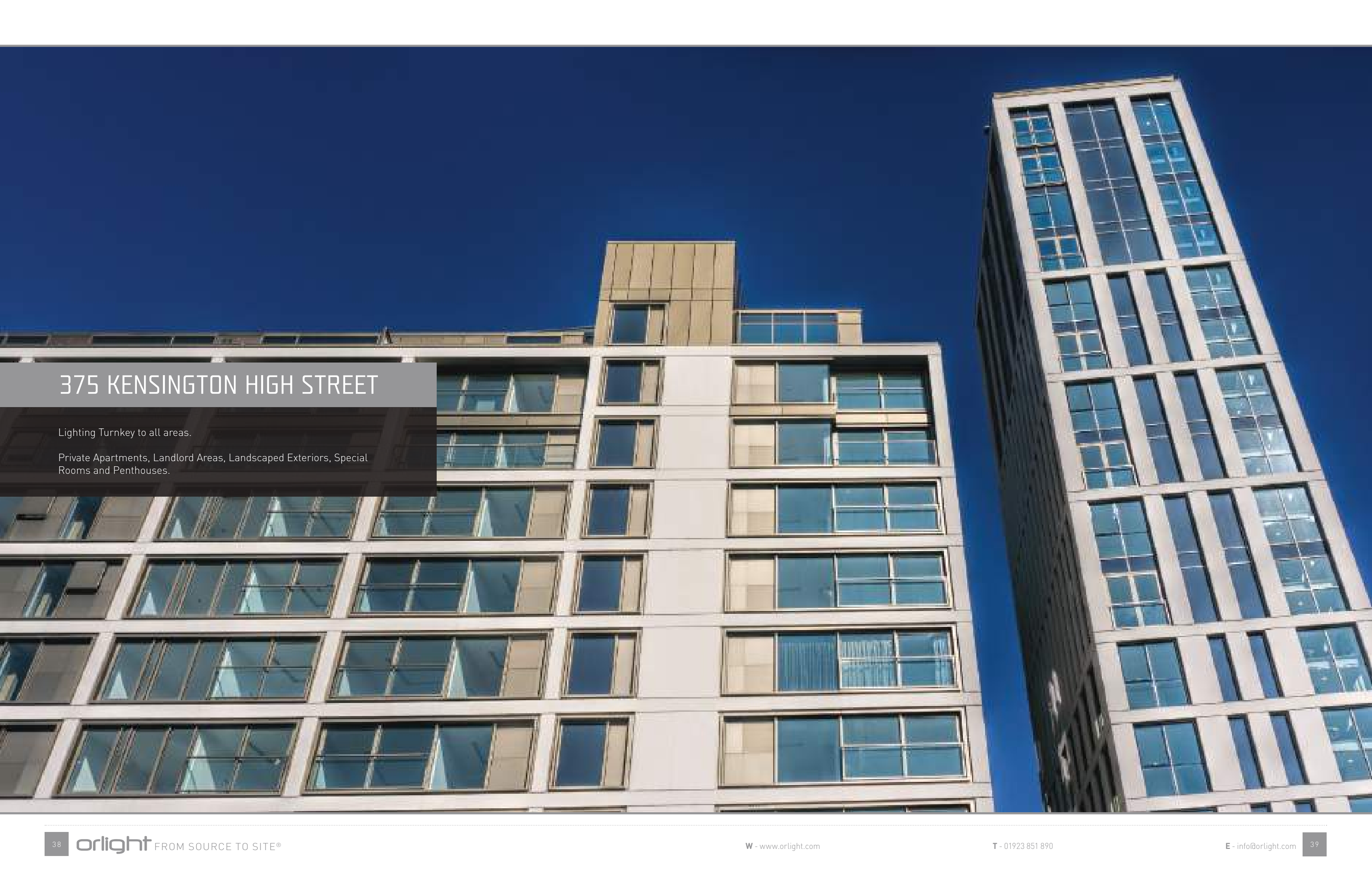


### STANDARDS:



### PRODUCT CODING

PRODUCT CODE	FINISH	COLOUR TEMPERATURE	WATTAGE	LUMENS
SENTINELMESH	WHITE	4000K	20W	2200LM
SENTINELMESH - EM	WHITE	4000K	20W	330LM (in emergency)
SENTINELFROST	WHITE	4000K	20W	2200LM
SENTINELFROST - EM	WHITE	4000K	20W	330LM (in emergency)



## 375 KENSINGTON HIGH STREET

Lighting Turnkey to all areas.

Private Apartments, Landlord Areas, Landscaped Exteriors, Special Rooms and Penthouses.





# CAR PARK SERIES

## SUSPENDED LED LARGE CAR PARK FIXTURE

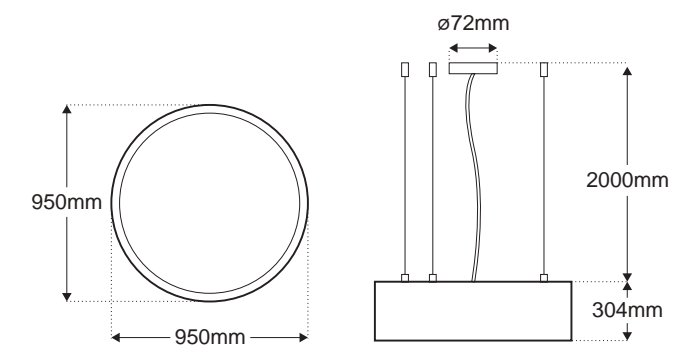


### ORLCP950 - Suspended LED Large Car Park Fixture

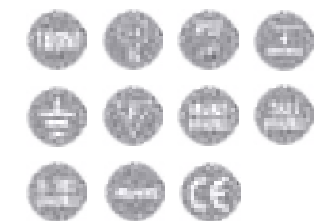
Contemporary suspended oversize pendant. Suitable for decorative commercial applications such as, Underground Car Park's & Tall Lift Lobbies.

#### DIMENSIONS:

[Bespoke sizes available]



#### STANDARDS:



#### PRODUCT CODING

PRODUCT CODE	FINISH	COLOUR TEMPERATURE	WATTAGE	LUMENS	DIMMABLE OPTIONS
ORLCP950	WH / AL / BL	3000K	100W	7000LM	D / DALI / 0-10
ORLCP950	WH / AL / BL	4000K	100W	7000LM	D / DALI / 0-10

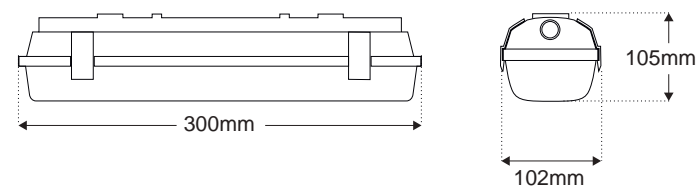
## MINI LED WEATHERPACK



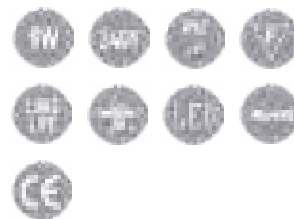
### ORLWP9 - Mini LED Weatherpack

Mini LED weatherpack ideal amenity fixture for Back of House Areas, Car Parks, Storage Areas, Warehousing, Under Canopy, Walkways and General Industrial use with injection moulded Polycarbonate body and diffuser, supplied with stainless steel clips for added durability. Available in 3 Hours maintained emergency.

#### DIMENSIONS:



#### STANDARDS:



#### PRODUCT CODING

PRODUCT CODE	EMERGENCY OPTIONS	COLOUR TEMPERATURE	WATTAGE	LUMENS	DIMMABLE OPTIONS
ORLWP9	---	4000K	9W	900LM	---
ORLWP9	EM	4000K	9W	300LM (in emergency)	---

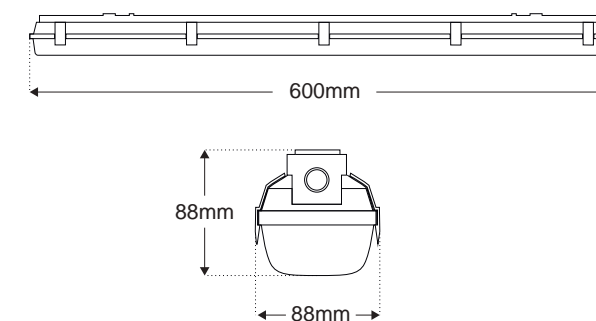
## SINGLE LED WEATHERPACK



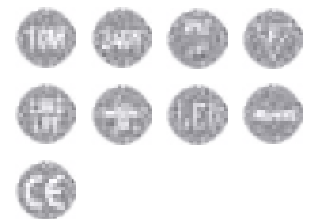
### ORLWP110LED - 2ft Single LED Weatherpack

Orlight IP65 rated single LED weatherpacks are ideal for Back of House Areas, Car Parks, Storage Areas, Warehousing, Under Canopy, Walkways and General Industrial use with injection moulded Polycarbonate body and diffuser, supplied with stainless steel clips for added durability. Available in 3 Hours maintained emergency.

#### DIMENSIONS:



#### STANDARDS:



#### PRODUCT CODING

PRODUCT CODE	EMERGENCY OPTIONS	COLOUR TEMPERATURE	WATTAGE	LUMENS	DIMMABLE OPTIONS
ORLWP110LED	---	4000K	10W	1000LM	---
ORLWP110LED	EM	4000K	10W	300LM (in emergency)	---



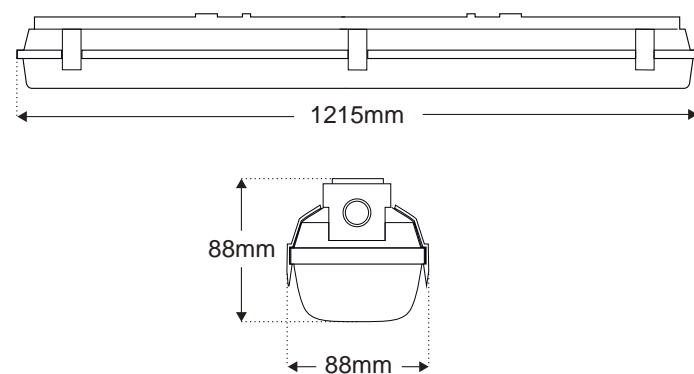
## SINGLE LED WEATHERPACK



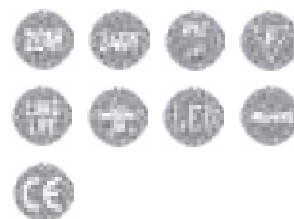
### ORLWP120LED - 4ft Single LED Weatherpack

Orlight IP65 rated Single LED weatherpacks are ideal for Back of House Areas, Car Parks, Storage Areas, Warehousing, Under Canopy, Walkways and General Industrial use with injection moulded Polycarbonate body and diffuser, supplied with stainless steel clips for added durability. Available in 3 Hours maintained emergency.

#### DIMENSIONS:



#### STANDARDS:



#### PRODUCT CODING

PRODUCT CODE	EMERGENCY OPTIONS	COLOUR TEMPERATURE	WATTAGE	LUMENS	DIMMABLE OPTIONS
ORLWP120LED	---	4000K	20W	2000LM	---
ORLWP120LED	EM	4000K	20W	300LM (in emergency)	---

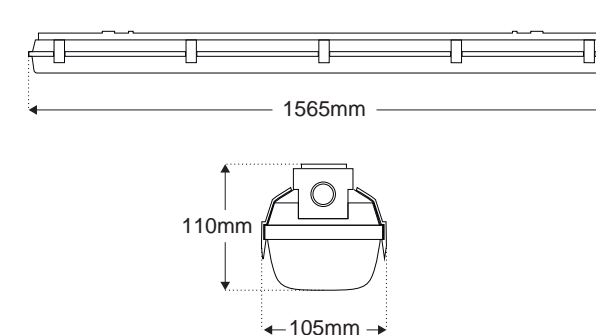
## SINGLE LED WEATHERPACK



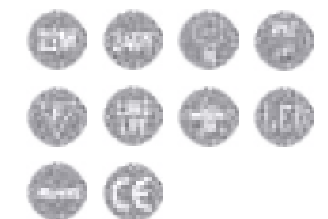
### ORLWP122LED - 5ft Single LED Weatherpack

Orlight IP65 rated Single LED weatherpacks are ideal for Back of House Areas, Car Parks, Storage Areas, Warehousing, Under Canopy, Walkways and General Industrial use with injection moulded Polycarbonate body and diffuser, supplied with stainless steel clips for added durability. Available in 3 Hours maintained emergency.

#### DIMENSIONS:



#### STANDARDS:



#### PRODUCT CODING

PRODUCT CODE	EMERGENCY OPTIONS	COLOUR TEMPERATURE	WATTAGE	LUMENS	DIMMABLE OPTIONS
ORLWP122LED	---	4000K	22W	2200LM	---
ORLWP122LED	EM	4000K	22W	300LM (in emergency)	---

# WEATHERPACK SERIES

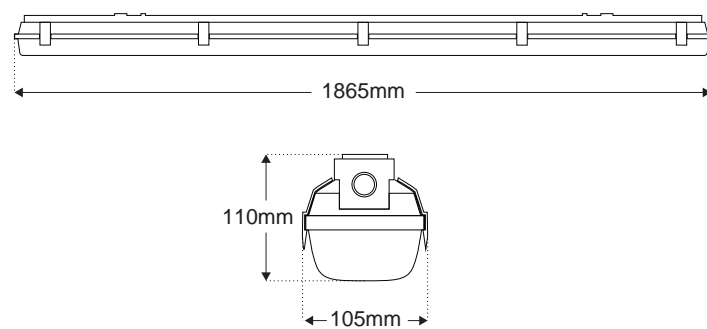
## SINGLE LED WEATHERPACK



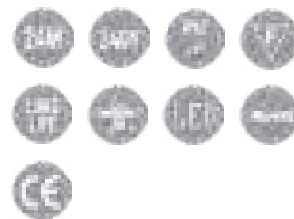
### ORLWP124LED - 6ft Single LED Weatherpack

Orlight IP65 rated Single LED weatherpacks are ideal for Back of House Areas, Car Parks, Storage Areas, Warehousing, Under Canopy, Walkways and General Industrial use with injection moulded Polycarbonate body and diffuser, supplied with stainless steel clips for added durability. Available in 3 Hours maintained emergency.

#### DIMENSIONS:

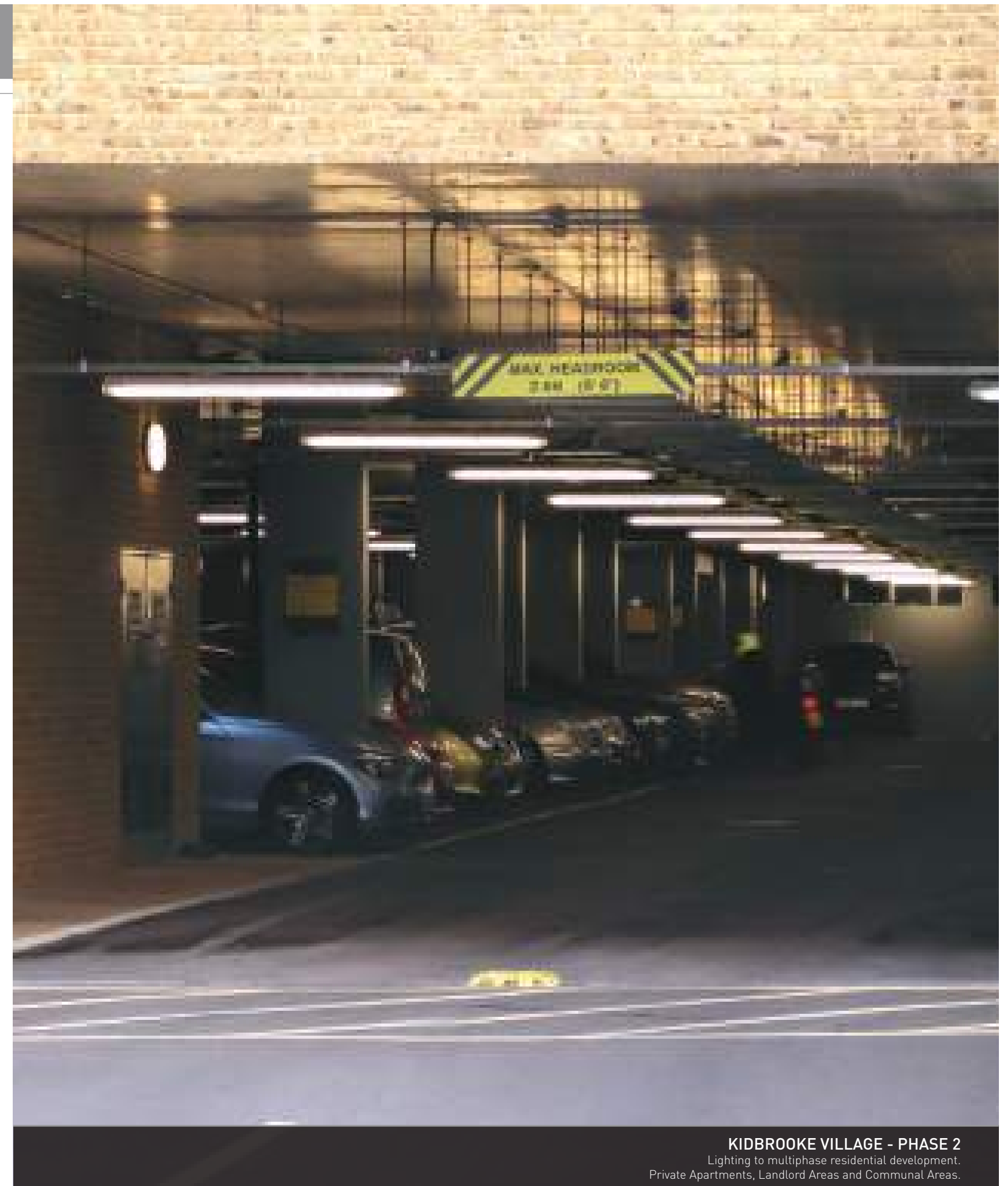


#### STANDARDS:



#### PRODUCT CODING

PRODUCT CODE	EMERGENCY OPTIONS	COLOUR TEMPERATURE	WATTAGE	LUMENS	DIMMABLE OPTIONS
ORLWP124LED	---	4000K	24W	2400LM	---
ORLWP124LED	EM	4000K	24W	300LM (in emergency)	---



**KIDBROOKE VILLAGE - PHASE 2**  
Lighting to multiphase residential development.  
Private Apartments, Landlord Areas and Communal Areas.



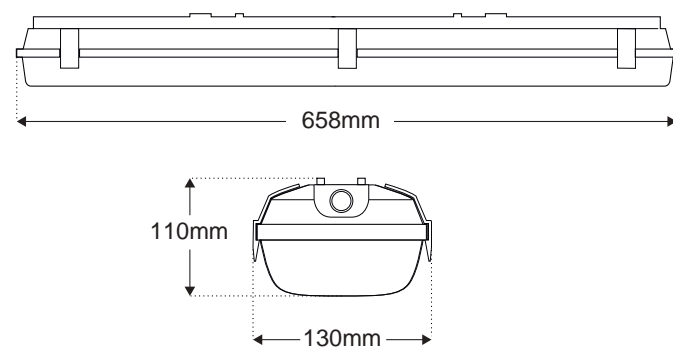
## TWIN LED WEATHERPACK



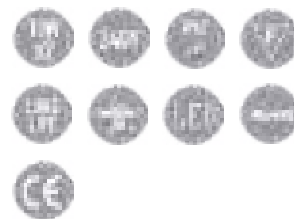
### ORLWP210LED - 2ft Twin LED Weatherpack

Orlight IP65 rated twin LED weatherpacks are ideal for Back of House Areas, Car Parks, Storage Areas, Warehousing, Under Canopy, Walkways and General Industrial use with injection moulded Polycarbonate body and diffuser, supplied with stainless steel clips for added durability. Available in 3 Hours maintained emergency.

#### DIMENSIONS:



#### STANDARDS:



#### PRODUCT CODING

PRODUCT CODE	EMERGENCY OPTIONS	COLOUR TEMPERATURE	WATTAGE	LUMENS	DIMMABLE OPTIONS
ORLWP210LED	---	4000K	2 x 10W	2000LM	---
ORLWP210LED	EM	4000K	2 x 10W	300LM (in emergency)	---

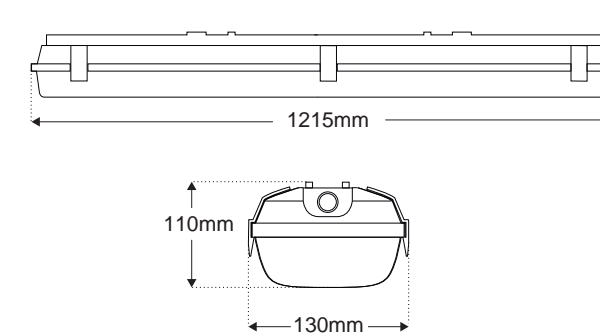
## TWIN LED WEATHERPACK



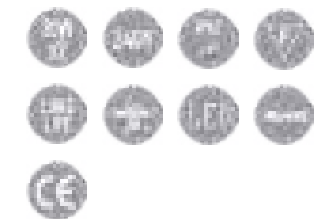
### ORLWP220LED - 4ft Twin LED Weatherpack

Orlight IP65 rated twin LED weatherpacks are ideal for Back of House Areas, Car Parks, Storage Areas, Warehousing, Under Canopy, Walkways and General Industrial use with injection moulded Polycarbonate body and diffuser, supplied with stainless steel clips for added durability. Available in 3 Hours maintained emergency.

#### DIMENSIONS:



#### STANDARDS:



#### PRODUCT CODING

PRODUCT CODE	EMERGENCY OPTIONS	COLOUR TEMPERATURE	WATTAGE	LUMENS	DIMMABLE OPTIONS
ORLWP220LED	---	4000K	2 x 20W	4000LM	---
ORLWP220LED	EM	4000K	2 x 20W	300LM (in emergency)	---

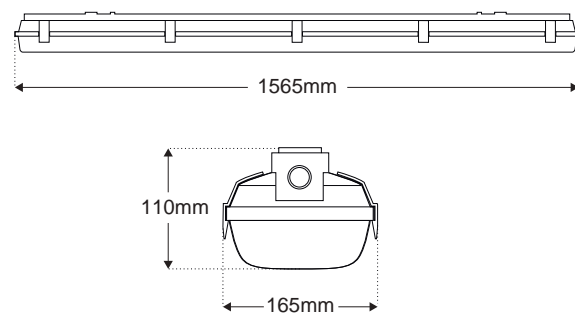
## TWIN LED WEATHERPACK



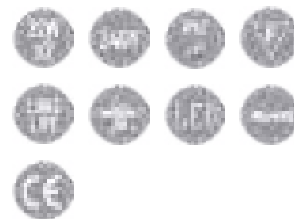
### ORLWP222LED - 5ft Twin LED Weatherpack

Orlight IP65 rated twin LED weatherpacks are ideal for Back of House Areas, Car Parks, Storage Areas, Warehousing, Under Canopy, Walkways and General Industrial use with injection moulded Polycarbonate body and diffuser, supplied with stainless steel clips for added durability. Available in 3 Hours maintained emergency.

#### DIMENSIONS:



#### STANDARDS:



#### PRODUCT CODING

PRODUCT CODE	EMERGENCY OPTIONS	COLOUR TEMPERATURE	WATTAGE	LUMENS	DIMMABLE OPTIONS
ORLWP222LED	---	4000K	2 x 22W	4400LM	---
ORLWP222LED	EM	4000K	2 x 22W	300LM (in emergency)	---

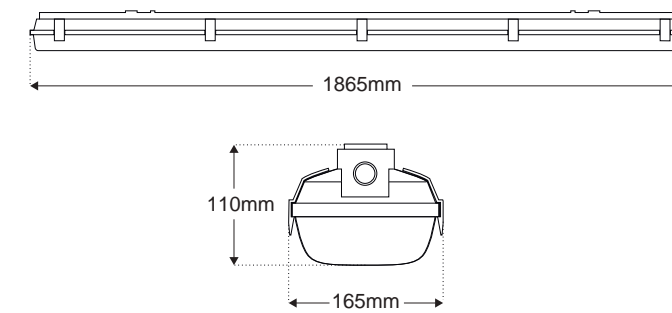
## TWIN LED WEATHERPACK



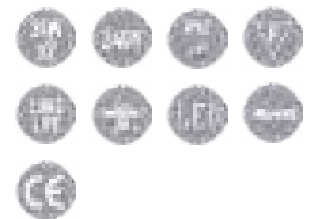
### ORLWP224LED - 6ft Twin LED Weatherpack

Orlight IP65 rated twin LED weatherpacks are ideal for Back of House Areas, Car Parks, Storage Areas, Warehousing, Under Canopy, Walkways and General Industrial use with injection moulded Polycarbonate body and diffuser, supplied with stainless steel clips for added durability. Available in 3 Hours maintained emergency.

#### DIMENSIONS:



#### STANDARDS:



#### PRODUCT CODING

PRODUCT CODE	EMERGENCY OPTIONS	COLOUR TEMPERATURE	WATTAGE	LUMENS	DIMMABLE OPTIONS
ORLWP224LED	---	4000K	2 x 24W	4800LM	---
ORLWP224LED	EM	4000K	2 x 24W	300LM (in emergency)	---





## WORLDWIDE HOUSE

Commercial lighting Turnkey to all areas.

Office Suites, Front of House, Back of House  
and Welcome Areas.

# TEMPORARY SITE LIGHT

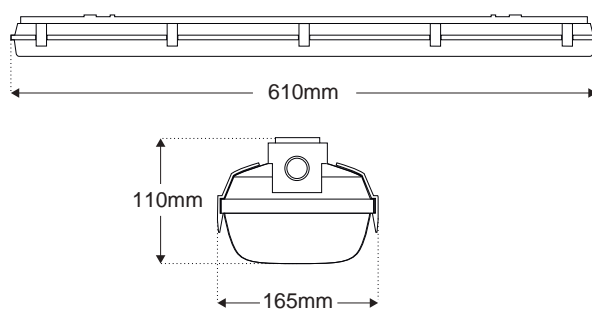
## LED TEMPORARY SITE LIGHT



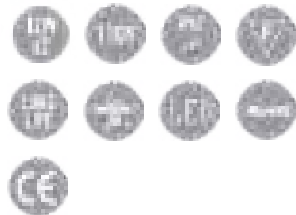
### ORLWP212LEDTMP - 2ft Twin Temporary LED Site Light

Orlight IP65 rated twin LED weatherpacks are ideal for Back of House Areas, Car Parks, Storage Areas, Warehousing, Under Canopy, Walkaways and General Industrial use. Temporary configuration 110V supply. Available in 2ft length with injection moulded Polycarbonate body and diffuser, supplied with stainless steel clips for added durability. Durable temporary site light can be dismantled and used on future phases saving money and energy. Available in 3 Hour maintained emergency.

#### DIMENSIONS:



#### STANDARDS:



#### PRODUCT CODING

PRODUCT CODE	EMERGENCY OPTIONS	COLOUR TEMPERATURE	WATTAGE	LUMENS	DIMMABLE OPTIONS
ORLWP212LEDTMP	---	4000K	2 x 12W	2640LM	---
ORLWP212LEDTMP	EM	4000K	2 x 12W	300LM (in emergency)	---

# TEMPORARY SITE LIGHT

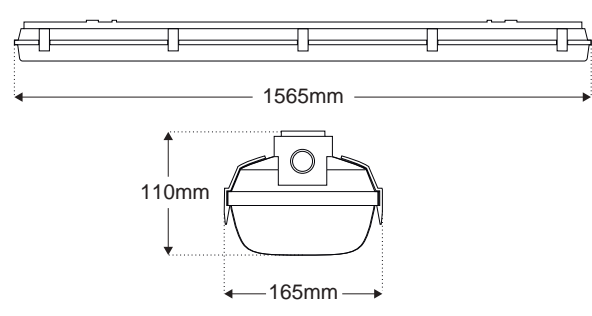
## LED TEMPORARY SITE LIGHT



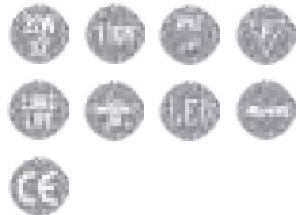
### ORLWP222LEDTMP - 5ft Twin Temporary LED Site Light

Orlight IP65 rated twin LED weatherpacks are ideal for Back of House Areas, Car Parks, Storage Areas, Warehousing, Under Canopy, Walkaways and General Industrial use. Temporary configuration 110V supply. Available in 5ft and 6ft lengths with injection moulded Polycarbonate body and diffuser, supplied with stainless steel clips for added durability. Durable temporary site light can be dismantled and used on future phases saving money and energy. Available in 3 Hour maintained emergency.

#### DIMENSIONS:



#### STANDARDS:



#### PRODUCT CODING

PRODUCT CODE	EMERGENCY OPTIONS	COLOUR TEMPERATURE	WATTAGE	LUMENS	DIMMABLE OPTIONS
ORLWP222LEDTMP	---	4000K	2 x 22W	4840LM	---
ORLWP222LEDTMP	EM	4000K	2 x 22W	330LM (in emergency)	---





**54 PORTLAND PLACE**  
Complete lighting Turnkey to all areas.  
Private Apartments and Landlord Areas.

# TEMPORARY SITE LIGHT

## FIXED TEMPORARY SITE DOWNLIGHT

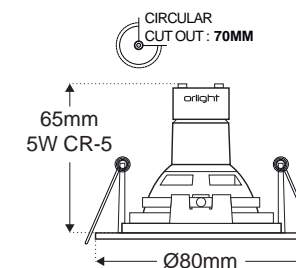


ORLTEMPDLRD-CR-5

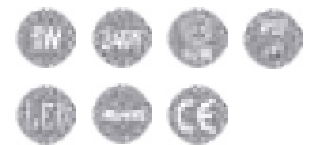
### ORLTEMPDLRD-SHPNW5 - Fixed Temporary Site Downlight

Temporary site downlight supplied with neutral white, 240V LED light source and an anti-theft coloured finish. Useful for contractual applications.

#### DIMENSIONS:



#### STANDARDS:



#### PRODUCT CODING

PRODUCT CODE	LAMP OPTIONS	COLOUR TEMPERATURE	WATTAGE	LUMENS	DIMMABLE OPTIONS
ORLTEMPDLRD	CR-5	4000K	5W	535LM	---

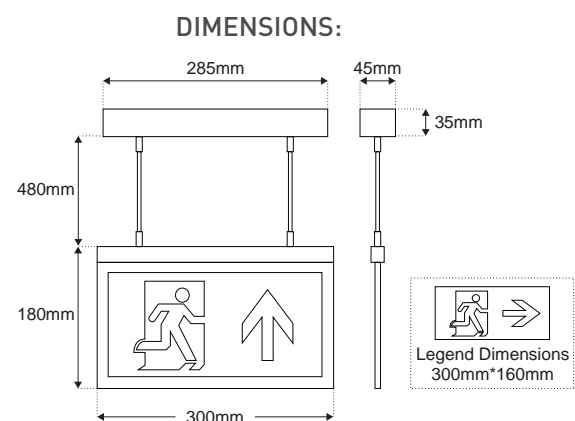
# EMERGENCY EXIT SIGN

## SUSPENDED SURFACE LED EXIT SIGN



### ORLEXTSUS - Suspended Surface LED Exit Sign

ORLEXTSUS is a suspended, double-sided LED exit sign that can be seen clearly from a 25 Meters viewing distance. The legend is manufactured using an acrylic panel that provides good visibility and even light distribution. Product will exceed 3 hours in emergency test mode throughout periodic test period.



**STANDARDS:**



**PRODUCT CODING**

PRODUCT CODE	EMERGENCY OPTIONS	COLOUR TEMPERATURE	WATTAGE	LUMENS	DIMMABLE OPTIONS
ORLEXTSUS	---	6000K	3W	Up To 30LM	---
ORLEXTSUS-DALI SELF TEST	---	6000K	3W	Up To 30LM	---

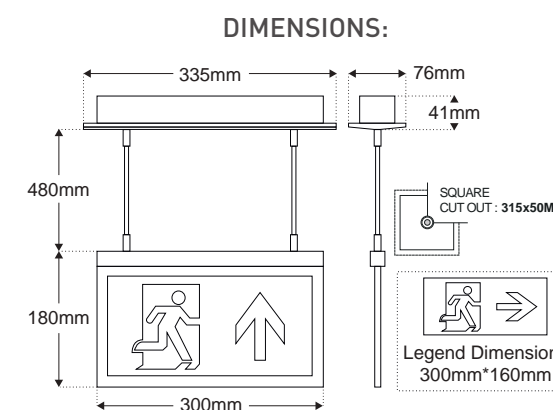
# EMERGENCY EXIT SIGN

## SUSPENDED RECESSED LED EXIT SIGN

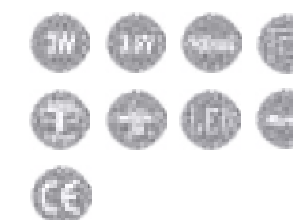


### ORLEXTRSUS - Suspended Recessed LED Exit Sign

ORLEXTRSUS is a suspended, double-sided, recessed LED exit sign that can be seen clearly from a 25 Meters viewing distance. The legend is manufactured using an acrylic panel that provides good visibility through even light distribution. Product will exceed 3 hours in emergency test mode throughout periodic test period.



**STANDARDS:**



**PRODUCT CODING**

PRODUCT CODE	EMERGENCY OPTIONS	COLOUR TEMPERATURE	WATTAGE	LUMENS	DIMMABLE OPTIONS
ORLEXTRSUS	---	6000K	3W	Up To 30LM	---
ORLEXTRSUS-DALI SELF TEST	---	6000K	3W	Up To 30LM	---

# EMERGENCY EXIT SIGN

## CEILING MOUNTED RECESSED EXIT SIGN

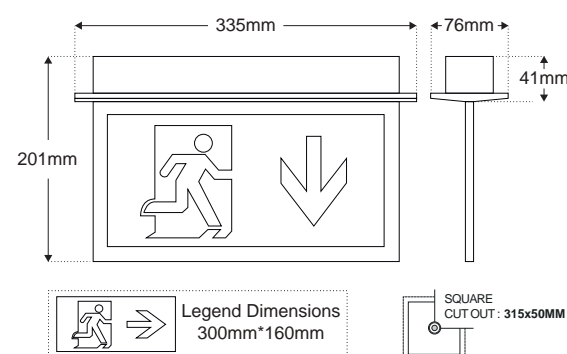


ORLEXTRC

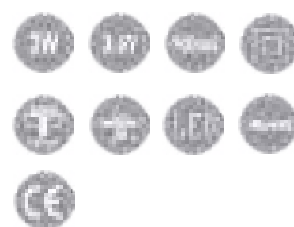
### ORLEXTRC - Ceiling Mounted Recessed Exit Sign

ORLEXTRC is a double-sided, recessed LED exit sign that can be seen clearly from a 25 Meters viewing distance. The legend is manufactured using an acrylic panel that provides good visibility through even light distribution. Product will exceed 3 hours in emergency test mode throughout periodic test period.

#### DIMENSIONS:



#### STANDARDS:



### PRODUCT CODING

PRODUCT CODE	EMERGENCY OPTIONS	COLOUR TEMPERATURE	WATTAGE	LUMENS	DIMMABLE OPTIONS
ORLEXTRC	---	6000K	3W	Up To 30LM	---
ORLEXTRC-DALI SELF TEST	---	6000K	3W	Up To 30LM	---

# EMERGENCY EXIT SIGN

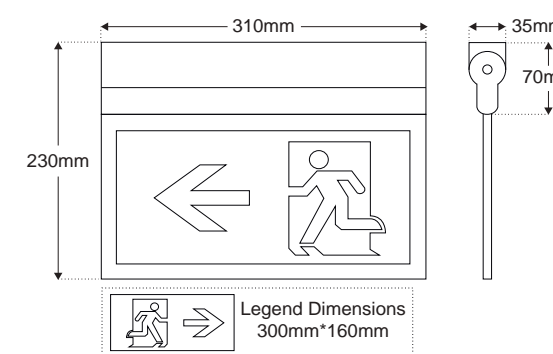
## SURFACE MOUNTED EXIT SIGN



### ORLEXTCW - Surface Mounted Exit Sign

ORLEXTCW is a double-sided LED exit sign that can be seen clearly from a 25 Meters viewing distance and can be mounted on both walls and ceilings. The legend is manufactured using an acrylic panel that provides good visibility through even light distribution. Product will exceed 3 hours in emergency test mode throughout periodic test period.

#### DIMENSIONS:



#### STANDARDS:



### PRODUCT CODING

PRODUCT CODE	EMERGENCY OPTIONS	COLOUR TEMPERATURE	WATTAGE	LUMENS	DIMMABLE OPTIONS
ORLEXTCSUS	---	6000K	3W	Up To 30LM	---
ORLEXTCSUS-DALI SELF TEST	---	6000K	3W	Up To 30LM	---



# EMERGENCY EXIT SIGN

## SURFACE MOUNTED EXIT SIGN

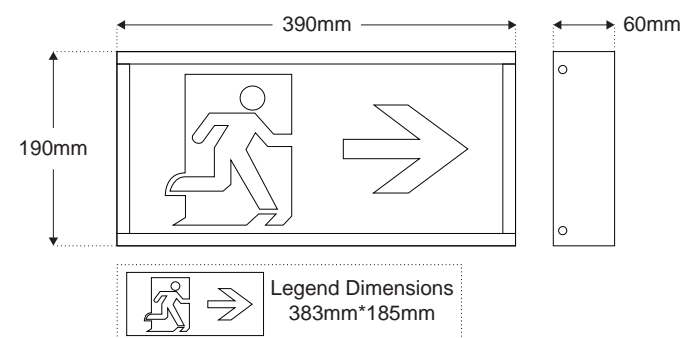


ORLEXTBX

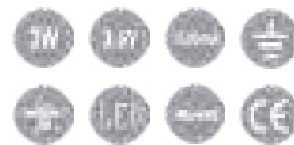
### ORLEXTBX - Surface Mounted Exit Box

Surface LED exit sign that can be seen clearly from a 25 Meters viewing distance. The legend is manufactured using an acrylic panel within a box mounting that provides good visibility through even light distribution. Product will exceed 3 hours in emergency test mode throughout periodic test period.

#### DIMENSIONS:



#### STANDARDS:



### PRODUCT CODING

PRODUCT CODE	EMERGENCY OPTIONS	COLOUR TEMPERATURE	WATTAGE	LUMENS	DIMMABLE OPTIONS
ORLEXTBX	---	6000K	3W	Up To 30LM	---



**EAGLE HOUSE**

Complete lighting Turnkey to all areas.  
Private Apartments, Landlord Areas, Special Rooms and Landscaped Exteriors.



**HOLLAND GREEN**  
Lighting to Underground Secure Car Parks and Plant Rooms.

# EMERGENCY DOWNLIGHT

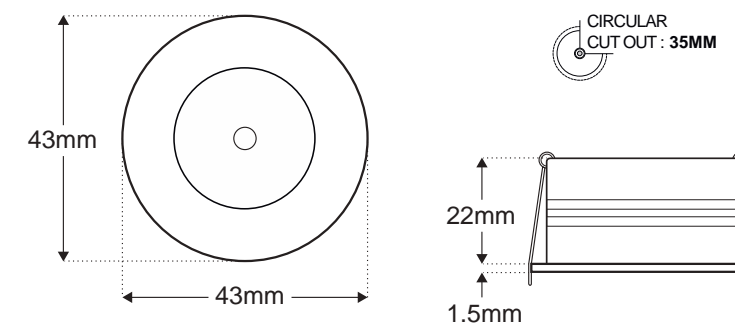
## MINI LED EMERGENCY DOWNLIGHT



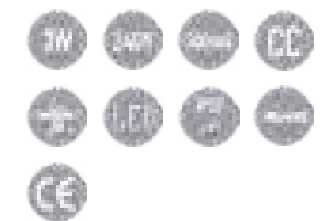
### ORLDOTLED3 - Mini LED Emergency Downlight

Energy efficient high power 3W LED Solution for mains/emergency applications with a simple plug and socket installation system. Suitable for plasterboard ceiling's and very small and discreet. Estimated 50,000 hour LED chip life. Features fabricated steel body with powder coat finish. Non-maintained 3 hours battery back up supplied with fitting. Wide optic version available for use in corridors.

#### DIMENSIONS:



#### STANDARDS:



#### PRODUCT CODING

PRODUCT CODE	FINISH	COLOUR TEMPERATURE	WATTAGE	LUMENS	DIMMABLE OPTIONS
ORLDOTLED3	WH / AL / BL	6000K	3W	234LM	---

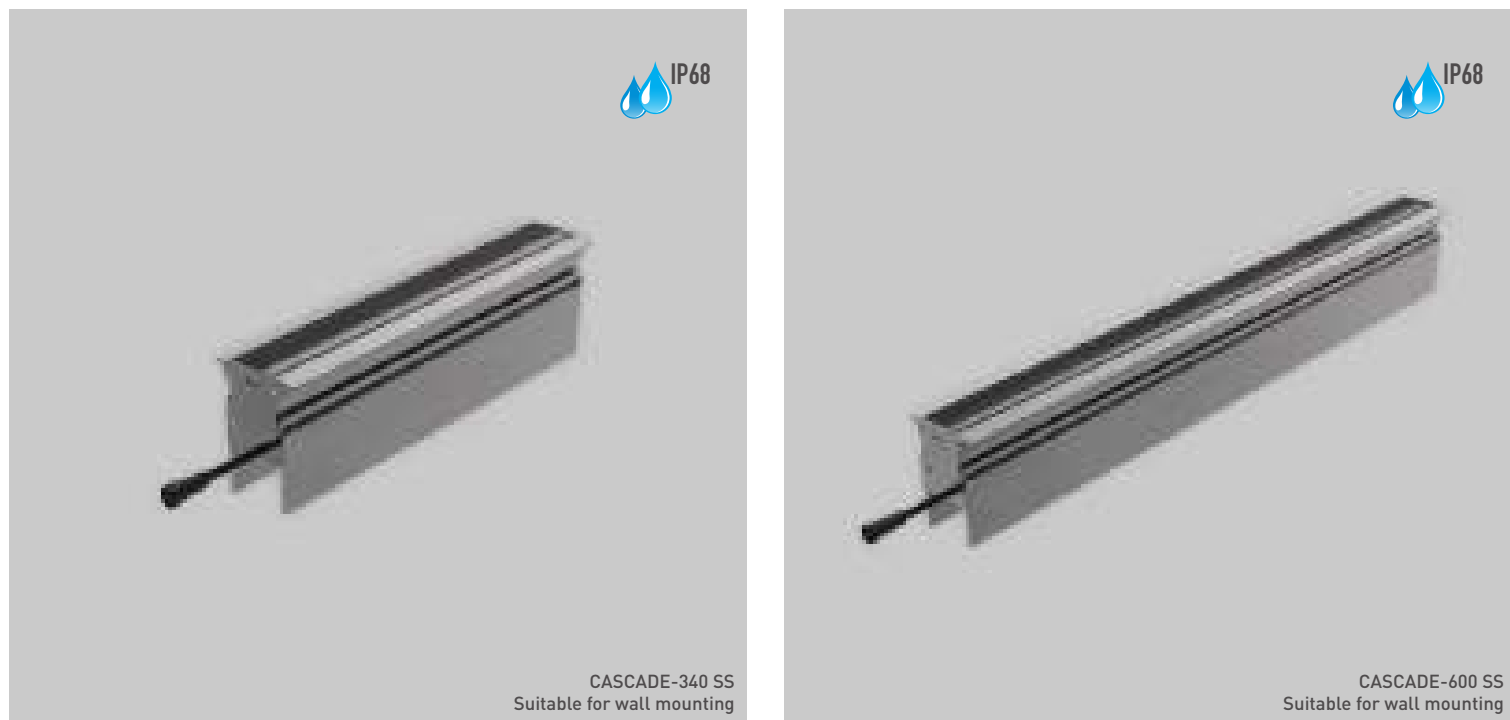


# IMPERIAL WHARF

Complete lighting Turnkey to all areas.



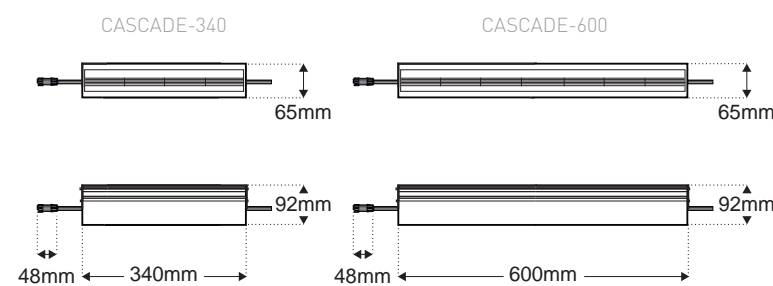
## WALL WASH LINEAR INGROUND



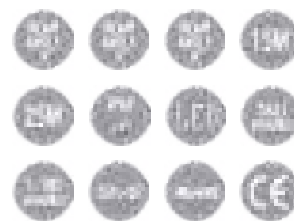
### CASCADE-340 & CASCADE-600 - Short Wall Wash Linear

High specification linear external fixture. Integrated LED power supply and high power chipset allowing for light projection up to 10 meters. Anti-glare louvre with inbuilt adjustable tilting mechanism for direction of light towards application.

#### DIMENSIONS:



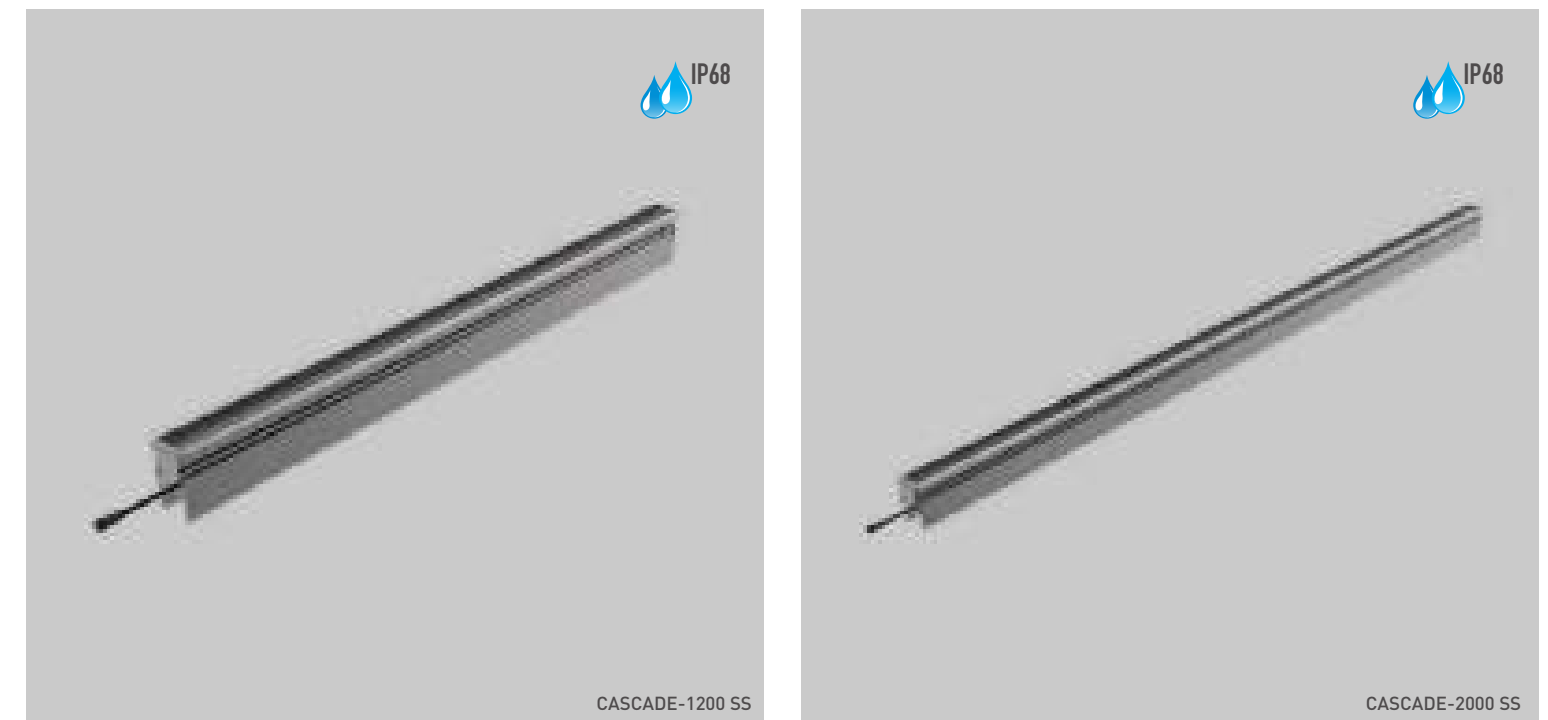
#### STANDARDS:



#### PRODUCT CODING

PRODUCT CODE	FINISH	LENGTH	COLOUR TEMPERATURE	WATTAGE	LUMENS	DIMMABLE OPTIONS
CASCADE-340	SS	340MM	3000K	15W	1000LM	1-10V
CASCADE-600	SS	600MM	3000K	25W	1800LM	1-10V
CASCADE-340-DALI	SS	340MM	3000K	15W	1000LM	DALI
CASCADE-600-DALI	SS	600MM	3000K	25W	1800LM	DALI

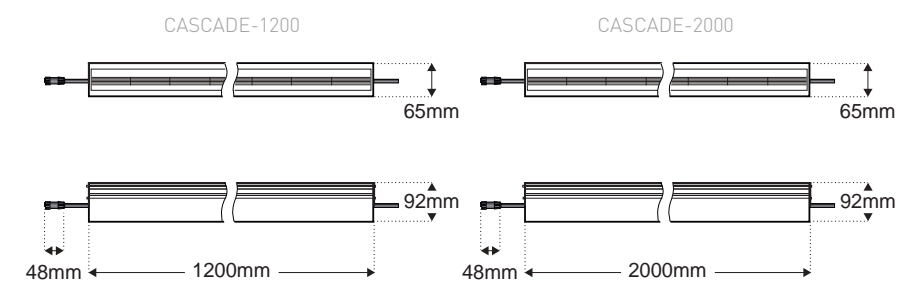
## WALL WASH LINEAR INGROUND



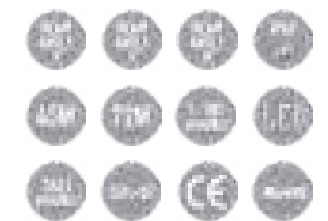
### CASCADE-1200 & CASCADE-2000 - Long Wall Wash Linear

High specification linear external fixture. Integrated LED power supply and high power chipset allowing for light projection up to 10 meters. Anti-glare louvre with inbuilt adjustable tilting mechanism for direction of light towards application.

#### DIMENSIONS:



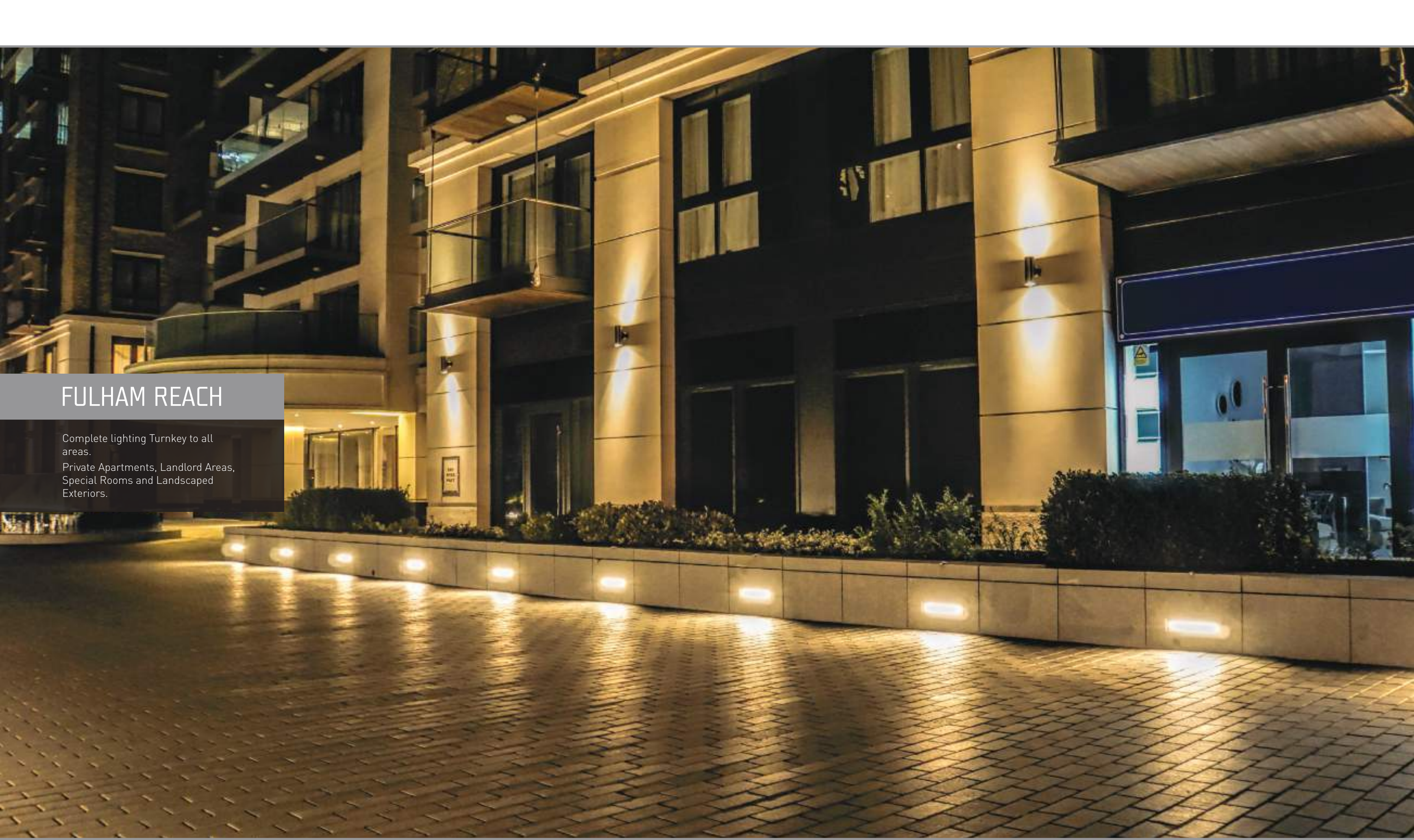
#### STANDARDS:



#### PRODUCT CODING

PRODUCT CODE	FINISH	LENGTH	COLOUR TEMPERATURE	WATTAGE	LUMENS	DIMMABLE OPTIONS
CASCADE-1200	SS	1200MM	3000K	45W	3200LM	1-10V
CASCADE-2000	SS	2000MM	3000K	72W	4800LM	1-10V
CASCADE-1200-DALI	SS	1200MM	3000K	45W	3200LM	DALI
CASCADE-2000-DALI	SS	2000MM	3000K	72W	4800LM	DALI





## FULHAM REACH

Complete lighting Turnkey to all areas.

Private Apartments, Landlord Areas, Special Rooms and Landscaped Exteriors.



# RECESSED LINEAR

## STAINLESS STEEL LINEAR RECESSED LIGHTING



ORLLUNGO-200 SS

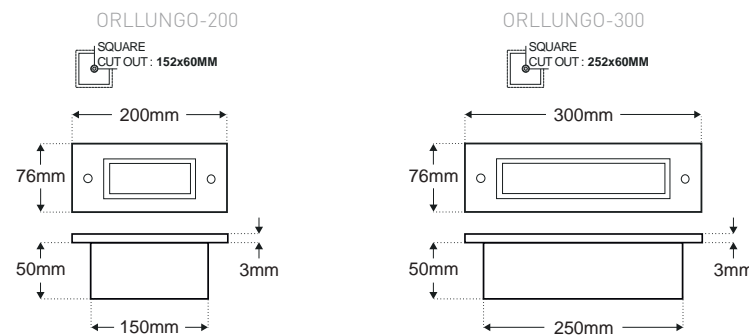


ORLLUNGO-300 SS

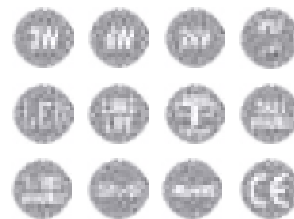
### ORLLUNGO-200 & ORLLUNGO-300 - Short Robust Recessed Linear

Robust in-ground linear fitting with IP67 construction and 20 degree optic. CREE LED chipset with anti-glare recessed and Ra >80 colour rendition. Supplied complete with appropriate LED power supply.

#### DIMENSIONS:



#### STANDARDS:

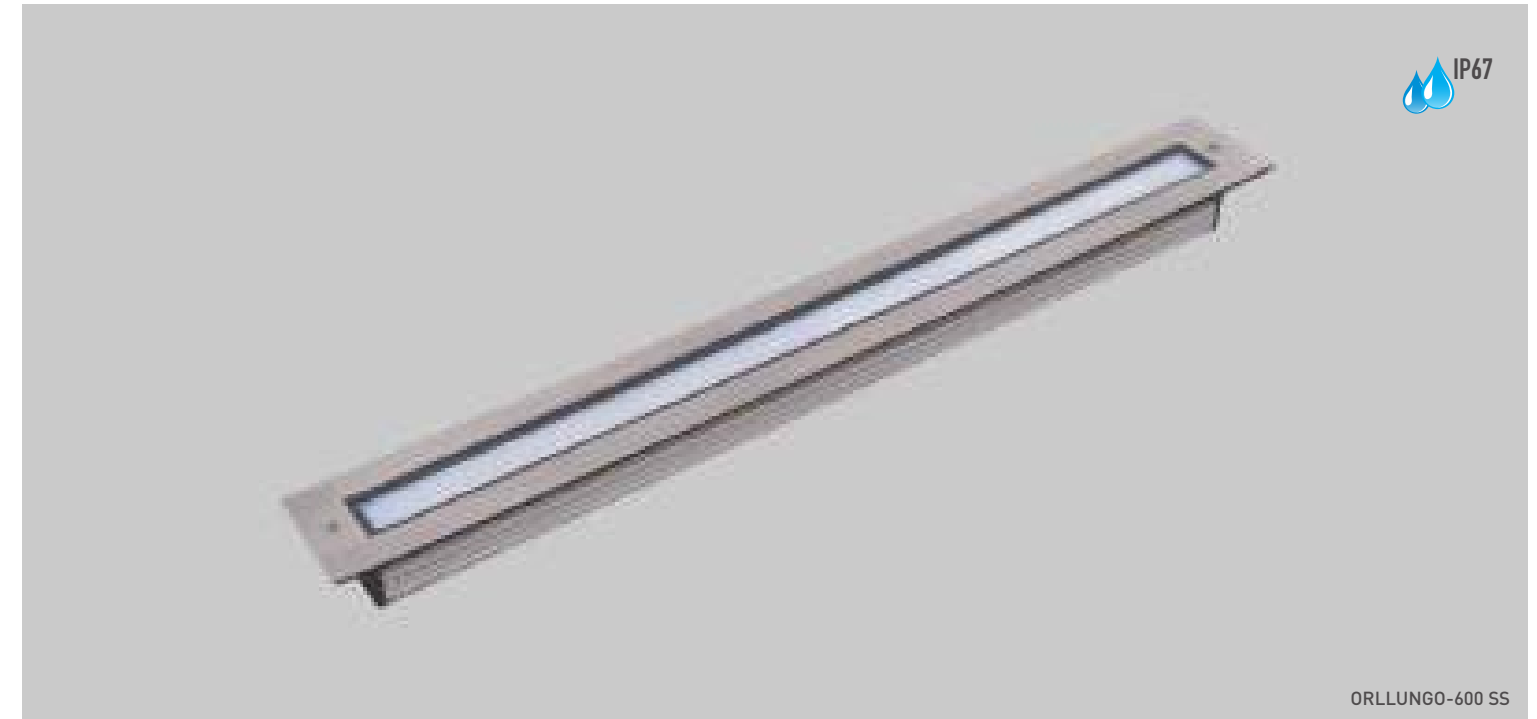


#### PRODUCT CODING

PRODUCT CODE	FINISH	LENGTH	COLOUR TEMPERATURE	WATTAGE	LUMENS	DIMMABLE OPTIONS
ORLLUNGO-200	AL	200MM	3000K / 6000K	3W	170LM / 190LM	1-10V/ DALI
ORLLUNGO-300	AL	300MM	3000K / 6000K	6W	270LM / 320LM	1-10V/ DALI

# RECESSED LINEAR

## STAINLESS STEEL LINEAR RECESSED LIGHTING

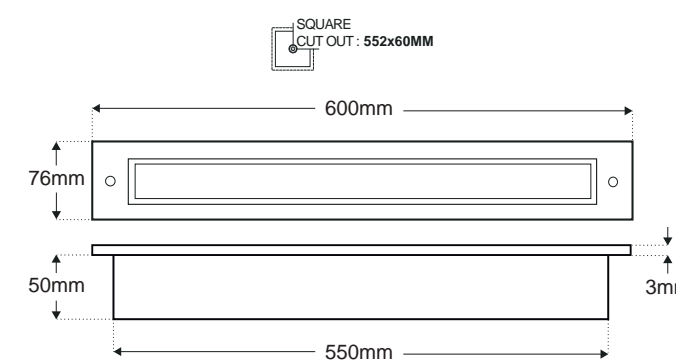


ORLLUNGO-600 SS

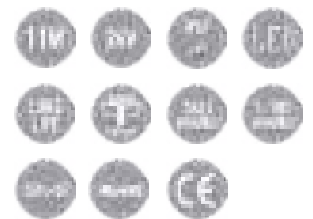
### ORLLUNGO-600 - Medium Robust Recessed Linear

Robust in-ground linear fitting with IP67 construction and 20 degree optic. CREE LED chipset with anti-glare recessed and Ra >80 colour rendition. Supplied complete with appropriate LED power supply.

#### DIMENSIONS:



#### STANDARDS:



#### PRODUCT CODING

PRODUCT CODE	FINISH	LENGTH	COLOUR TEMPERATURE	WATTAGE	LUMENS	DIMMABLE OPTIONS
ORLLUNGO-600	AL	600MM	3000K / 6000K	11W	580LM / 450LM	1-10V/ DALI



# LM22 SERIES

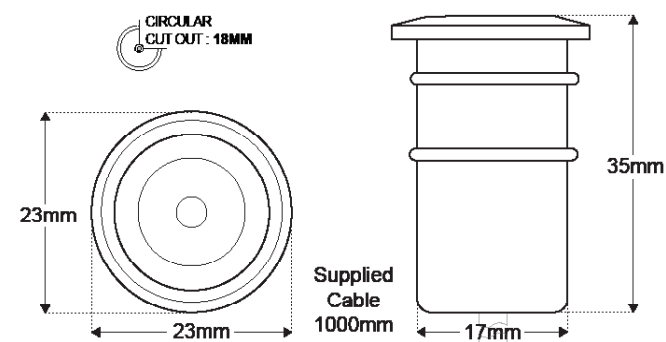
## MINI ROUND LED LIGHT



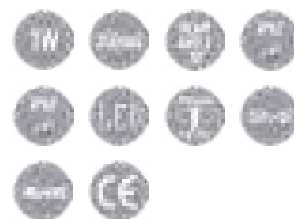
### ORLLM22, ORLLM22-FR & ORLLM22-B - Mini Round LED Light

Marine grade 316 stainless steel miniature in-ground fixture complete with integral CREE LED package. Fixture rated to IP68 allowing submersion in water thus negating common issues arising from lack of soil drainage. Configured to 20 degree beam as standard, product functions with 350mA constant current driver. No mechanical joints to light source ensures robust protection against water ingress. Product runs cool meeting all "touch temperature" requirements. Product features tiny footprint (23mm overall diameter).

#### DIMENSIONS:

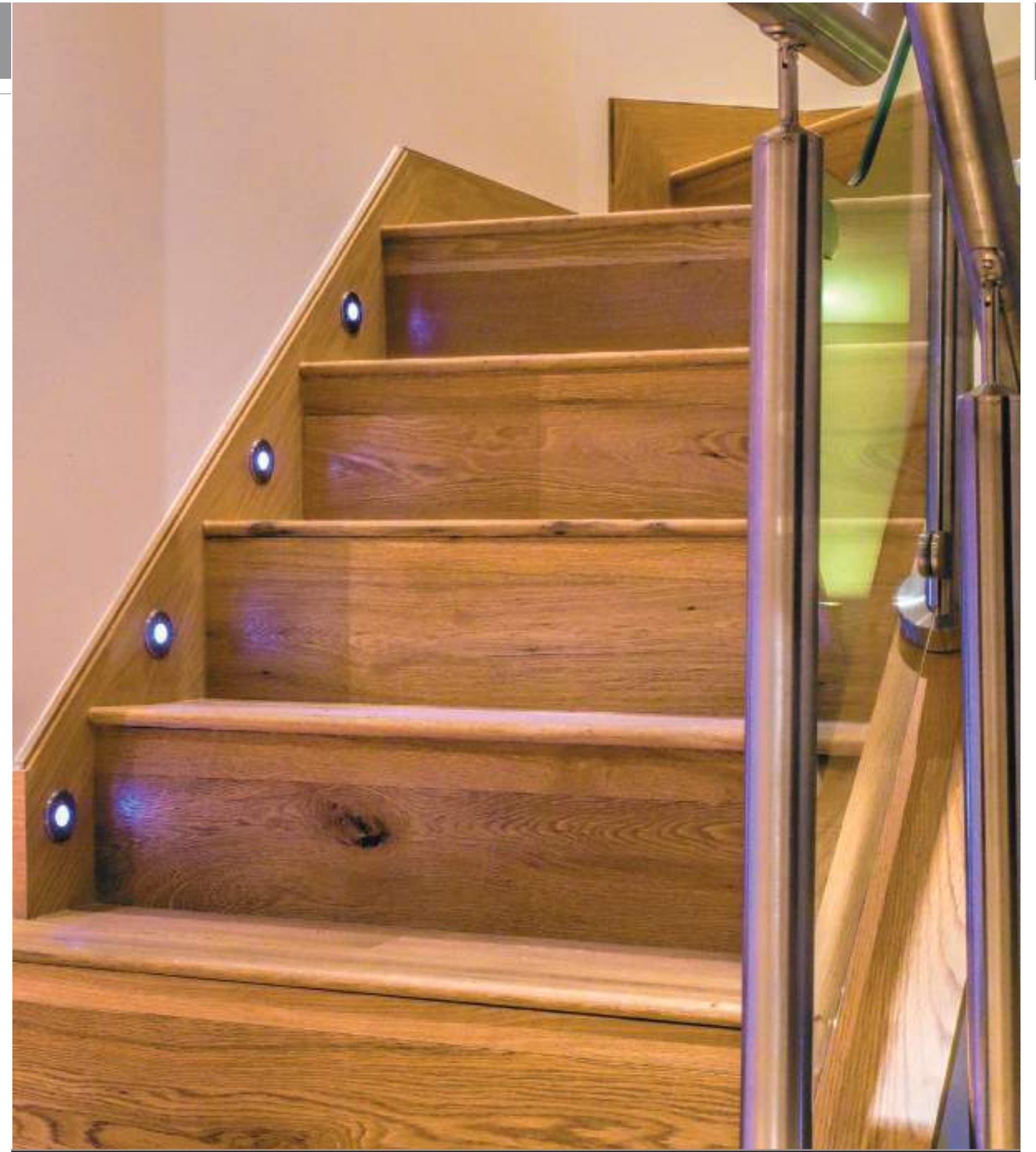


#### STANDARDS:



#### PRODUCT CODING

PRODUCT CODE	FINISH	COLOUR TEMPERATURE	WATTAGE	LUMENS	DIMMABLE OPTIONS
ORLLM22	SS / WH	3000K / 5000K	1W	80LM / 90LM	---
ORLLM22-FR	WH	3000K	1W	36LM	---
ORLLM22-B	SS	3000K / 5000K	1W	49LM / 60LM	---



#### BEAUFORT PARK

Orlight has provided complete lighting solutions during a 10 year period to multiple residential blocks within this substantial North London development. Complete lighting turnkey solution throughout multiphase development.



### IMPERIAL WHARF

Orlight has manufactured and supplied the complete lighting solution for multiple blocks at Imperial Wharf over a 7 year Period. The final block within the development was completed in 2010. Orlight also provided lighting solutions to Imperial Wharf Station.

## LM736 SERIES

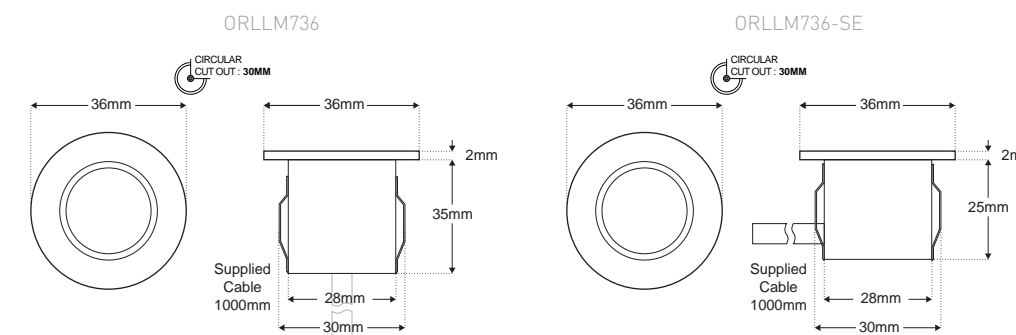
### MINI HIGH SPEC ROUND LED LIGHT



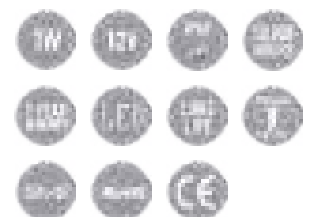
### ORLLM736 & ORLLM736SE - Mini High Spec Round LED Light

This miniature high specification fixture features IP68 316 marine grade stainless steel construction. It's miniature footprint makes it extremely versatile, whilst a CREE LED chipset enhances performance. A frosted diffuser ensures glare reduction. An IP68 rating allows for submersion in water up to 2 Meters.

#### DIMENSIONS:



#### STANDARDS:



#### PRODUCT CODING

PRODUCT CODE	FINISH	COLOUR TEMPERATURE	WATTAGE	LUMENS	DIMMABLE OPTIONS
ORLLM736	SS	3000K / 4000K / 6000K	1W	90LM / 95LM / 100LM	---
ORLLM736	WH	3000K / 4000K / 6000K	1W	90LM / 95LM / 100LM	---
ORLLM736	BZ	3000K / 4000K / 6000K	1W	90LM / 95LM / 100LM	---
ORLLM736-SE	SS	3000K / 4000K / 5000K	1W	90LM / 95LM / 100LM	---



MEDIUM HIGH SPEC ROUND LED LIGHT

MEDIUM HIGH SPEC SQUARE LED LIGHT



ORLLM760 - Medium High Spec Round LED Light

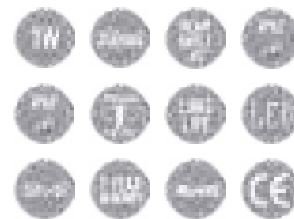
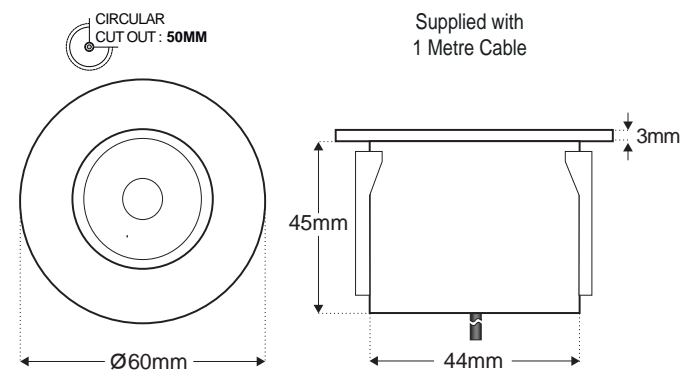
Marine Grade 316 Stainless Steel IP68 rated, robust and attractive, mid-sized (60mm diameter) LED light is ideal for Path, Lobby and Deck lighting. Inexpensive to run, ensures a virtually maintenance free product. Integrated high power CREE LED chipset for optimal performance, colour rendering and longevity. Available in anti-glare and square versions.

ORLLM760SQ - Medium High Spec Square LED Light

Marine Grade 316 Stainless Steel IP68 rated, robust and attractive, mid-sized LED light is ideal for Path, Lobby and Deck lighting. Inexpensive to run, ensures a virtually maintenance free product. Integrated high power CREE LED chipset for optimal performance, colour rendering and longevity.

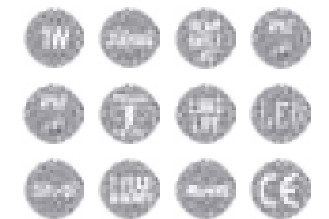
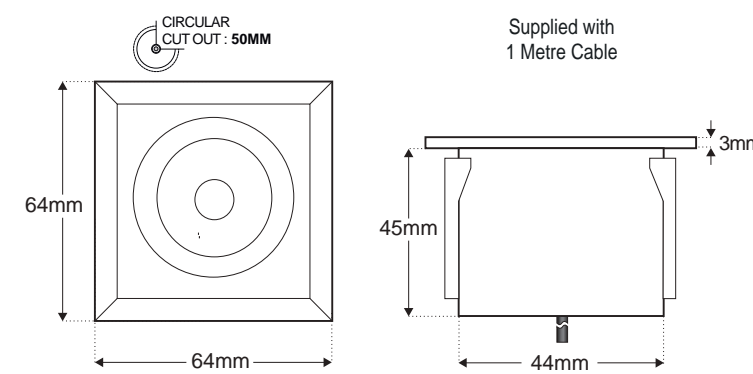
DIMENSIONS:

STANDARDS:



DIMENSIONS:

STANDARDS:



PRODUCT CODING

PRODUCT CODE	FINISH	COLOUR TEMPERATURE	WATTAGE	LUMENS	DIMMABLE OPTIONS
ORLLM760	SS	3000K / 6000K	1W	90LM / 100LM	---
ORLLM760	WH	3000K / 6000K	1W	90LM / 100LM	---

PRODUCT CODING

PRODUCT CODE	FINISH	COLOUR TEMPERATURE	WATTAGE	LUMENS	DIMMABLE OPTIONS
ORLLM760SQ	SS	3000K / 6000K	1W	90LM / 100LM	---
ORLLM760SQ	WH	3000K / 6000K	1W	90LM / 100LM	---



## FULHAM REACH

Complete lighting Turnkey to all areas.  
Private Apartments, Landlord Areas,  
Special Rooms and Landscaped  
Exteriors.

MEDIUM ANTI-GLARE ROUND LED LIGHT

MEDIUM ROUND LED LIGHT - BLACK BAFFLE



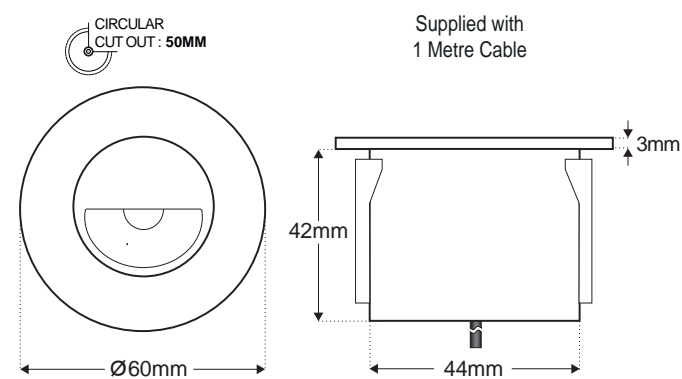
**ORLLM760S - Medium Anti-Glare Round LED Light**

Marine Grade 316 Stainless Steel miniature wall mounted fixture, featuring integrated lens for asymmetric emission complete with integral CREE LED package. Fixture rated to IP68 allowing submersion in water thus negating common issues arising from lack of soil drainage. Asymmetric degree beam as standard. No mechanical joints to light source ensures robust protection against water ingress. Product runs cool meeting all "touch temperature" requirements. Ideal product to create an external wallwasher.

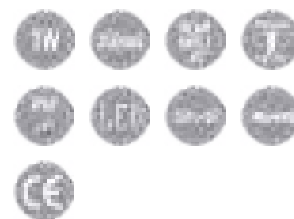
**ORLLM760B - Medium Round LED Light - Black Baffle**

Marine Grade 316 Stainless Steel IP68 rated, robust and attractive, mid-sized (60mm diameter) LED light is ideal for Path, Lobby and Deck lighting. Inexpensive to run, ensures a virtually maintenance free product. Integrated high power CREE LED chipset for optimal performance, colour rendering and longevity. Black baffle construction for glare reduction.

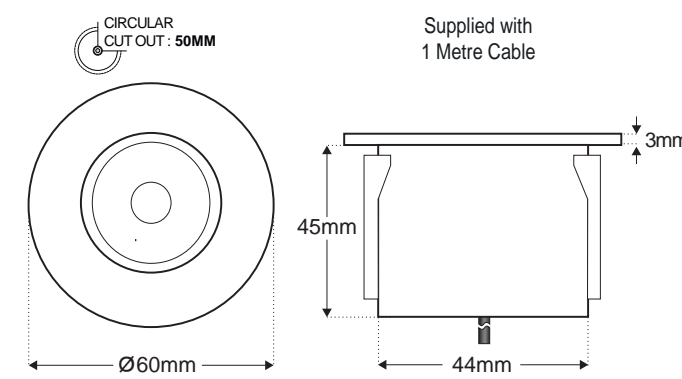
**DIMENSIONS:**



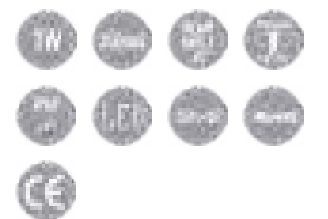
**STANDARDS:**



**DIMENSIONS:**



**STANDARDS:**



**PRODUCT CODING**

PRODUCT CODE	FINISH	COLOUR TEMPERATURE	WATTAGE	LUMENS	DIMMABLE OPTIONS
ORLLM760S	SS	3000K / 5000K	1W	80LM / 90LM	---

**PRODUCT CODING**

PRODUCT CODE	FINISH	COLOUR TEMPERATURE	WATTAGE	LUMENS	DIMMABLE OPTIONS
ORLLM760B	SS	3000K / 5000K	1W	59LM / 66LM	---



# LM96 SERIES

## RECESSED ROUND LED LIGHT

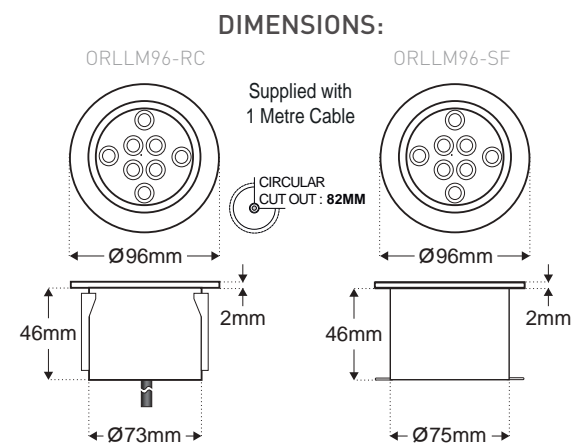


ORLLM96-RC

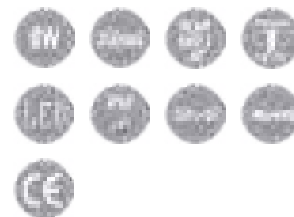
ORLLM96-SF

### ORLLM96-RC & ORLLM96-SF - Recessed Round LED Light

ORLLM96-RC is Marine Grade 316 Stainless Steel in-ground fixture complete with integral CREE LED package. Fixture rated to IP68, allowing submersion in water thus negating common issues arising from lack of soil drainage. Configured to 40 degree beam as standard, product functions with 350mA constant current IP68 in-line driver. No mechanical joints to light source ensures robust protection against water ingress. Product runs cool meeting all "touch temperature" requirements. ORLLM96-SF is designed for fountains and water features featuring CREE LED package.

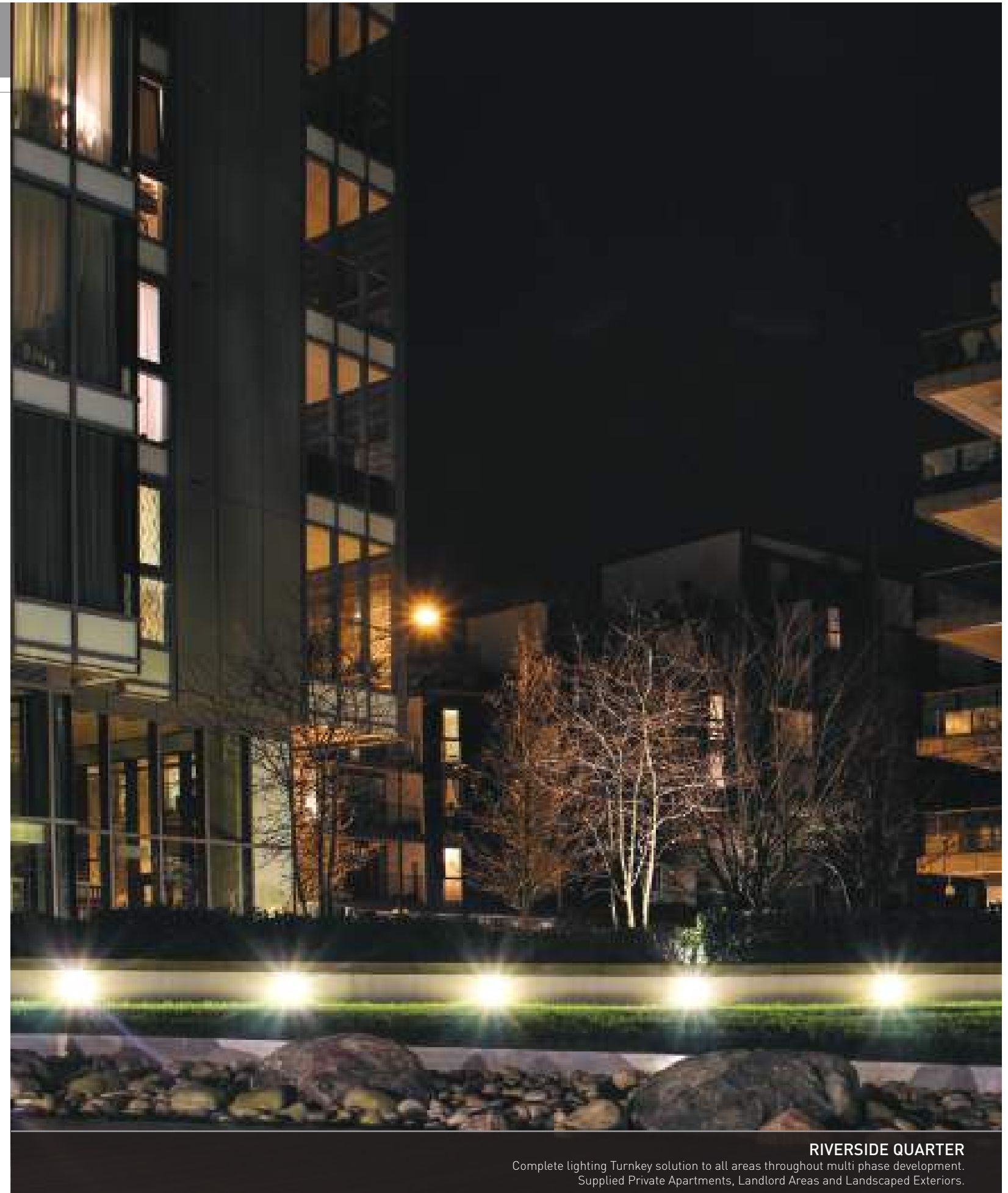


### STANDARDS:



### PRODUCT CODING

PRODUCT CODE	FINISH	COLOUR TEMPERATURE	WATTAGE	LUMENS	DIMMABLE OPTIONS
ORLLM96-RC	SS	3000K / 5000K	8W	640LM / 720LM	---
ORLLM96-SF	SS	3000K / 5000K	8W	640LM / 720LM	---

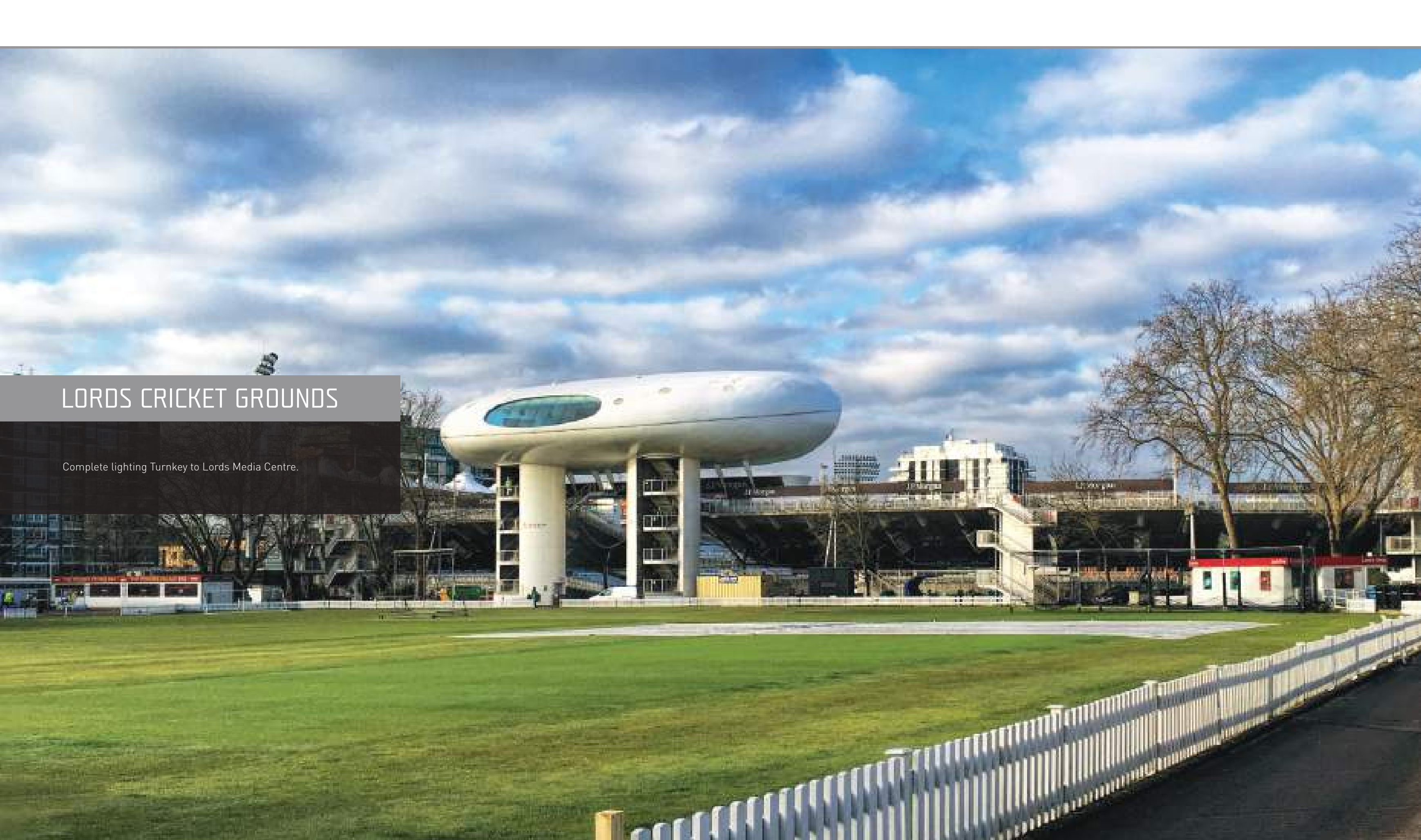


### RIVERSIDE QUARTER

Complete lighting Turnkey solution to all areas throughout multi phase development. Supplied Private Apartments, Landlord Areas and Landscaped Exteriors.

# LORDS CRICKET GROUNDS

Complete lighting Turnkey to Lords Media Centre.





MARINE GRADE MEDIUM RECESSED ROUND PROJECTOR

MARINE GRADE LARGE ROUND PROJECTOR



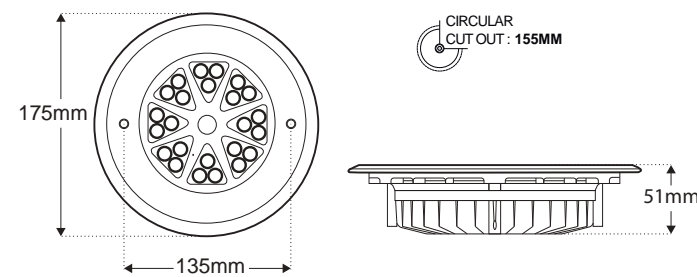
ORLLM175 - Medium Recessed Round Projector

Marine Grade 316 Stainless Steel in-ground floodlight fixture complete with integral CREE LED package. Fixture rated to IP68 allowing submersion in water thus negating common issues arising from lack of soil drainage. Configured to 40 degree beam as standard. No mechanical joints to light source ensures robust protection against water ingress. Product runs cool meeting all "touch temperature" requirements. Suitable for the illumination of small and medium trees.

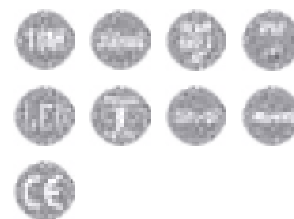
ORLLM214 - Large Round Projector

Bar stock aluminium surface mounted floodlight fixture complete with integral CREE LED package. Fixture rated to IP68 allowing submersion in water thus negating common issues arising from lack of soil drainage. Configured to 40 degree beam as standard. No mechanical joints to light source ensures robust protection against water ingress. Product runs cool, meeting all "touch temperature" requirements. Suitable for the illumination of medium and large trees, building exteriors, columns.

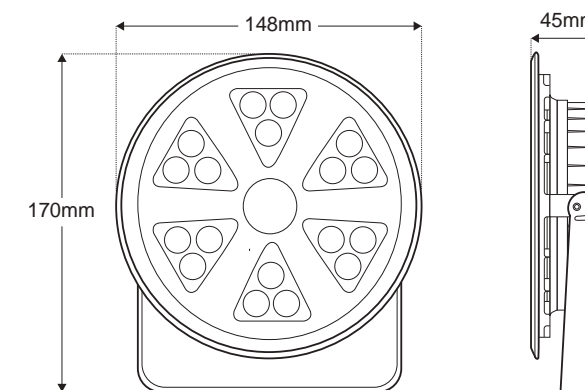
DIMENSIONS:



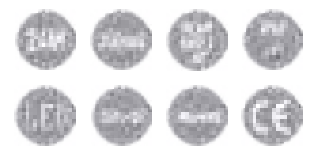
STANDARDS:



DIMENSIONS:



STANDARDS:



PRODUCT CODING

PRODUCT CODE	FINISH	COLOUR TEMPERATURE	WATTAGE	LUMENS	DIMMABLE OPTIONS
ORLLM175	SS	3000K / 5000K	18W	1440LM / 1620LM	---

PRODUCT CODING

PRODUCT CODE	FINISH	COLOUR TEMPERATURE	WATTAGE	LUMENS	DIMMABLE OPTIONS
ORLLM214	SS	3000K / 5000K	24W	1920LM / 2160LM	---

# PROJECTORS

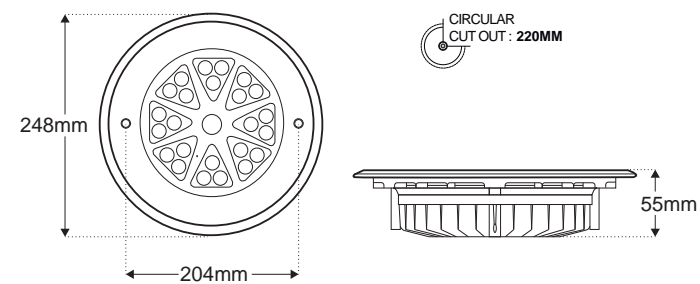
## MARINE GRADE LARGE RECESSED ROUND PROJECTOR



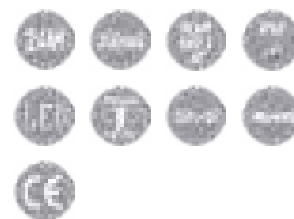
### ORLLM248 - Large Recessed Round Projector

Marine Grade 316 Stainless Steel in-ground floodlight fixture complete with integral CREE LED package. Fixture rated to IP68 allowing submersion in water thus negating common issues arising from lack of soil drainage. Configured to 40 degree beam as standard. No mechanical joints to light source ensures robust protection against water ingress. Product runs cool, meeting all "touch temperature" requirements. Suitable for the illumination of medium and large trees.

#### DIMENSIONS:



#### STANDARDS:



#### PRODUCT CODING

PRODUCT CODE	FINISH	COLOUR TEMPERATURE	WATTAGE	LUMENS	DIMMABLE OPTIONS
ORLLM248	SS	3000K / 5000K	24W	1920LM / 2160LM	---



### KIDBROOKE VILLAGE - PHASE 2

Lighting to multiphase residential development. Private Apartments, Landlord Areas and Communal Areas.





**EAGLE HOUSE**  
 Complete lighting Turnkey solution to all areas.  
 Private Apartments, Landlord Areas, Special Rooms and Landscaped Exteriors.

# LOW LEVEL MARKER LIGHTS

## HIGH SPEC MINIATURE EYE-LID FIXTURE

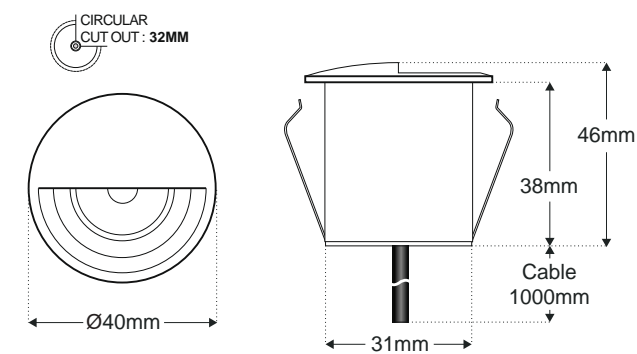


ORLLM119 SS

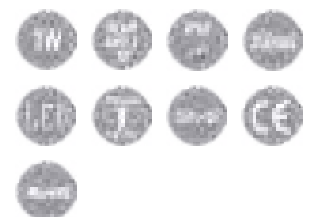
### ORLLM119 - Mini High Spec Eye-Lid Fixture

This miniature high specification fixture features IP68 316 Marine Grade Stainless Steel construction. It's miniature footprint (40mm overall diameter) allows for the creation of fantastic lighting effects. Integrated high power CREE LED chipset for optimal performance, colour rendering and longevity. An IP68 rating allows for submersion in water up to 2 Meters.

#### DIMENSIONS:



#### STANDARDS:

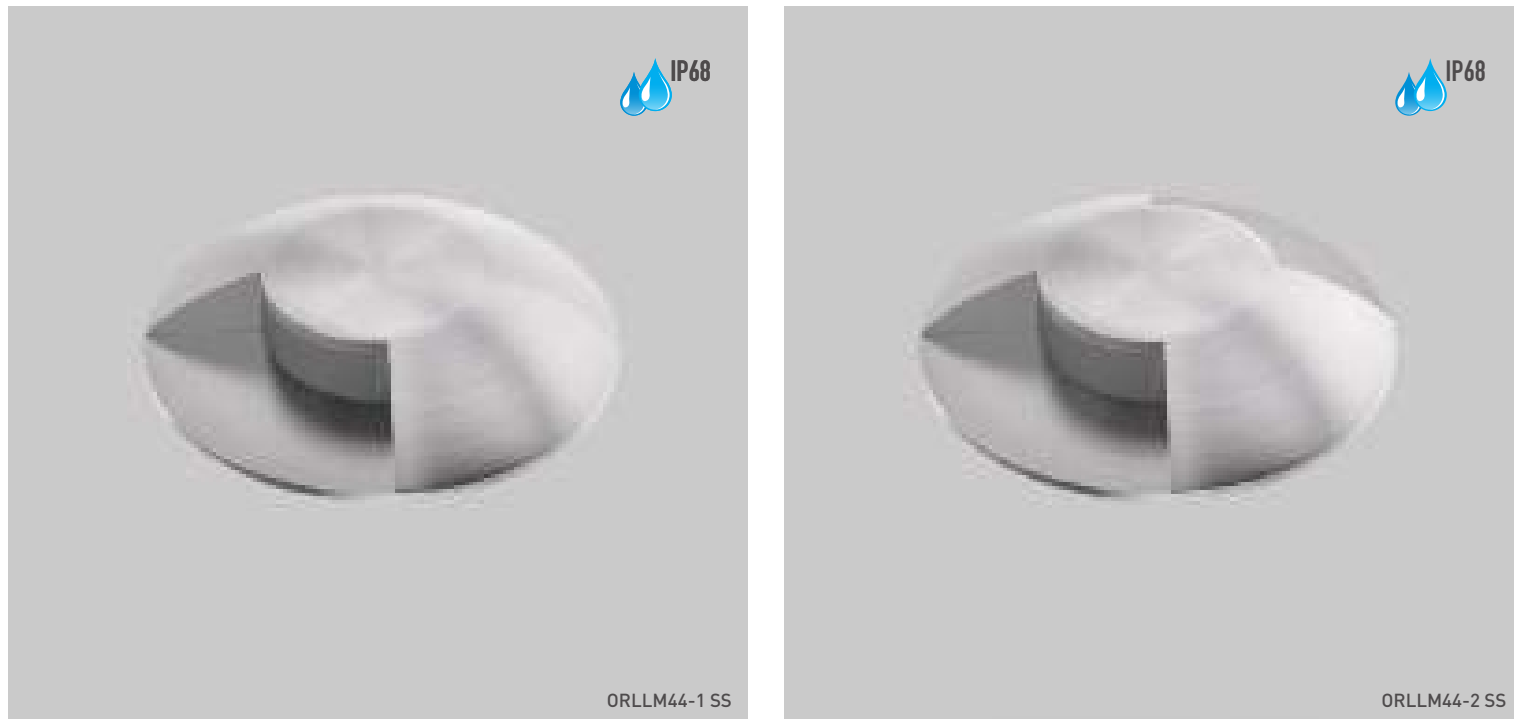


#### PRODUCT CODING

PRODUCT CODE	FINISH	COLOUR TEMPERATURE	WATTAGE	LUMENS	DIMMABLE OPTIONS
ORLLM119	SS	3000K / 6000K	1W	80LM / 100LM	---

MINI 1 & 2 WAYS LED FIXTURE

MEDIUM 1, 2 & 4 WAYS LED FIXTURE

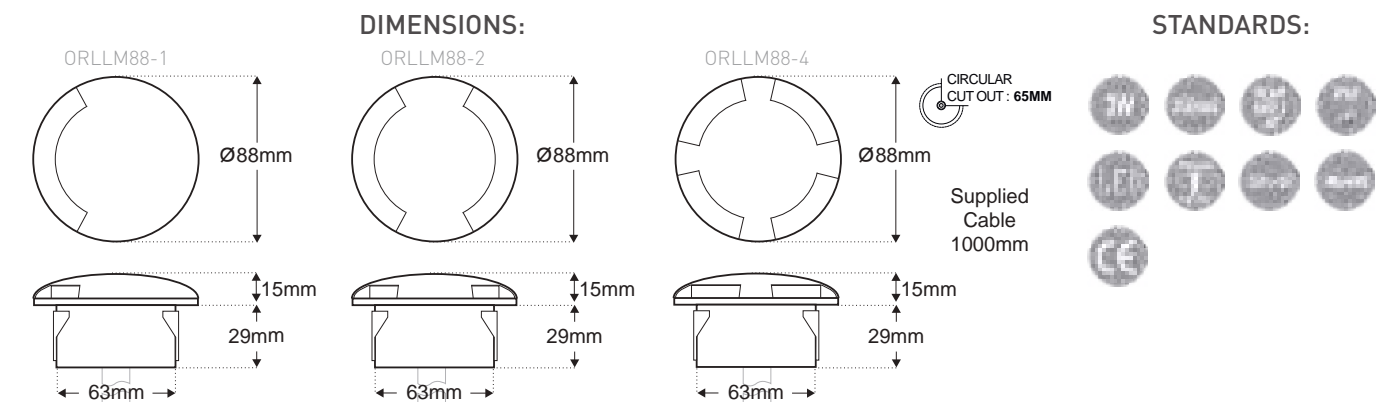
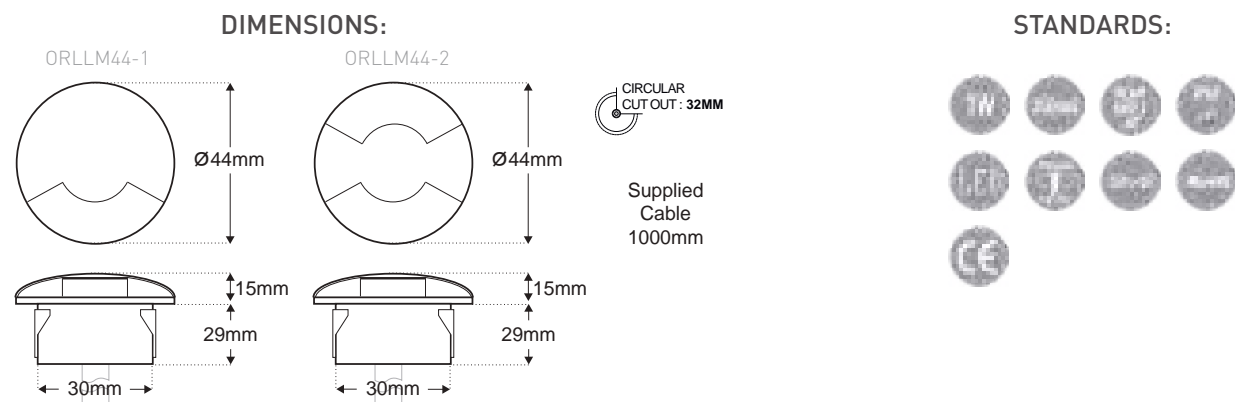


ORLLM44-1 & ORLLM44-2 - Mini 1 & 2 Ways LED Fixture

Mini Marine Grade 316 Stainless Steel in-ground single and dual marker light complete with integral CREE LED package. Fixture rated to IP68, allowing submersion in water thus negating common issues arising from lack of soil drainage. Configured to 40 degree beam as standard, product functions with 350mA constant current IP68 in-line driver. No mechanical joints to light source ensures robust protection against water ingress. Product runs cool, meeting all "touch temperature" requirements.

ORLLM88-1, ORLLM88-2 & ORLLM88-4 - Medium 1, 2 & 4 Ways LED Fixture

Marine Grade 316 Stainless Steel inground single, dual and quad marker light complete with integral CREE LED package. Fixture rated to IP68, allowing submersion in water thus negating common issues arising from lack of soil drainage. Configured to 40 degree beam as standard, product functions with 350mA constant current driver. No mechanical joints to light source ensures robust protection against water ingress. Product runs cool, meeting all "touch temperature" requirements.



PRODUCT CODING

PRODUCT CODE	FINISH	COLOUR TEMPERATURE	WATTAGE	LUMENS	DIMMABLE OPTIONS
ORLLM44-1	SS	3000K	1W	21LM	---
ORLLM44-2	SS	3000K	1W	26LM	---

PRODUCT CODING

PRODUCT CODE	FINISH	COLOUR TEMPERATURE	WATTAGE	LUMENS	DIMMABLE OPTIONS
ORLLM88-1	SS	3000K / 5000K	3W	240LM / 270LM	---
ORLLM88-2	SS	3000K / 5000K	3W	240LM / 270LM	---
ORLLM88-4	SS	3000K / 5000K	3W	240LM / 270LM	---



## KIDBROOKE VILLAGE - PHASE 1

Lighting to multiphase residential development.

Private Apartments, Landlord Areas and Communal Areas.



15W ELEVATED SPIKE LIGHT

MARINE GRADE LED SPIKE FIXTURE

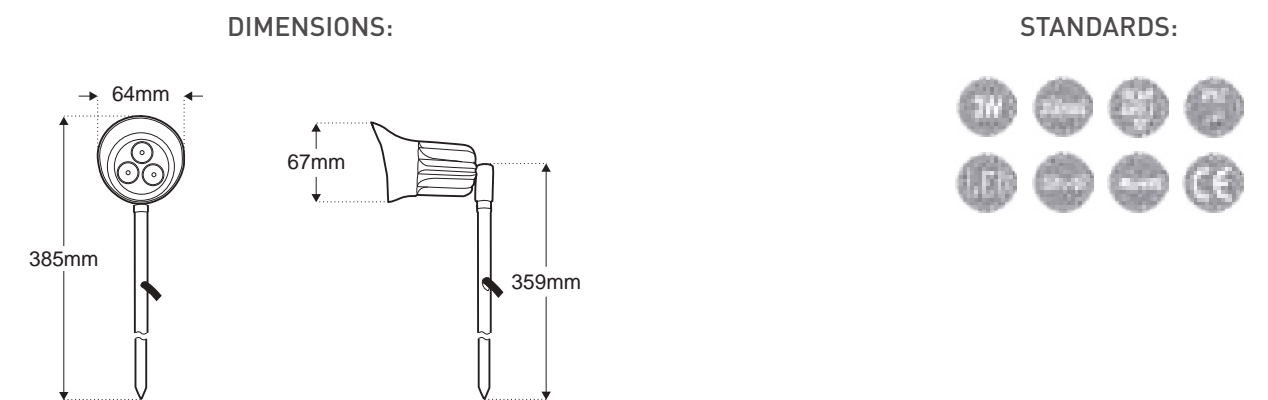
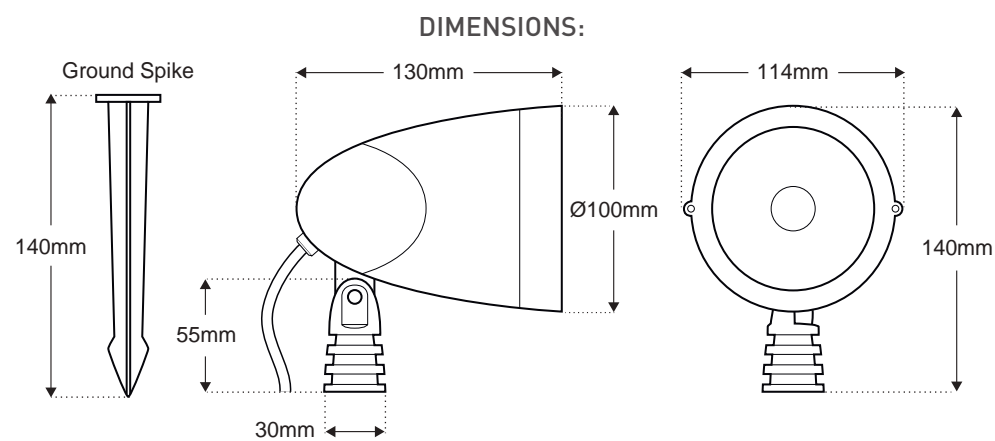


ORLLMS16 - Elevated Spike Light

Spike mounted LED flood fixture. Featuring an aluminium body with polyester powdercoat.

ORLLM66 - 3W LED Spike Light

Marine Grade 316 Stainless Steel in-ground spike fixture complete with integral CREE LED package. Configured to 20 degree beam as standard, product functions with 350mA constant current driver. Product runs cool, meeting all "touch temperature" requirements.



PRODUCT CODING

PRODUCT CODE	FINISH	COLOUR TEMPERATURE	WATTAGE	LUMENS	DIMMABLE OPTIONS
ORLLMS16	BL	3000K / 6000K	15W	1200LM	---
ORLLMS16	RAL 6025	3000K / 6000K	15W	1200LM	---

PRODUCT CODING

PRODUCT CODE	FINISH	COLOUR TEMPERATURE	WATTAGE	LUMENS	DIMMABLE OPTIONS
ORLLM66	3W	3000K / 5000K	3W	240LM / 270LM	---

# SPIKE LIGHTS

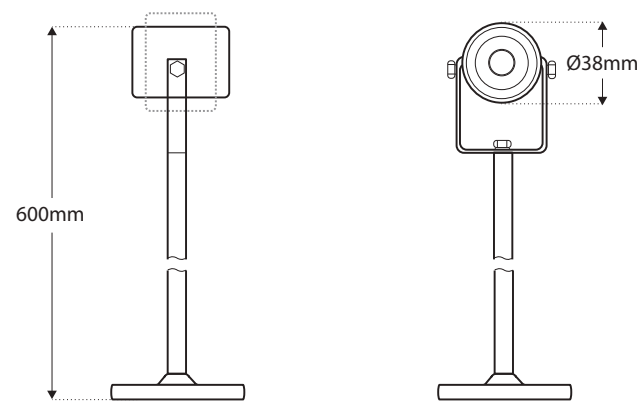
## MARINE GRADE ELEVATED LED FIXTURE



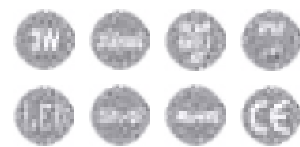
### ORLLM600 - 3W Elevated LED Spike Light

Marine Grade 316 Stainless Steel surface mounted fixture complete with integral CREE LED package. Fixture rated to IP68 allowing submersion in water, thus negating common issues arising from lack of soil drainage. Configured to 60 degree beam as standard, product functions with 350mA constant current driver. Product runs cool, meeting all "touch temperature" requirements. Elevated light source (500mm) allows for a "downlight" effect to be created to paths and boundaries.

#### DIMENSIONS:



#### STANDARDS:



#### PRODUCT CODING

PRODUCT CODE	FINISH	COLOUR TEMPERATURE	WATTAGE	LUMENS	DIMMABLE OPTIONS
ORLLM600	SS	3000K / 5000K	3W	240LM / 270LM	---



#### ST. EDMUNDS TERRACE

Complete lighting Turnkey solution to all areas.  
Private Apartments, Landlord Areas, Special Rooms and Landscaped Exteriors.

# SURFACE MOUNTED PROJECTORS

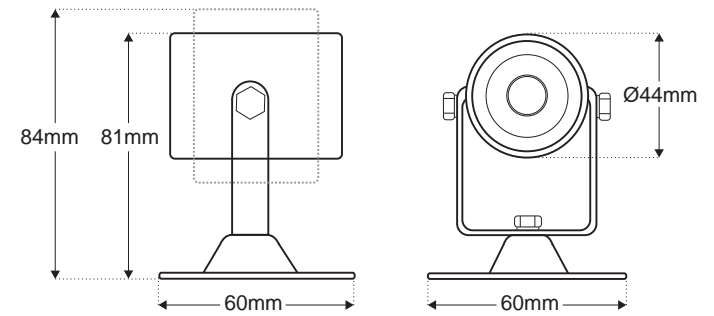
## MARINE GRADE MINI PROJECTOR



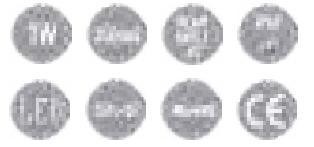
### ORLLM78 - Mini Surface Mounted Projector

Marine Grade 316 Stainless Steel miniature surface mounted fixture complete with integral CREE LED package. Fixture rated to IP68, allowing submersion in water thus negating common issues arising from lack of soil drainage. Configured to 45 degree beam as standard. Product runs cool, meeting all "touch temperature" requirements. Ideal as a surface mounted miniature marker light.

#### DIMENSIONS:



#### STANDARDS:



#### PRODUCT CODING

PRODUCT CODE	FINISH	COLOUR TEMPERATURE	WATTAGE	LUMENS	DIMMABLE OPTIONS
ORLLM78	SS	3000K / 5000K	1W	80LM / 90LM	---

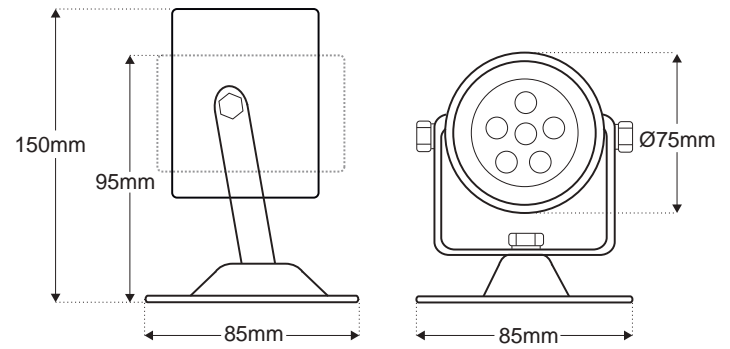
## MARINE GRADE MIDI PROJECTOR



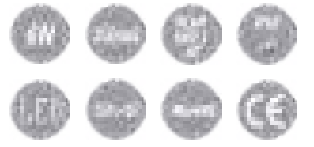
### ORLLM104 - Medium Surface Mounted Projector

Marine Grade 316 Stainless Steel miniature surface mounted fixture complete with integral CREE LED package. Fixture rated to IP68, allowing submersion in water thus negating common issues arising from lack of soil drainage. Configured to 40 degree beam as standard. Product runs cool, meeting all "touch temperature" requirements. Ideal as a surface mounted miniature marker light.

#### DIMENSIONS:



#### STANDARDS:



#### PRODUCT CODING

PRODUCT CODE	FINISH	COLOUR TEMPERATURE	WATTAGE	LUMENS	DIMMABLE OPTIONS
ORLLM104	SS	3000K / 5000K	6W	480LM / 540LM	---





**GREAT MINSTER HOUSE**

Complete lighting Turnkey solution to all areas.  
Private Apartments, Landlord Areas, Special Rooms and Landscaped Exteriors.

# DISPLAY LIGHT

## 1W MINI DISPLAY LIGHT

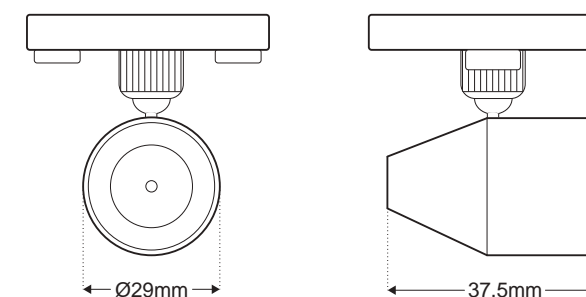


ORLLM732S SS

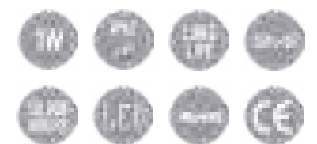
### ORLLM732S - 1W Mini Display Light

The ORLLM732 miniature display light is stylish and decorative. The item features stainless steel construction rated to IP65, making this product suitable for both interior and exterior applications. The product is directional and thus perfect for lighting focal features on the wall or within display cabinets. Incorporates an integrated CREE LED white chipset powered at 1W. A low energy, no maintenance solution.

#### DIMENSIONS:



#### STANDARDS:



#### PRODUCT CODING

PRODUCT CODE	FINISH	COLOUR TEMPERATURE	WATTAGE	LUMENS	DIMMABLE OPTIONS
ORLLM732S	SS	5000K	1W	100LM	---

A wide-angle photograph of the Riverside Quarter, a modern residential development. The image shows several multi-story buildings with glass facades and balconies, situated along a waterfront. In the foreground, there is a body of water with several houseboats docked at a pier. The sky is blue with scattered white clouds.

## RIVERSIDE QUARTER

Complete lighting Turnkey solution to all areas.

Private Apartments, Landlord Areas and  
Landscaped Exteriors.

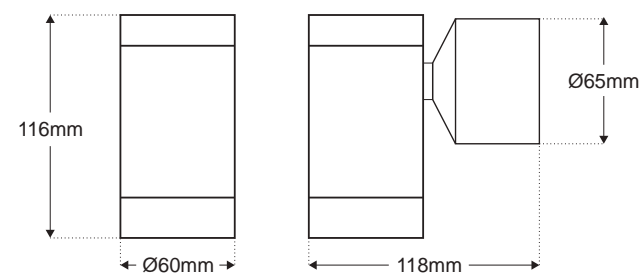
## 1 WAY WALL LIGHT



### ORL3010 - 1 Way Wall Light

High specification down only exterior fixture, featuring Marine Grade 316 Stainless Steel construction rated to IP65. Includes integrated GU10 lampholder suitable for 240V input allowing ease of installation, without the need for additional drivers. Compatible with LED retrofit GU10 solutions.

#### DIMENSIONS:



#### STANDARDS:



#### PRODUCT CODING

PRODUCT CODE	FINISH	LAMP TYPE	WATTAGE	COLOUR TEMPERATURE	LUMENS
ORL3010	SS	1 x GU10	---	---	---

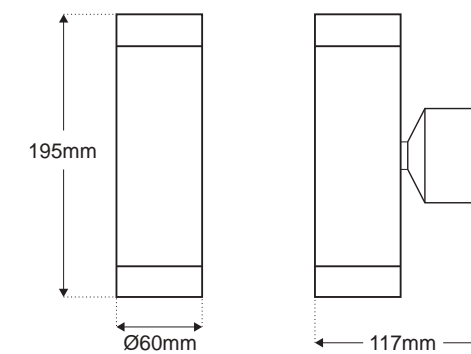
## 2 WAY WALL LIGHT



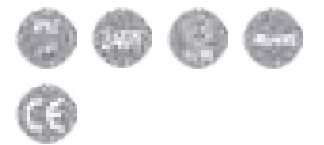
### ORL3009A - 2 Way Wall Light

High specification up & down exterior fixture, featuring Marine Grade 316 Stainless Steel construction rated to IP65. Includes integrated GU10 lampholders suitable for 240V input allowing ease of installation, without the need for additional drivers. Compatible with LED retrofit GU10 solutions.

#### DIMENSIONS:



#### STANDARDS:



#### PRODUCT CODING

PRODUCT CODE	FINISH	LAMP TYPE	WATTAGE	COLOUR TEMPERATURE	LUMENS
ORL3009A	SS	2 x GU10	---	---	---



## 1 WAY LARGE WALL LIGHT

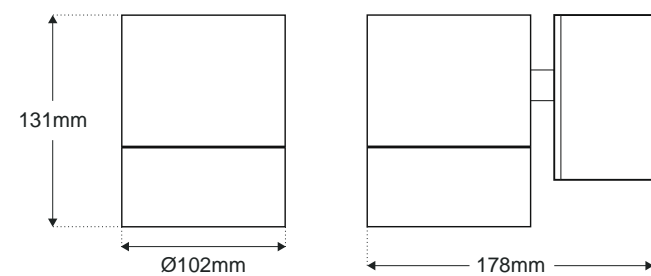


ORL3012 SS

### ORL3012 - 1 Way Large Wall Light

High specification large down only exterior fixture featuring Marine Grade 316 Stainless Steel construction rated to IP65. GU10 lampholder suitable for 240V input allowing ease of installation without the need for additional drivers. Compatible with LED retrofit GU10 solutions.

#### DIMENSIONS:



#### STANDARDS:



#### PRODUCT CODING

PRODUCT CODE	FINISH	LAMP TYPE	WATTAGE	COLOUR TEMPERATURE	LUMENS
ORL3012	SS	1 x GU10	---	---	---

## 2 WAY LARGE WALL LIGHT

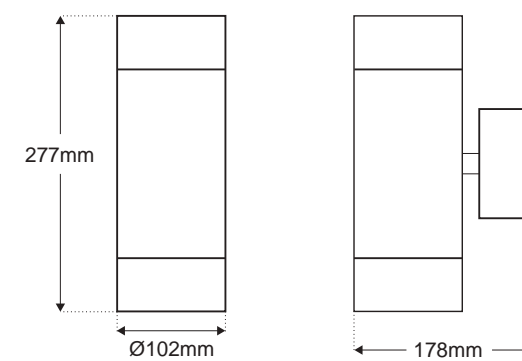


ORL3011 SS

### ORL3011 - 2 Way Large Wall Light

High specification large up & down exterior fixture featuring Marine Grade 316 Stainless Steel construction rated to IP65. GU10 lampholder suitable for 240V input allowing ease of installation without the need for additional drivers. Compatible with LED retrofit GU10 solutions.

#### DIMENSIONS:



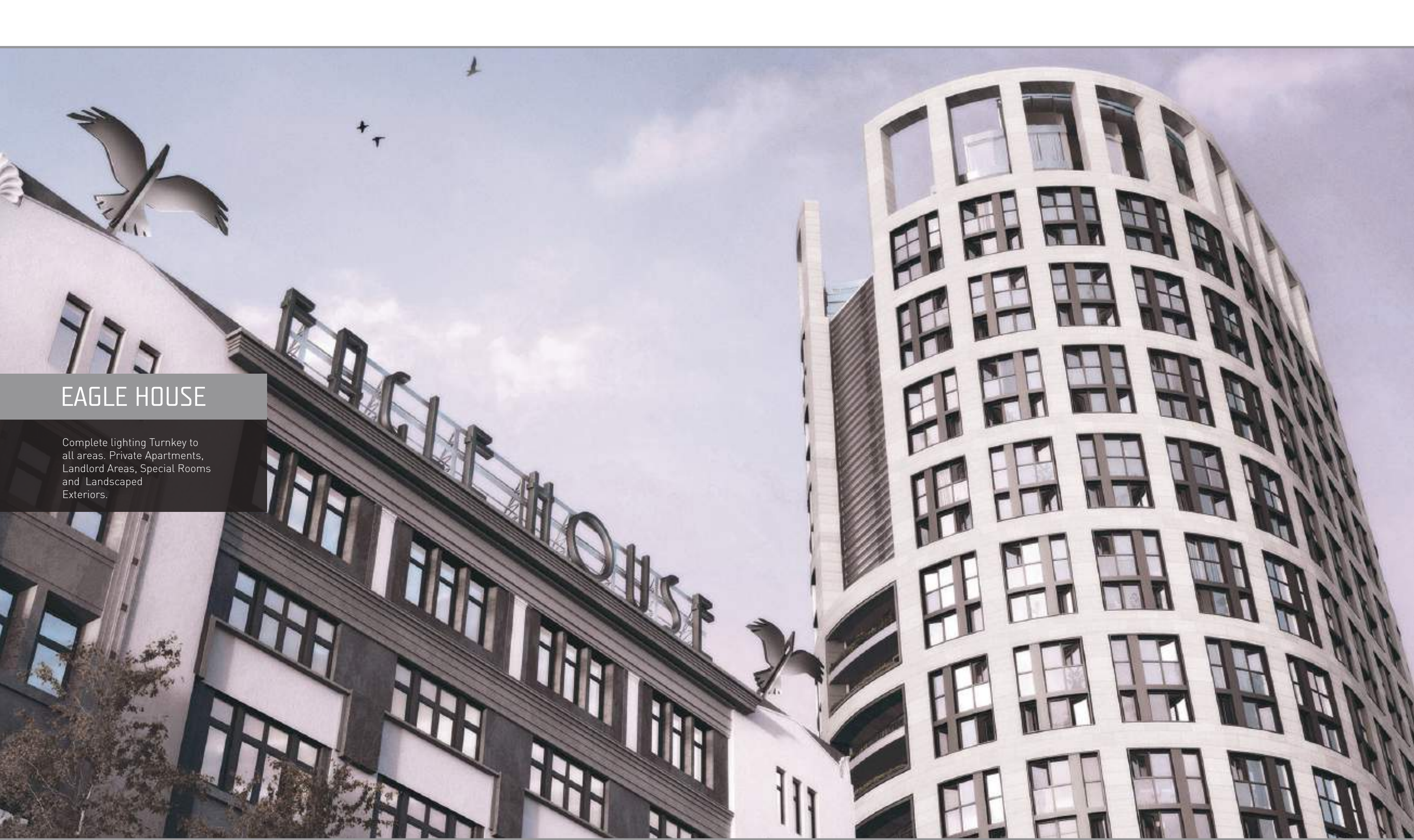
#### STANDARDS:



#### PRODUCT CODING

PRODUCT CODE	FINISH	LAMP TYPE	WATTAGE	COLOUR TEMPERATURE	LUMENS
ORL3011	SS	2 x GU10	---	---	---





## EAGLE HOUSE

Complete lighting Turnkey to all areas. Private Apartments, Landlord Areas, Special Rooms and Landscaped Exteriors.



## 1 WAY STAINLESS STEEL LED FIXTURE

## 2 WAY STAINLESS STEEL LED FIXTURE



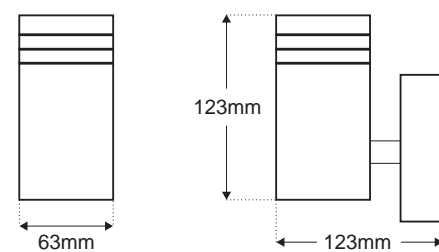
### SS1 - 1 Way Wall Light

The SS1 Up or Down fixture creates an upward or downward lighting effect. GU10 lampholder suitable for 240V input allowing ease of installation without the need for additional drivers. Compatible with LED retrofit GU10 solutions.

### SS2- 2 Way Wall Light

The SS2 Up & Down fixture creates an attractive pillar lighting effect. GU10 lampholder suitable for 240V input allowing ease of installation without the need for additional drivers. Compatible with LED retrofit GU10 solutions.

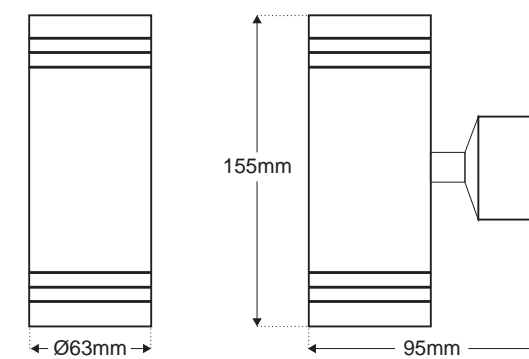
#### DIMENSIONS:



#### STANDARDS:



#### DIMENSIONS:



#### STANDARDS:



#### PRODUCT CODING

PRODUCT CODE	FINISH	LAMP TYPE	WATTAGE	COLOUR TEMPERATURE	LUMENS
SS1	SS	1 x GU10	---	---	---

#### PRODUCT CODING

PRODUCT CODE	FINISH	LAMP TYPE	WATTAGE	COLOUR TEMPERATURE	LUMENS
SS2	SS	2 x GU10	---	---	---



# 3082 WALL LIGHT SERIES

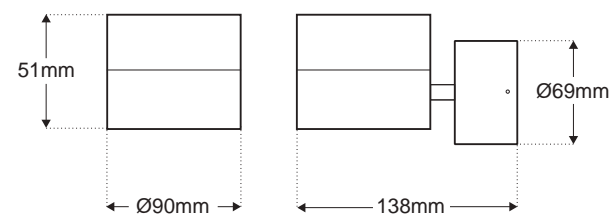
## 1 WAY ALUMINIUM LED WALL FIXTURE



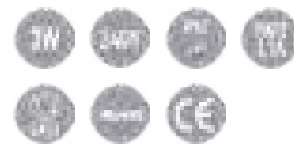
### ORL3082-1 - One Way LED Wall Light

Aluminium LED wall fixture suitable for external applications. 240V input retrofit light source's.

#### DIMENSIONS:



#### STANDARDS:



#### PRODUCT CODING

PRODUCT CODE	FINISH	LAMP TYPE	WATTAGE	COLOUR TEMPERATURE	LUMENS
ORL3082-1	AL	GX53	3W	3000K	210LM

# 3082 WALL LIGHT SERIES

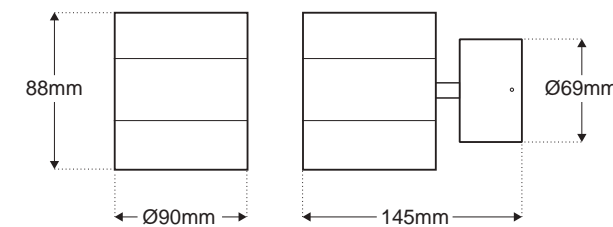
## 2 WAY ALUMINIUM LED WALL FIXTURE



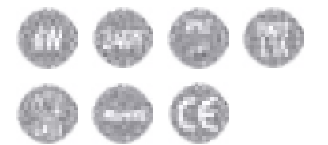
### ORL3082-2 - Two Way LED Wall Light

Aluminium LED wall fixture suitable for external applications. 240V input retrofit light source's.

#### DIMENSIONS:

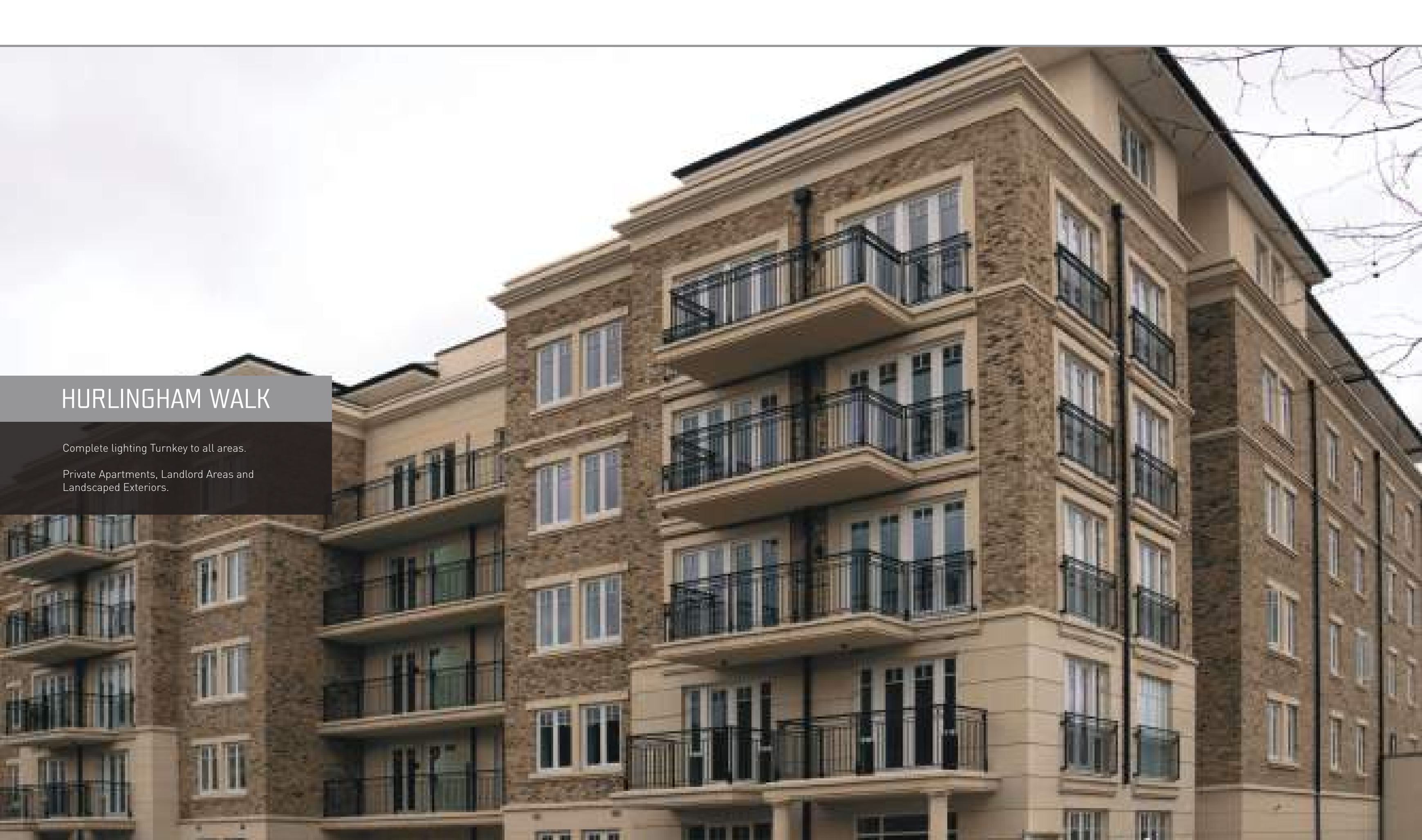


#### STANDARDS:



#### PRODUCT CODING

PRODUCT CODE	FINISH	LAMP TYPE	WATTAGE	COLOUR TEMPERATURE	LUMENS
ORL3082-2	AL	GX53	2 x 3W	3000K	420LM



## HURLINGHAM WALK

Complete lighting Turnkey to all areas.

Private Apartments, Landlord Areas and  
Landscaped Exteriors.

# DIAGONAL WALL LIGHTS

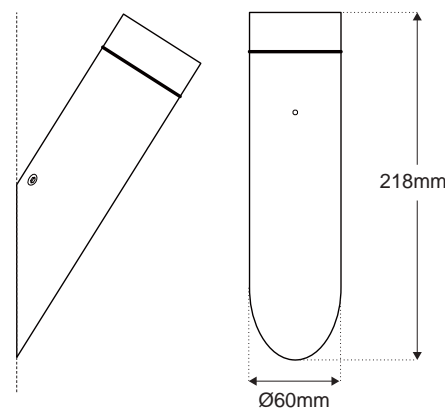
## MARINE GRADE STAINLESS STEEL WALL FIXTURE



### ORL3018 - Marine Grade Wall Fixture

High specification exterior wall fixture, Marine Grade 316 Stainless Steel construction rated to IP65. Suitable for 240V input allowing ease of installation without the need for additional drivers. Suitable for retrofit LED light source's.

#### DIMENSIONS:



#### STANDARDS:



#### PRODUCT CODING

PRODUCT CODE	FINISH	LAMP TYPE	WATTAGE	COLOUR TEMPERATURE	LUMENS
ORL3018	SS	GU10	---	---	---

# DIAGONAL WALL LIGHTS

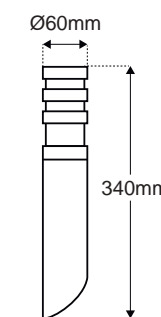
## MARINE GRADE STAINLESS STEEL WALL FIXTURE



### ORL3021 - Marine Grade Wall Fixture

High specification exterior wall fixture, Marine Grade 316 Stainless Steel construction rated to IP65. Suitable for 240V input allowing ease of installation without the need for additional drivers. Suitable for retrofit LED light source's.

#### DIMENSIONS:



#### STANDARDS:



#### PRODUCT CODING

PRODUCT CODE	FINISH	LAMP TYPE	WATTAGE	COLOUR TEMPERATURE	LUMENS
ORL3021	SS	E27	---	---	---



# VERTICAL WALL LIGHT

# BOLLARD SERIES

## MARINE GRADE STAINLESS STEEL WALL FIXTURE

## MARINE GRADE STAINLESS STEEL BOLLARDS



ORL3020 SS



ORL3026-20 SS



ORL3026-30 SS



ORL3026-60 SS

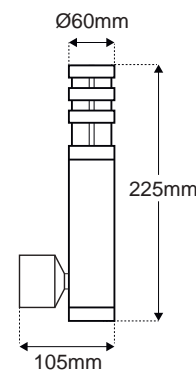
### ORL3020 - E27 Vertical Wall Light

High specification exterior wall fixture, Marine Grade 316 stainless steel construction rated to IP65. Suitable for 240V input allowing ease of installation without the need for additional drivers. Suitable for retrofit LED light sources.

### ORL3026-20, ORL3026-30 & ORL3026-60 - Multi Height 3026 Bollards

Stainless steel decorative external bollards, suitable for retrofit LED light sources.

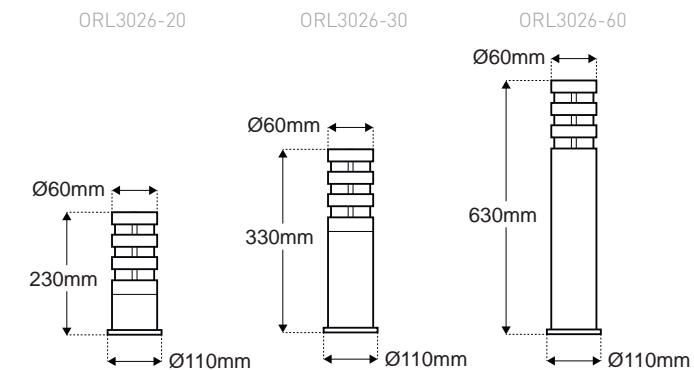
#### DIMENSIONS:



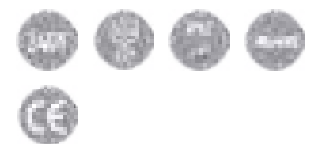
#### STANDARDS:



#### DIMENSIONS:



#### STANDARDS:



#### PRODUCT CODING

PRODUCT CODE	FINISH	LAMP TYPE	WATTAGE	COLOUR TEMPERATURE	LUMENS
ORL3020	SS	E27	---	---	---

#### PRODUCT CODING

PRODUCT CODE	FINISH	LAMP TYPE	WATTAGE	COLOUR TEMPERATURE	LUMENS
ORL3026-20	SS	E27	---	---	---
ORL3026-30	SS	E27	---	---	---
ORL3026-60	SS	E27	---	---	---



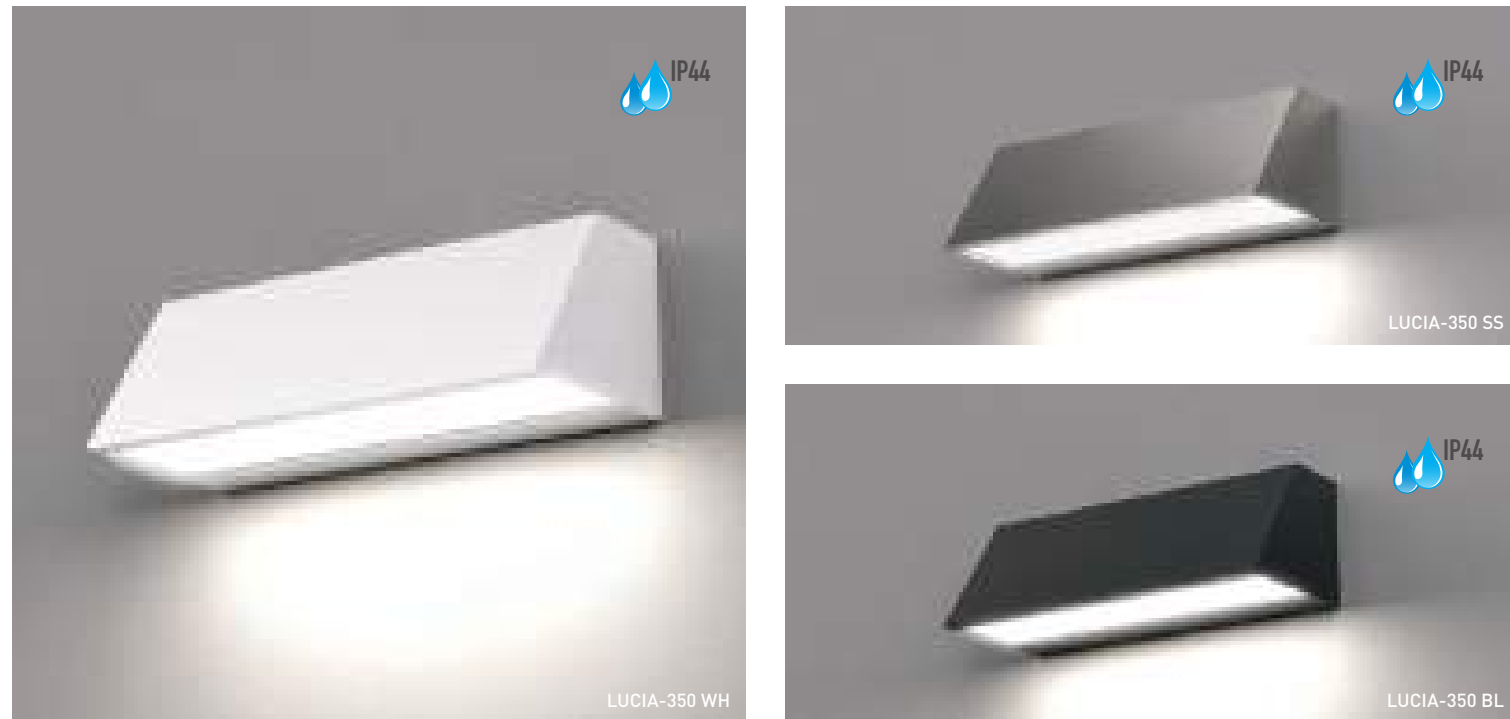
## TRENCHARD HOUSE

Complete lighting Turnkey to all areas.

Private Apartments, Landlord Areas and  
Landscaped Exteriors.

DECORATIVE EXTERNAL WALL FIXTURE

DECORATIVE EXTERNAL WALL FIXTURE



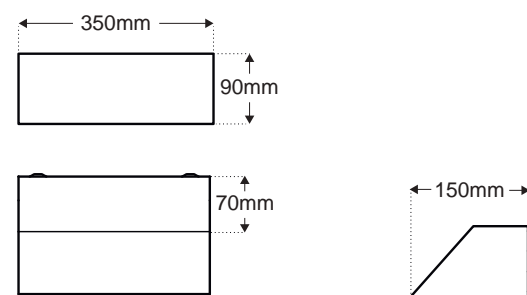
LUCIA-350 - Medium LED Wall Light

Decorative external wall fixture for use with retrofit LED light source. Rated to IP44, housing specially designed to maximise directioned light output with sharp cut offs. Rigid bow LED with advanced heat management safety system.

LUCIA-500 - Large LED Wall Light

Decorative external wall fixture for use with retrofit LED light source. Rated to IP44, housing specially designed to maximise directioned light output with sharp cut offs. Rigid bow LED with advanced heat management safety system.

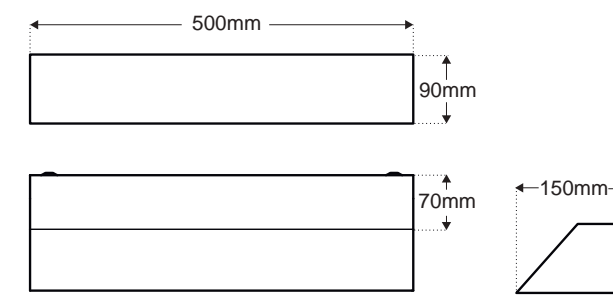
DIMENSIONS:



STANDARDS:



DIMENSIONS:



STANDARDS:



PRODUCT CODING

PRODUCT CODE	FINISH	LAMP TYPE	WATTAGE	COLOUR TEMPERATURE	LUMENS
LUCIA-350	WH	TDE27LED	10W	3000K / 4000K	Up To 600LM
LUCIA-350	SS	TDE27LED	10W	3000K / 4000K	Up To 600LM
LUCIA-350	BL	TDE27LED	10W	3000K / 4000K	Up To 600LM

PRODUCT CODING

PRODUCT CODE	FINISH	LAMP TYPE	WATTAGE	COLOUR TEMPERATURE	LUMENS
LUCIA-500	WH	TDE27LED	20W	3000K / 4000K	Up To 1200LM
LUCIA-500	SS	TDE27LED	20W	3000K / 4000K	Up To 1200LM
LUCIA-500	BL	TDE27LED	20W	3000K / 4000K	Up To 1200LM





## 101 FARM LANE

Complete lighting Turnkey to all areas.

Private Apartments, Landlord Areas and Landscaped Exteriors.

LED BULKHEAD

LED BULKHEAD WITH EYELID



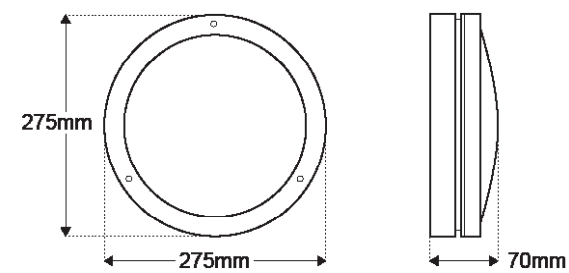
ORLBH16-LED - Medium LED Bulkhead

Robust external LED wall fixture suited to wall and ceiling mounting. Ideal for facades and balcony areas.

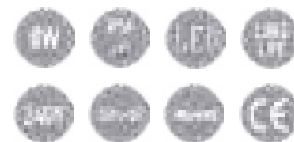
ORLBH16LED-E - Medium LED Bulkhead with Eyelid

Robust external LED wall fixture suited to wall mounting. Ideal for facades and balcony areas.

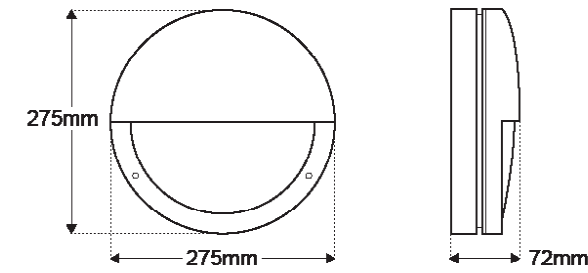
DIMENSIONS:



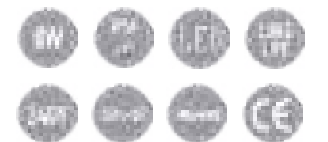
STANDARDS:



DIMENSIONS:



STANDARDS:



PRODUCT CODING

PRODUCT CODE	FINISH	LAMP TYPE	WATTAGE	COLOUR TEMPERATURE	LUMENS
ORLBH16-LED	WH	Solid State LED Chipset	8W	4000K	560LM
ORLBH16-LED	BL	Solid State LED Chipset	8W	4000K	560LM
ORLBH16-LED	RAL 7015	Solid State LED Chipset	8W	4000K	560LM

PRODUCT CODING

PRODUCT CODE	FINISH	LAMP TYPE	WATTAGE	COLOUR TEMPERATURE	LUMENS
ORLBH16LED-E	WH	Solid State LED Chipset	8W	4000K	560LM
ORLBH16LED-E	BL	Solid State LED Chipset	8W	4000K	560LM
ORLBH16LED-E	RAL 7015	Solid State LED Chipset	8W	4000K	560LM

LARGE LED BULKHEAD

LARGE LED BULKHEAD WITH EYELID



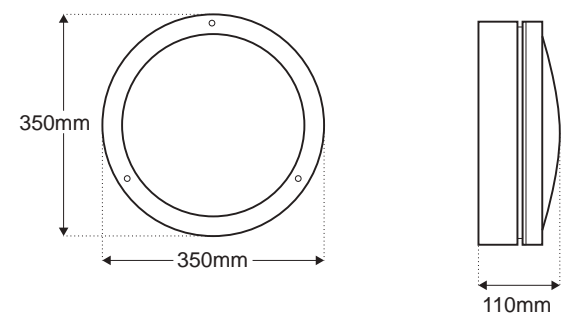
**ORLBH28-LED - Large LED Bulkhead**

Robust external LED wall fixture suited to wall and ceiling mounting. Ideal for facades and balcony areas.

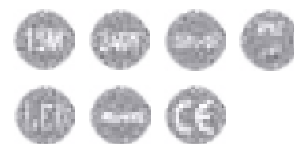
**ORLBH28LED-E - Medium LED Bulkhead with Eyelid**

Robust external LED wall fixture suited to wall and ceiling mounting. Ideal for facades and balcony areas.

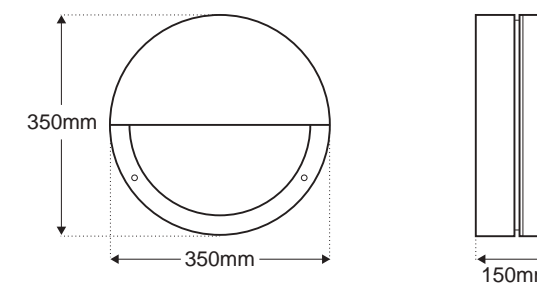
**DIMENSIONS:**



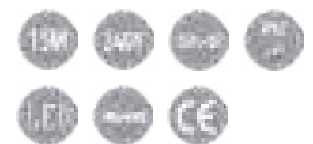
**STANDARDS:**



**DIMENSIONS:**



**STANDARDS:**



**PRODUCT CODING**

PRODUCT CODE	FINISH	LAMP TYPE	WATTAGE	COLOUR TEMPERATURE	LUMENS
ORLBH28-LED	BL	Solid State LED Chipset	15W	4000K	1200LM

**PRODUCT CODING**

PRODUCT CODE	FINISH	LAMP TYPE	WATTAGE	COLOUR TEMPERATURE	LUMENS
ORLBH28LED-E	BL	Solid State LED Chipset	15W	4000K	1200LM





## GREENWICH PENINSULA - HUB

Complete lighting Turnkey solution within Marketing Suite for this multiphase Residential Development.

Supplied lighting throughout Gateway Pavilion and Marketing Suite.

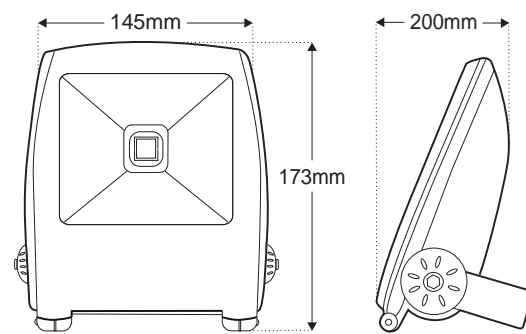
## 10W LED FLOODLIGHT



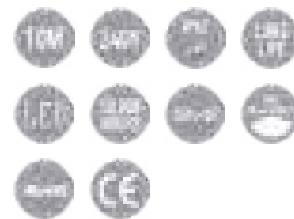
### LEDFL10 - 10W LED Floodlight

10W LED flood light with Die Cast Aluminium IP65 construction and 5mm strengthened glass combined with reflector to maximize light output. A 100 degree beam angle creates a flood lighting effect. High Specification internal circuitry accommodates an input voltage ranging from 100 - 240V, as well as Bridge Lux Chipset rated to 50,000 hours. A Low heat emission and maintenance free solution. Approx equivalent output - 120W

#### DIMENSIONS:



#### STANDARDS:



#### PRODUCT CODING

PRODUCT CODE	FINISH	LAMP TYPE	WATTAGE	COLOUR TEMPERATURE	LUMENS
LEDFL10	BL	Solid State LED Chipset	10W	6000K	1000LM

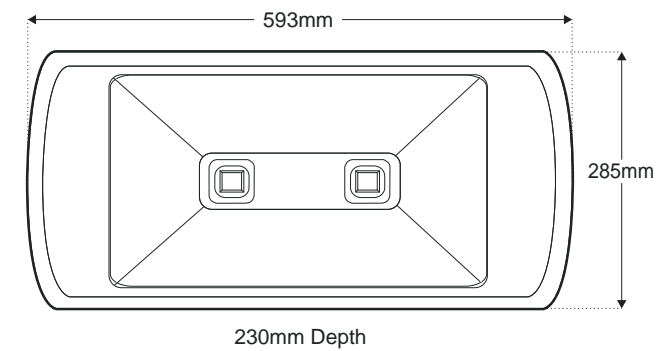
## 140W LED FLOODLIGHT



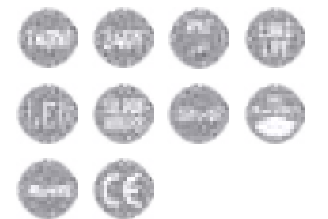
### LEDFL140 - 140W LED Floodlight

140W LED flood light with Die Cast Aluminium IP65 construction and 5mm strengthened glass combined with reflector to maximize light output. A 100 degree beam angle creates a flood lighting effect. High Specification internal circuitry accommodates input voltage ranging from 100 - 240V, as well as Bridge Lux Chipset rated to 50,000 hours. A Low heat emission and maintenance free solution. Approx equivalent output - 1000W

#### DIMENSIONS:



#### STANDARDS:



#### PRODUCT CODING

PRODUCT CODE	FINISH	LAMP TYPE	WATTAGE	COLOUR TEMPERATURE	LUMENS
LEDFL140	BL	Solid State LED Chipset	140W	6000K	14000LM

## CLASSIC ROOT MOUNTED LAMP POST



### ONE ST. GEORGE WHARF

Orlight provided all Linear Lighting solutions within this magnificent residential tower which is Europe's largest. Dealing with a fast paced fit out we responded with same day deliveries of bulk orders. Orlight also provided state of the art lighting to the carpark within the basement levels as well as Exterior lighting to the Promenade.



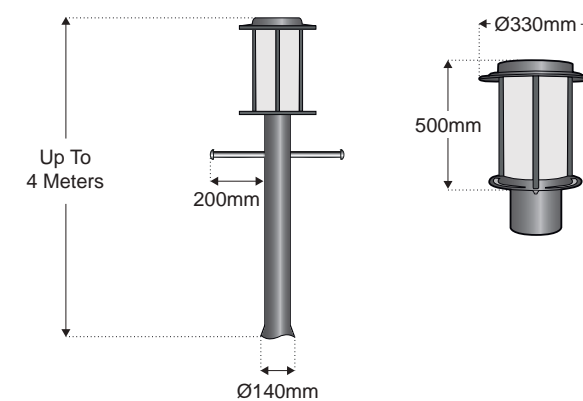
ORLSGPGWP BL

### ORLSGPGWP - Classic Root Mounted Lamp Post

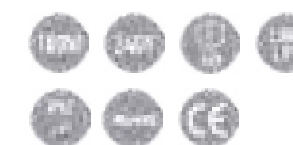
A root mounted lighting post with steel construction, hot zinc treated to provide higher level of protection and external architectural paint.

Lantern head comprising of 100W, 2000K lamp complete with control gear and opal optical assembly.

#### DIMENSIONS:



#### STANDARDS:



#### PRODUCT CODING

PRODUCT CODE	FINISH	COLOUR TEMPERATURE	WATTAGE	LUMENS	DIMMABLE OPTIONS
ORLSGPGWP	BL	2000K	100W	...	---



# LAMP POSTS

## MODERN ARCHITECTURAL LED LAMP POST

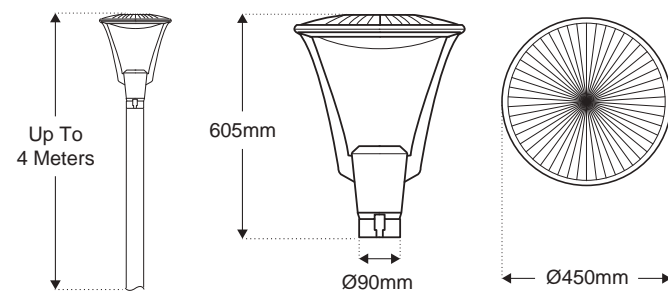


### ORLLH - Modern Architectural LED Lamp Post

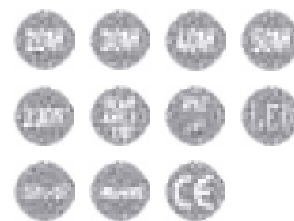
A root mounted lighting post, steel construction, hot zinc treated to provide higher level of protection and external architectural paint.

Lantern head complete with control gear and opal optical assembly.

#### DIMENSIONS:



#### STANDARDS:

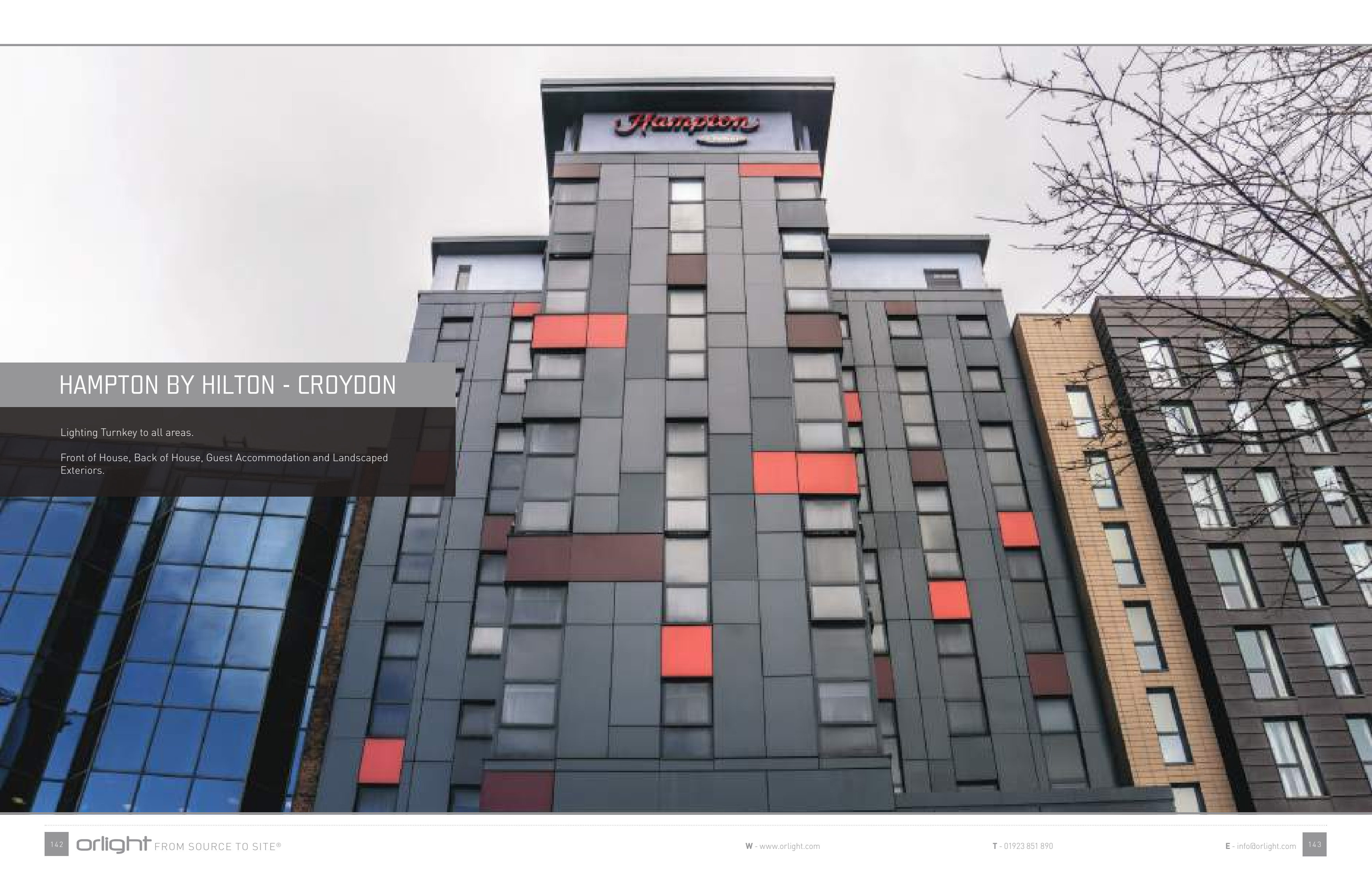


#### PRODUCT CODING

PRODUCT CODE	FINISH	COLOUR TEMPERATURE	WATTAGE	LUMENS	DIMMABLE OPTIONS
ORLLH	BL	4000K	20W	2000LM	---
ORLLH	BL	4000K	30W	3000LM	---
ORLLH	BL	4000K	40W	3500LM	---
ORLLH	BL	4000K	50W	4350LM	---



**ALBANY HOUSE**  
Complete lighting Turnkey solution.  
Private Apartments, Landlord Areas, Special Rooms and Landscaped Exteriors.



## HAMPTON BY HILTON - CROYDON

Lighting Turnkey to all areas.

Front of House, Back of House, Guest Accommodation and Landscaped Exteriors.

# ROUND FLOOR LIGHTS

## GU10 INGROUND LIGHT



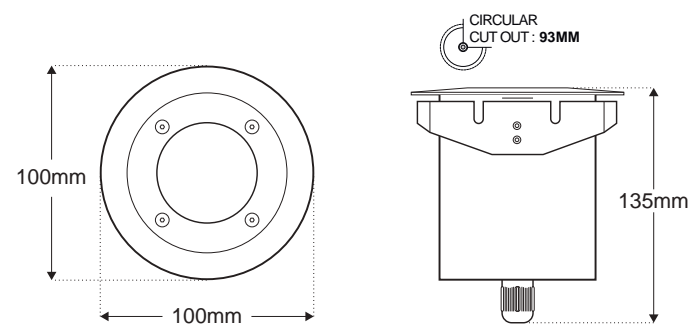
IP67

ORL5127 SS

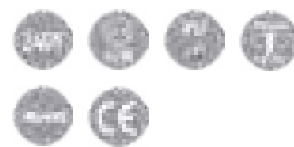
### ORL5127 - GU10 Inground Light

Stainless Steel 316 inground fixture with IP67 construction and strengthened clear glass diffuser. Integral GU10 lampholder accommodates for direct 240V input, simplifying installation. Compatible with Max. 50W halogen lamp type or LED retrofit equivalent.

#### DIMENSIONS:



#### STANDARDS:



#### PRODUCT CODING

PRODUCT CODE	FINISH	LAMP TYPE	WATTAGE	LED COLOUR	LUMENS
ORL5127	SS	GU10	---	---	---

# ROUND FLOOR LIGHTS

## INGROUND LOW ENERGY LIGHT



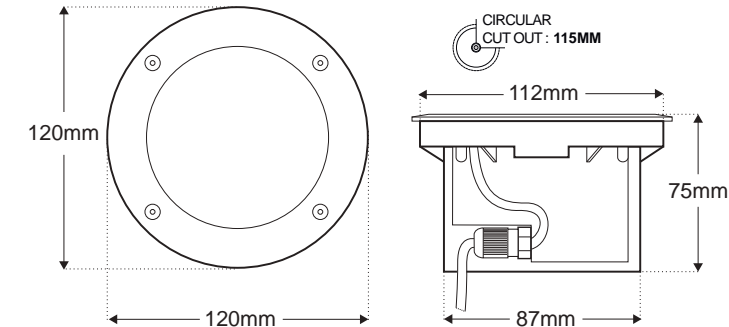
IP67

ORL5125 SS

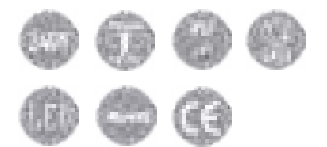
### ORL5125 - Inground Low Energy Light

The ORL5125 low energy fixture features Stainless Steel construction rated to IP67. The fixture includes vandal resistant screws and a 240V input for ease of installation. Compatible with LED GX53 retrofit lamp types.

#### DIMENSIONS:



#### STANDARDS:



#### PRODUCT CODING

PRODUCT CODE	FINISH	LAMP TYPE	WATTAGE	COLOUR TEMPERATURE	LUMENS
ORL5125	SS	GX53	---	---	---



# SQUARE FLOOR LIGHT

## INGROUND LOW ENERGY LIGHT

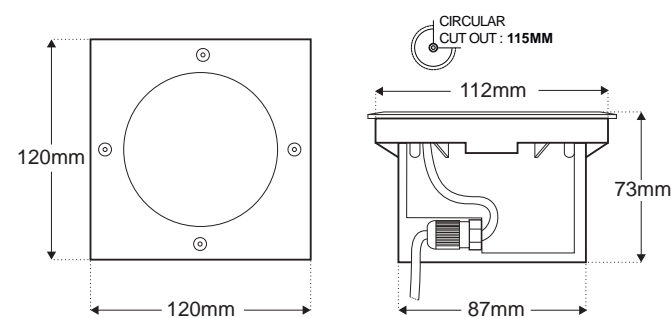


ORL5126 SS

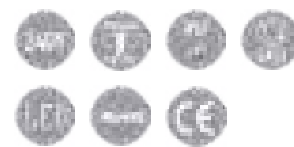
### ORL5126 - Inground Low Energy Light

The ORL5126 low energy fixture features Stainless Steel construction rated to IP67. The fixture includes vandal resistant screws and a 240V input for ease of installation. Compatible with LED GX53 retrofit lamp types.

#### DIMENSIONS:



#### STANDARDS:



#### PRODUCT CODING

PRODUCT CODE	FINISH	LAMP TYPE	WATTAGE	LED COLOURS	LUMENS
ORL5126	SS	GX53	---	---	---



**CUTLERS COURT**  
Lighting solution to levels 3 & 5.  
Supplied Office Suites and Roof Plant Areas.



## IMPERIAL WHARF

Orlight has manufactured and supplied the complete lighting solution for multiple blocks at Imperial Wharf over a 7 year period.

# SAFFRON SQUARE

Complete lighting Turnkey to all areas.



# DESIGNER CEILING LIGHT

## DOUBLE RING DESIGNER CEILING LIGHT



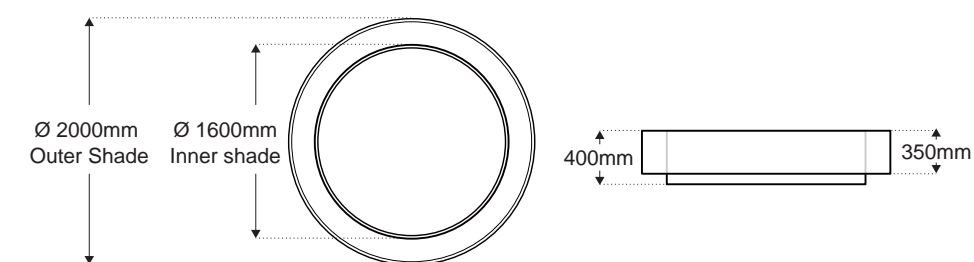
**EAGLE HOUSE**  
Complete lighting Turnkey solution to all areas.  
Private Apartments, Landlord Areas, Special Rooms and Landscaped Exteriors.



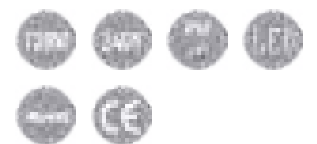
### OVO - Double Ring Designer Ceiling Light

OVO is an elegant ceiling fixture. Suitable for Spa areas, the light source is IP68 rated. It is made on a cylindrical base of 2 meter diameter, into which two rings of Orlight's Lumenflex LED are inlaid. Two drivers are concealed in the void. It has two metal rings held up by metal supports. The rings are covered either in silk or in pre-laminated cotton. The warm toned fabric shades create's a soothing and inviting atmosphere.

#### DIMENSIONS:

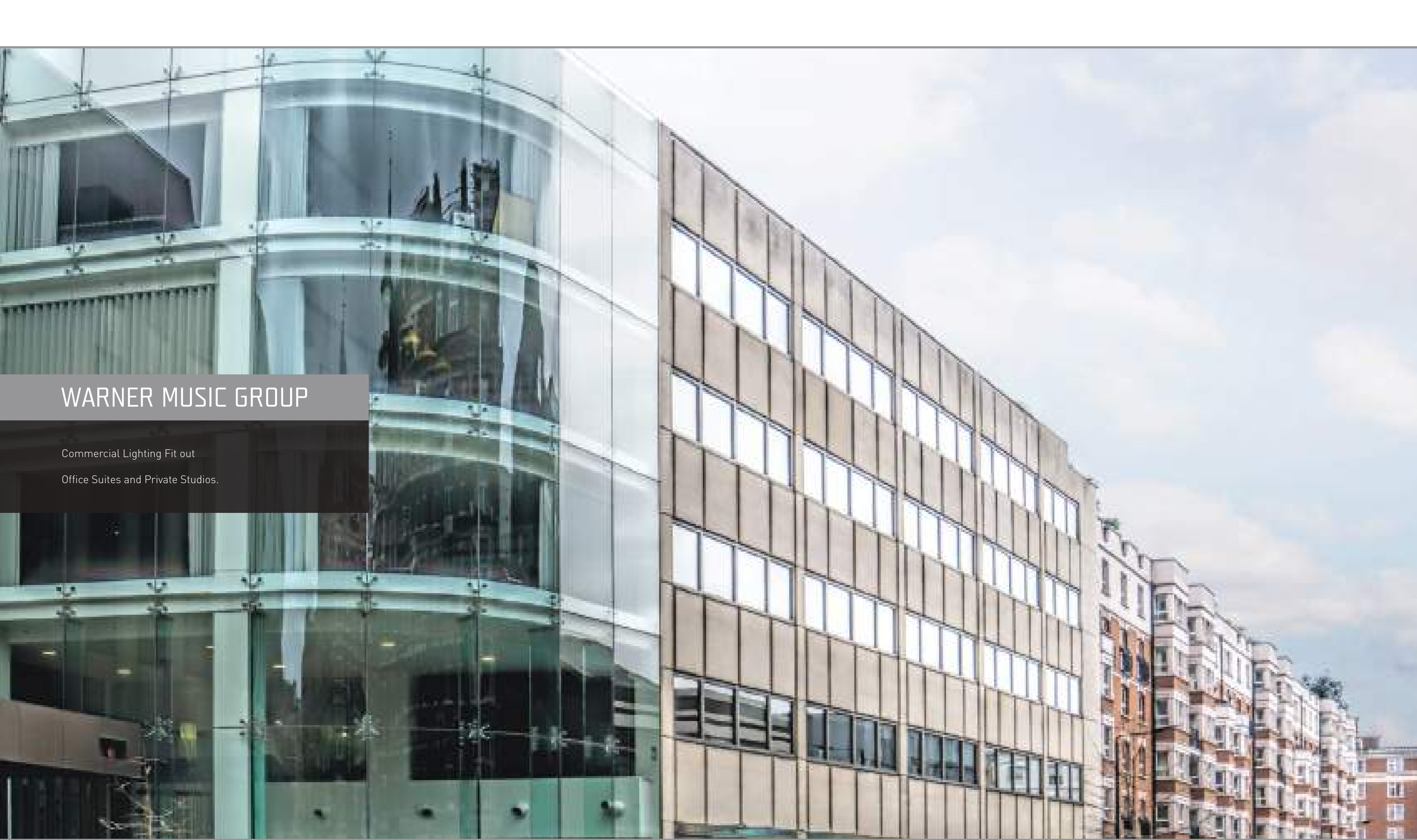


#### STANDARDS:



#### PRODUCT CODING

PRODUCT CODE	FINISH	COLOUR TEMPERATURE	WATTAGE	LUMENS
OVO	SILK & COTTON	2400K / 3000K / 4000K / 5000K	138W	Up to 4830LM



## WARNER MUSIC GROUP

Commercial Lighting Fit out  
Office Suites and Private Studios.

# BESPOKE CEILING LIGHT

## ANTIQUE BRONZE DESIGNER CHANDELIER

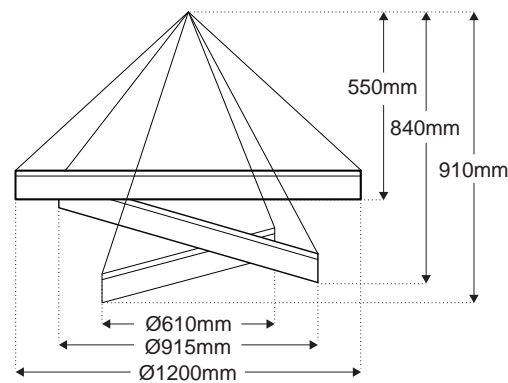


SATURN AB

### SATURN - Antique Bronze Designer Chandelier

Blending a rustic finish and elegant lines and shapes. Saturn, the antique bronze chandelier is not only ideal for luxurious receptions, but also for dining areas and any other high ceiling environment. The dynamism created by the three cascading LED rings contributes to define a unique design. Specific colour temperature and dimensions are available upon request.

#### DIMENSIONS:



#### STANDARDS:



#### PRODUCT CODING

PRODUCT CODE	FINISH	COLOUR TEMPERATURE	WATTAGE	LUMENS
SATURN	ANTIQUE BRONZE	2400K	80W	---



### DORSETT HOTEL

Landmark hotel near London's West End.  
Back of House and Restaurants.



# BESPOKE CORRIDOR LIGHT

## ROMAN BESPOKE CORRIDOR LIGHT

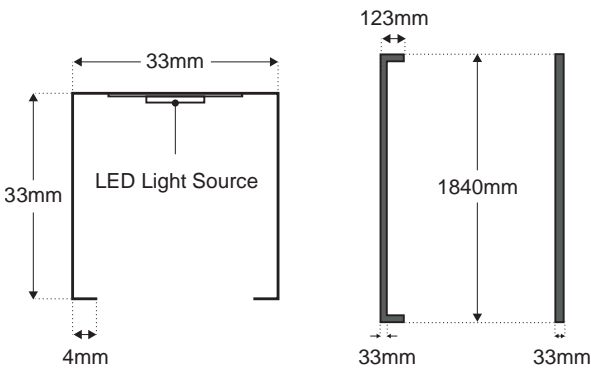


ORLR0MGC BL

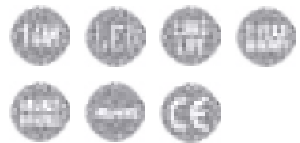
### ORLR0MGCBL - Roman Bespoke Corridor Light

Wall mounted LED wall fixture incorporating 4000K neutral white LED chipset and integral mains dimmable driver. Complete with integral opal diffuser and mounting kit. Also available in different finishes as well as colour temperatures.

#### DIMENSIONS:



#### STANDARDS:



#### PRODUCT CODING

PRODUCT CODE	FINISH	COLOUR TEMPERATURE	WATTAGE	LUMENS
ORLR0MGC	BL	4000K	14W	---



**ROMAN HOUSE**  
Complete lighting Turnkey to all areas.  
Private Apartments, Landlord Areas, Special Rooms and Landscaped Exteriors.



**Disclaimer:**

All product sizes quoted within this publication are for informative purposes and can be subject to change due to product upgrade. Do not cut any holes until stock is confirmed and sample approved on site.