

orlight[®]

.....
FROM SOURCE TO SITE

OUR OBJECTIVE... to manufacture and provide the highest specification lighting products
at dramatically reduced costs whilst negating product lead in time.

This is our unique FROM SOURCE TO SITE[®] strategy.

CONTENTS

INTRODUCTION	04
LINEAR LIGHTING	24
DESIGNER COLLECTION	64
BATHROOM LIGHTING	130

HEAD OFFICE

Victor Way | Radlett Road | Colney Street | St Albans | AL2 2FL

T - 01923 851 890

DESIGN STUDIO & SHOWROOM

The Plaza | 535 Kings Road | Chelsea | London | SW10 0SZ

T - 020 7352 1799

orlight®
FROM SOURCE TO SITE



ALL AREAS COVERED

We can take care of your lighting requirements, with our complete and varied range of architectural products.



orlight[®]

FROM SOURCE TO SITE

Your Turn-key Lighting Supply Partner

Established in 1997, Orlight is a long-standing dominant force within the architectural lighting market. As our mission statement indicates, we pride ourselves on adding value to our clients' propositions. We provide unparalleled lighting products and services delivered in a unique manner to our ever changing and exciting industry sector. Our business model places us, and subsequently our clients, at an advantage - we are manufacturers completely and 100% in command of our supply chain. Quality, research and development, product innovation, testing, procurement, is all down to us. With no third parties involved throughout our manufacturing process, we are able to deliver higher quality products at reduced prices. Substantial stocks held for dispatch within the UK and Europe means that no one is left waiting. Our ability to bulk deliver directly to site at a moment's notice is a competitive advantage to our esteemed clients.

**UK Based
Manufacturer**



FROM SOURCE TO SITE...

Key facts about Orlight

- ◆ Established in 1997
- ◆ Manufacturers of architectural lighting
- ◆ Constantly pushing boundaries with LED
- ◆ In-house lighting design and test facilities
- ◆ In-house product design
- ◆ Committed to providing value
- ◆ UK production department
- ◆ NICEIC accredited in-house aftercare
- ◆ UK stock holding of £7 million plus
- ◆ FORS Gold Accredited fleet
- ◆ Credit Accounts

Adding Value to your Project

FROM SOURCE TO SITE explained...

Our unique manufacturing and procurement strategy allows us to provide enhanced product quality whilst reducing costs. Our direct route to market provides our clients with further savings, whilst our UK stock holding ensures product lead-times are negated.

In addition, we offer a complimentary* design service.

We call this competitive edge

“FROM SOURCE TO SITE”

*An FOC service utilising our lighting design team to all Account holders with qualifying projects.

IN BUSINESS FOR 19 YEARS

80+ OPERATIVES AT YOUR SERVICE

OVER £7 MILLION UK STOCK HOLDING

IN-HOUSE TECHNICAL DEPARTMENT

WORKING DIRECT TO REDUCE COSTS

IN-HOUSE EMERGENCY CONVERSIONS

IN-HOUSE LIGHTING DESIGN DEPARTMENT

FORS GOLD ACCREDITED TRANSPORT DEPARTMENT

60 DAYS END OF MONTH CREDIT

IN-HOUSE NICEIC COMPETENT AFTERCARE DEPARTMENT

IN-HOUSE PRODUCT RESEARCH + DESIGN DEPARTMENT

VALUE ENGINEERING WHILST ENHANCING YOUR SPECIFICATION

IN-HOUSE PRODUCT TESTING TO LM79

YOUR COMPLETE LIGHTING SOLUTION PROVIDER IN EVERY WAY

Market Sector and Credibility

Orlight is primed to deliver on a substantial scale to new residential developments. At the request of our client base, having traditionally supplied apartment lighting, Orlight has expanded into shell & core and exterior lighting to ensure value is realised throughout an entire project. Orlight has become a turnkey lighting supplier with a proven reputation built over 18 years. During this period Orlight has developed long-standing relationships with major developers and construction firms alike.

Further to residential developments, Orlight has been approached by major hotel groups such as Hilton, Marriot, and Park Plaza, with these live projects extending as far afield as Russia and China.

With such an impressive clientele, Orlight has now developed a small but rapidly expanding commercial product range. Orlight has been able to adapt our high specification LED technology to products that are not only viable for commercial purposes but are aesthetically attractive. Due to Orlight's architectural lighting background and discerning client base, important residential performance values such as colour render and MacAdams ellipse binning have not been overlooked. This ensures the utmost quality of light as well as consistency. Great care has been taken to ensure Orlight's commercial products are considered first class offerings.

Value Proposition and Deliverability

To invoke a streamlined process, Orlight is happy to offer M&E Contractors, Electrical Installers and Construction Companies a direct credit account, making products a direct from source to site offering. Due to its expansion, Orlight now have credit account facilities available for North America as well as the Middle East. Orlight is eager to help with cost control and reductions by implementing in-house services and is therefore happy to eliminate 3rd parties from its supply/manufacture; Orlight is equally happy for its clients to do the same. Substantial stocks in excess of £7M are held for dispatch within the UK and ready for delivery.

This ease of access means that Orlight does not keep its clients waiting. Orlight is also one of a select few companies within the construction sector to be awarded FORS Gold Accreditation - the pinnacle of endorsements in regards to the quality of its operation, which oversees a growing fleet of 24 vehicles. The FORS scheme reassures clients that Orlight is a high performing, forward thinking operator, constantly striving to become a safer, greener, and more efficient Source to Site service provider. Orlight's reliability and control over its products is what sets it apart and puts the company in such high demand.



South Bank Tower

Complete lighting Turnkey to all areas.



Altitude Tower

Complete lighting Turnkey to all areas.

About Us

Investing for the Future

With our clientele growing, so too is the business. Orlight is constantly investing in the backbone of its organisation by actively seeking a diverse talent pool, ready to tackle all the challenges of an expanding business. It's exciting to see the faces of Orlight multiply, and witness their already established skills in action within the company. A linear employment structure allows Orlight to build itself like a skyscraper and, always seeking to strengthen its foundation. A strong example of this is seen in Orlight's FORS Gold Accreditation. Orlight's adopted FORS training and tools to improve our logistical policies and procedures.

The performance management toolkit has helped the company set targets in order to reduce its carbon footprint while improving its MPG.

Orlight are invested in its employees, who in turn remain invested in its clients. Increased office and warehouse space, and an ever evolving product list, means that Orlight can continue providing an enthusiastic and energetic work environment.

The Complete Project from Concept to Delivery

As a veteran within its industry and over 200 turnkey projects completed, Orlight has rooted its unique source to site business model in value, product quality, and efficiency. 100% command of its supply chain enables Orlight to respond rapidly to a multitude of client requests and the company is proud to have worked on some of the most ambitious and high-end projects across London and beyond. This has included luxury apartments, forward thinking commercial developments, gyms and spas, and all manner of exterior and interior locations.

Any potentially mundane developments, such as sub-level car parks or stair cores, are immediately uplifted by its tailor made products. An ability to adapt and evolve is what makes Orlight so sought after and its grown immensely due to the unwavering control over the entire manufacturing process.

A variety of in-house departments provide the complete turnkey lighting solution from design through to supply. Orlight works with its clients' initial lighting designs to manufacture bespoke products and continue to provide technical assistance and aftercare support once the project is complete.



Saffron Tower

Complete lighting Turnkey to all areas.



Lexicon

Complete lighting Turnkey to all areas.

Bespoke Manufacturing

Get exactly what you are looking for...

We can manufacture bespoke solutions specific to your project, utilising our extensive manufacturing capability to provide the ultimate value engineered solution.

▼ Eagle House

The Eagle features a great example of Orlight's project-specific bespoke manufacturing capabilities. As well as supplying the general internal and external lighting for this elegant landmark, we created and supplied OVO; a 2.5 Meter wide, IP68 rated ceiling fixture for the Spa area. The floor area was also illuminated by ORL2736, which had been finished in black for this project. For the lobby area we had to engineer the unique MAYA luminaire to the client's specification.

Park House ▶

Park House, located in the heart of London's Oxford Street, consists of high-end retail units, luxury residential apartments and some of the most modern office spaces in the World. Orlight is proud to have manufactured and supplied over 3500 bespoke LED Luminaires in DALI protocol within 9 weeks of receipt of order.



Page 182

Bespoke SASI Air Handling Luminaire
Matt White finished Aluminium surround with
PMMA diffuser.

Page 438



OVO is an elegant ceiling fixture.
The rings are covered either in silk or in pre-laminated cotton.
The warm toned fabric shades create a soothing and inviting atmosphere.

The Orlight Difference

Orlight is driven to work alongside its clients, adding value through a complete FROM SOURCE TO SITE service. We can assist with initial planning and design.

We can manufacture bespoke items to suit specific requirements.

High output linear LED fixture with integral driver. Light source creates a diffused lighting effect eradicating LED trail. Can be surface mounted, suspended or recessed.



Page 192

▼ Goodman's Field Gym

Bespoke Linear Solutions



Orlight Operations

Orlight has 40,000 square feet of warehousing and distribution in addition to its existing centrally located London showroom. Orlight's headquarters is based in Hertfordshire, with easy access to sites all around London.

The new facility incorporates a state of the art Light Lab equipped with the latest testing machinery, as well as updated in-house engineering and production facilities. Further investment in its production and logistical capabilities gives Orlight 100 percent control over its operations to effectively deliver from Source To Site.



Over **£7M** UK Stock Holding



In-House Logistics

Orlight's central distribution point is a hub of activity within the company. A large stock holding, filled with various product configurations, leave our logistics team primed to deliver. Investment in our personnel, warehouse, fleet, vehicle tracking and management systems, and ever improving policies and procedures, have turned Orlight into the smooth running operator that it is today.

Orlight has expanded its logistic capabilities with the acquisition of its first 7.5T Isuzu curtain sided lorry. Our new lorry is a welcome addition to the Orlight fleet of 24 vehicles and hopefully the first of many more to come. This underlines our commitment to our Clients as a complete FROM SOURCE TO SITE lighting solution provider. We take pride in keeping everything in-house thus providing a more efficient and precise service, with same day deliveries being a big hit with many contractors. We can now deliver by the box, pallet, lockable cage or even container.

We aim to exceed our Client's expectations in every what

FORS Gold Accreditation

Orlight is proud to announce that it is now one of a select few companies within the construction sector to be awarded FORS Gold Accreditation - the pinnacle of endorsements in regards to the quality of Orlight's operation that oversees a growing fleet of 24 vehicles. The FORS scheme reassures clients that Orlight is a high performing, forward thinking operator, which is constantly striving to become a safer, greener, and more efficient Source to Site service provider.

The rigorous requirements to accomplish this accreditation include professionally trained drivers and logistical management to an exceptional standard, backed up with documentation to ensure complete accountability.

FORS has provided both the training and tools that have improved Orlight's policies and procedures. The performance management toolkit has helped the company set targets in order to reduce its carbon footprint while improving its MPG.

Gaining FORS Gold Accreditation shows how dedicated Orlight is as a company to raising road safety and delivery standards. The company will continue working at FORS' highest standard to help make the roads safer for everyone who uses them, while continuing to provide an elite, informative service from its distribution facilities.



In-house Testing – Quality Assurance



Our investment in the latest advanced photometric equipment enables us to test our products on a batch by batch basis.

With each lamp order, on request, we can supply a complete test report which gives you details such as colour temperature, CRI, Flux, Efficacy, and power consumption.

Our latest generation goniophotometer provides detailed information on both photometric and electrical parameters as well as creating LDT files, we use this technology to generate even more detailed and in depth datasheets for our entire lighting portfolio.

This latest addition to our in house testing facility reduces the normally painful and drawn out process of creating LDT files, which can take up to 3 hours. We can now produce an accurate LDT file within 60 seconds, making the information more accessible within a shorter timeframe.

Quality, Longevity Testing & Guarantees

Orlight ensures that the highest **AQL standards** are met across the product range. Believing in being transparent with its Clients, **LED chip quality and provenance** are broadcasted and not concealed, enabling Orlight to demonstrate the quality of its packages. Longevity tests are conducted to **international LM80 standards**, coupled with further in-house testing which ensures stable thermal management properties. Guarantees may be provided on a specific job basis with associated on site warranties in certain cases. Importantly, Orlight does not award extended guarantees but boasts a workable and

appropriate solution for each project. Orlight is a long-standing and established entity that can uphold guarantees.

Orlight's current LED panel range has the following accreditations / test reports:

- » Spectroradiometer report
- » 3rd Party Certification to IEC & EN standards
- » Goniophotometer reports for light distribution
- » Driver Standards to EN / EC / EMC / UL / RS

The Test Report Explained...

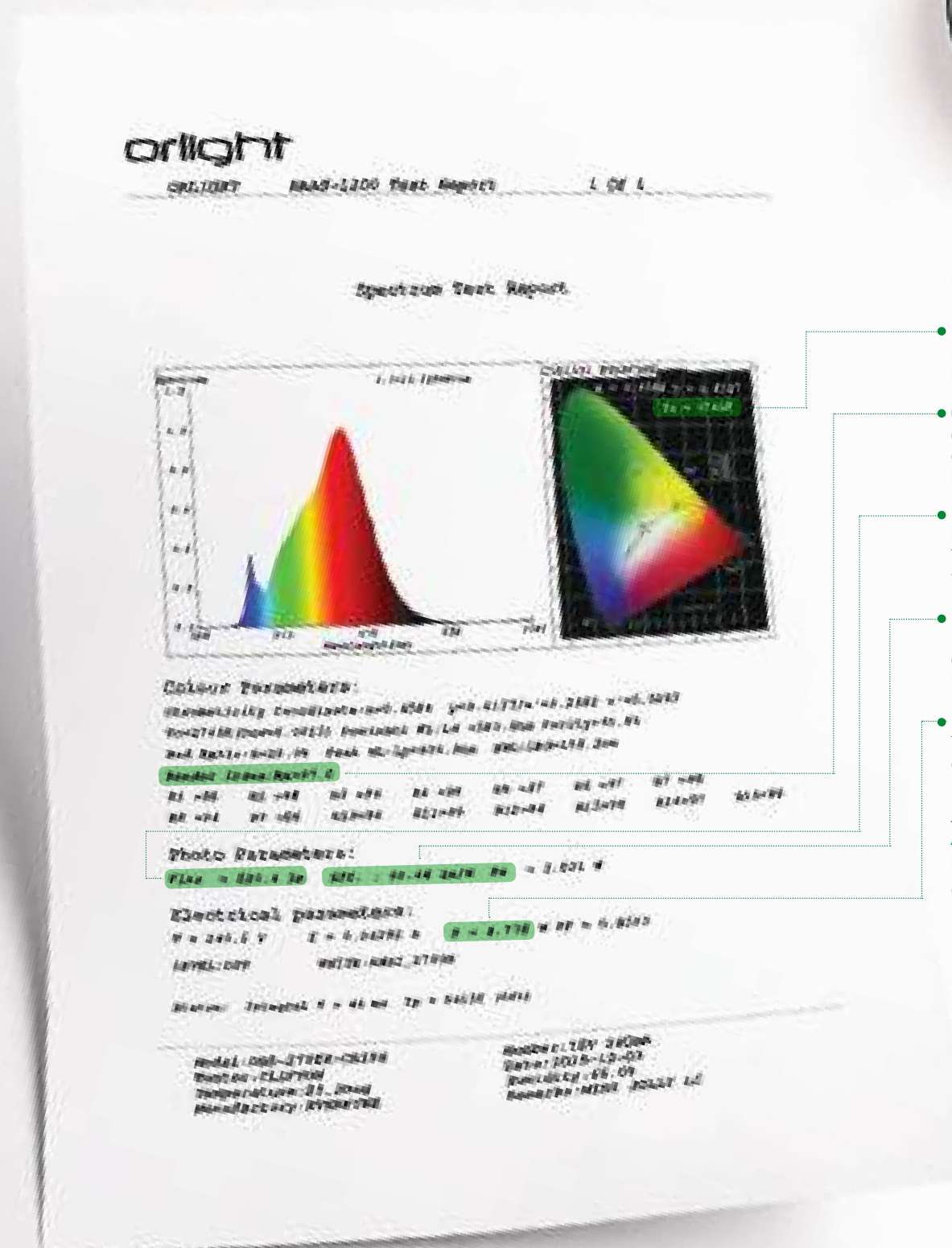


Five critical features to look out for on every test report.

- **Kelvin** - The exact colour temperature measured in Kelvin will show you the colour of light produced.
- **CRI** - A high Colour Rendering Index is desirable since this means less colour distortion. Values in excess of 80 will achieve best results.
- **Flux** - This is the product's total light output measured in Lumens. This figure is important to gauge total light produced.
- **Efficacy** - Flux figure (light output) measured in Lumens divided by power consumption. Certain efficacy criteria is required for Part L. This is a measurement of how efficient a product is.
- **P** - Power consumed. This parameter is the measurement of a product's power consumption.

Important Note:

A test report missing Flux, Efficacy or Power consumed can not prove the product's performance or its efficiency.



Typical sample report supplied by Orlight.



Orlight Showroom - Chelsea

Showroom

Our Central London Showroom showcases the best of lighting and lighting control in the market. The Lighting Design studio is the place to meet and work with our designers in order to experience Orlight's range of products. By appointment only.



LARGE PROJECT EXPERIENCE

FROM INITIAL CONCEPT TO FINAL APPLICATION

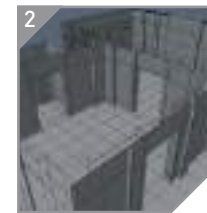
TECHNICAL ASSISTANCE

18+ YEARS OF LIGHTING KNOWLEDGE

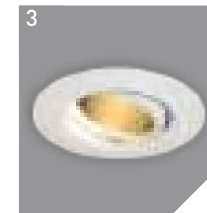
The Lighting Design Process



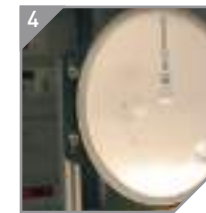
CLIENT BRIEFING



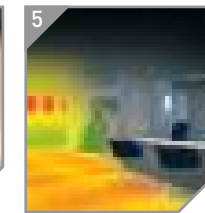
3D MODELLING FROM PLANS



PRODUCT SELECTION



PRODUCT TESTING TO CORROBORATE CALCULATIONS



LIGHTING CALCULATIONS



3D LIGHTING RENDERS



COMPREHENSIVE LIGHTING REPORT

orlight
FROM SOURCE TO SITE

Orlight Design Studio and Showroom

The Plaza,
535 Kings Road
Chelsea
London
SW10 0SZ
020 7352 1799



Lighting Design

Orlight's design team come together from various professional disciplines - from Architecture, Interior Design and Graphic Design, through to Civil Engineering. Backed by its outstanding technical department, Orlight can provide designs that are both conceptually innovative and aesthetically pleasing, all whilst meeting client requirements and building regulations - (should they apply).

Orlight's design department works tirelessly from its Chelsea Design Studio to create solutions for private residential blocks and commercial buildings.

As a company policy, all lighting designs (whether they are calculations or full lighting schemes) uphold CIBSE recommendations. Creating the right atmosphere the teams top priority and to select only the most suited fittings. Our reputation within the market does not allow standards to slip across any of their processes and a discerning client base means that Orlight has to operate with the upmost care and expertise. Orlight's design team take light seriously and always strives to provide the best solution available.



Light Middle East

After much anticipation, Orlight is thrilled to shed light on its mission in Dubai. The company's significant presence at the Light Middle East showcase acted as a precursor to establishing a direct base of operations in the UAE, where the value of the business is set for robust growth. As a global hub, Dubai sits at the forefront of unprecedented large scale construction and luxury advancements. Orlight is eager to apply its forward thinking business model across the Middle East's vibrant market.

A strong foundation was laid at the showcase, paving the way for Orlight to exceed expectations in regards to its cross-continental endeavours. Just one day into the exhibition saw Orlight receive major interest in its Lumenflex-XL lines.

In the following two days, Orlight left an impact on everyone present by simply allowing innovative products, personable staff, and an all-encompassing business model, speak for themselves. One of the region's paramount missions has been finding low energy solutions; not only can Orlight offer this, but will continue to build upon a pre-existing international reputation for unparalleled customer service, tailored Turnkey solutions, and added value through complete control of its supply. Orlight has fully embraced the challenges that come with such a rapid overseas expansion and with such a strong start, and is confident in not only meeting, but exceeding all aspirations.

Orlight in the Saudi Gazette



Situl Jetha, Design Director of Orlight explained:
"We offer a complimentary lighting design service to large developments and are able to assist the client and contractors where ever possible. We don't deal with third parties so are able to provide the end client with a huge cost saving and products of a high quality standard."

◀ Orlight meets with Saeed Mohammed Al Tayer MD and CEO of Dubai Electricity and Water Authority (DEWA)

Engineering Services

Orlight's Engineering department is an expanding part of the company that brings even more of the production in-house. Orlight's engineers work tirelessly to meet an increased demand for bespoke fixtures, product assembly, finishing, total Plug & Play solutions and emergency conversions.

New UK based testing facilities ensure correct product interfacing and compatibility with relevant controls.

This in-house endeavour continues to advance Orlight's standing as a quality assured operator in complete control of its offering, able to realise our client's unique requests with a swift turnaround and expert manner.

Due to the demand for a wider range of services, Orlight has invested and expanded its technical and engineering divisions to meet our clients needs.

Orlight's experienced engineers work tirelessly to ensure efficient product assembly, manufacture of bespoke products, total Plug and Play solutions and emergency conversions.

Orlight's established engineering department come from a diverse technical pool, creating an all-encompassing foundation of expertise. This employee proficiency, coupled with new UK based testing facilities, enables an even faster turnaround, as well as correct product interfacing and compatibility with all the relevant controls. Backed up by a highly qualified and experienced Aftercare Department further assures quality and support across any project.



Aftercare

WHAT IF SOMETHING GOES WRONG?

► WE ARE HERE TO HELP



With such a diverse product range and a plethora of large scale projects and bespoke turnkey schemes, it became essential for Orlight to develop an efficient Aftercare Department. Orlight doesn't just manufacture and supply, it also provides a broad range of supporting services to ensure its customers receive the best possible solution. In the event of a product fault during its Defects Period, Orlight will attend site and rectify the fault. It will then provide all the necessary documents including risk assessments, method statements and a closing report once the job is complete. Orlight is built on reputation, so its employees remain invested in their projects until the very end.

Terms & Conditions:

OUR LIABILITIES:

Orlight's Aftercare Department is fully NICEIC competent. Our operatives possess CSCS cards and are SSSTS trained at minimum. In the event of a product fault during an agreed defects period, we will attend site and rectify the fault.

You will receive all the necessary documents including risk assessments, method statements and a closing report once the job is complete.

YOUR LIABILITIES:

Whilst we undertake to replace any faulty product, we are unable to carry out any decoration, removal of furniture, removal and reinstatement of wall panels or paving slabs. As such our liability will be limited to product replacement and electrical connections. We will be unable to proceed with any product replacement and installation should the original installation not be in accordance with BS7671. All drivers and accessories must be installed in a serviceable environment with access.

WHAT IS CHARGEABLE:

In the event of a faulty installation, we will provide a report detailing installation issues together with a quote for rectification. Please ensure all drivers and connections are in an accessible location as per BS7671.



THE MAGAZINE RESTAURANT

Linear lighting throughout landmark restaurant set within London's Hyde Park.



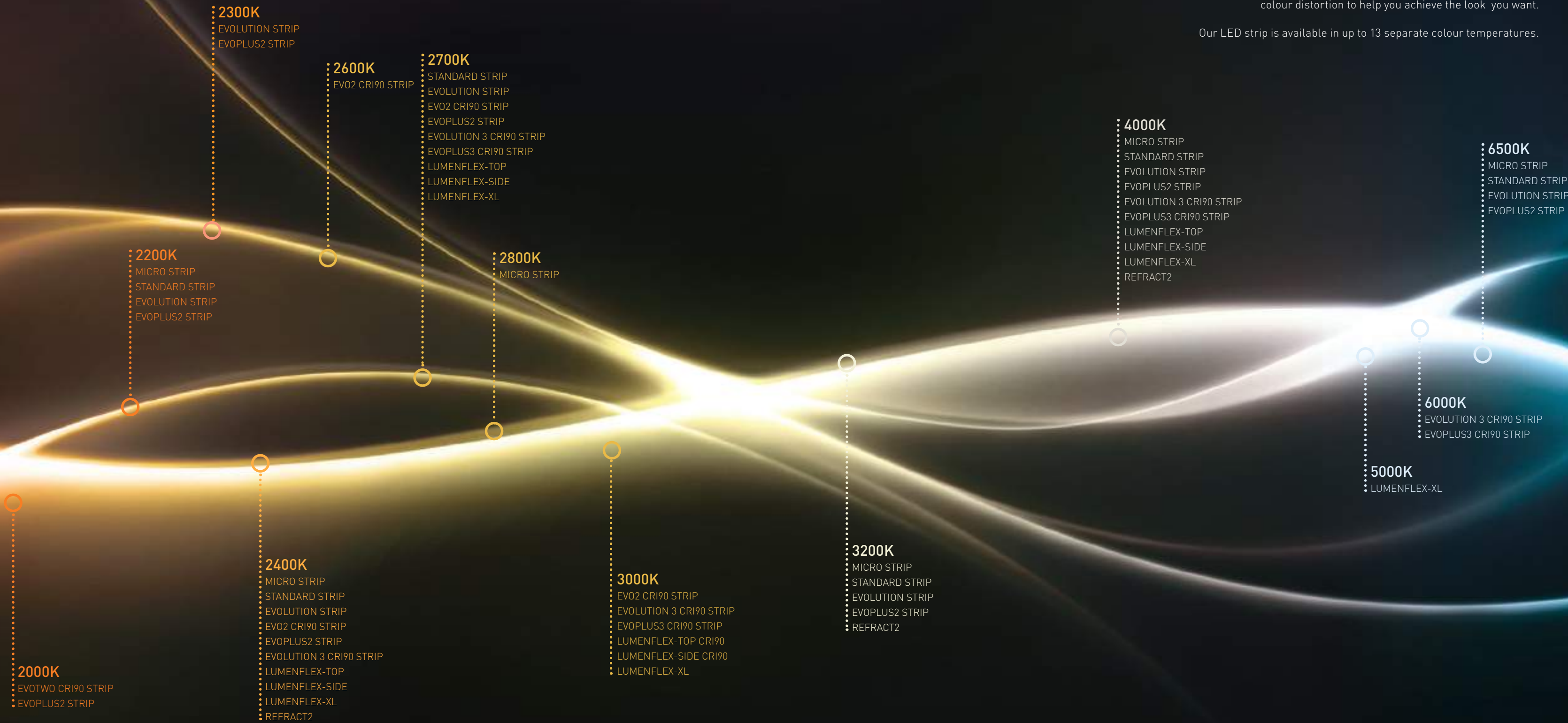
COLOUR

What's your temperature?

Giving you Options...

By selecting the highest quality batches of LED chips, we can manufacture rich warm colours, high CRI (Colour Render Index) and bright cool light with minimal colour distortion to help you achieve the look you want.

Our LED strip is available in up to 13 separate colour temperatures.



LED STRIP EXPLAINED

Better built strips for superior performance.

Each product has undergone a technical enhancement and has been combined with the Orlight high CRI dedicated colour chipsets. Offering up to 8 colour temperatures between the Warm and Cool White range, extensive binning and chip selection means unparalleled colour choice and consistency.

Supplied in bespoke lengths with plug & play connections and superior foam based 3M adhesive lining, means installation couldn't be easier.

Integral 2oz copper heatsink
Increased board thickness enables optimal heat dissipation

IP65
Rated options

The Orlight difference
for superior quality and performance

Superior purity epoxy
Enhanced formulation that will not degrade with time and provides better optical properties

High CRI chipset
Available in up to 8 colours

Higher strength adhesive liner
Upgraded 3M foam based backing



Our complete range of Technically Enhanced Strips



ROMAN HOUSE
Complete lighting Turnkey solution.
Private Apartments, Landlord Areas, Special Rooms and Landscaped Exteriors.

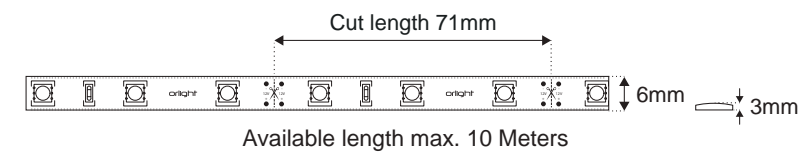
TECHNICALLY ENHANCED 6MM STRIP



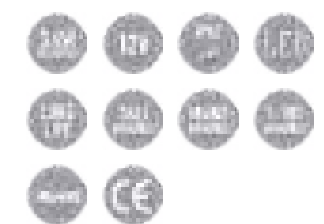
ORLMS6012 - Micro LED Strip

Strip redefined. Microstrip by Orlight incorporates our smallest Linear LED product footprint so far. With only 6mm width, the Microstrip is more versatile and perfect for the smallest of niches. Specific sub-bin selection to ensure colour consistency and purity. The product also features Orlight board with IP65 high purity epoxy resin for enhanced optical properties. 3M latest generation foam based self adhesive backing ensures ease of secure installation. The product is also supplied in bespoke lengths with plug and play connection to requirement.

DIMENSIONS:



STANDARDS:



PRODUCT CODING

PRODUCT CODE	COLOUR TEMPERATURE	WATTAGE	LUMENS (PER METER)	DIMMABLE OPTIONS
ORLMS6012	2200K / 2400K / 2800K / 3200K / 4000K / 6500K	3.4W (PER METER)	155LM / 165LM / 180LM / 200LM / 220LM / 230LM	D / 1-10V / DALI

INCLUDED DRIVER (IP65, NON - DIMMABLE)

*Dimmable Orlight drivers available request: 0-10V Protocol / Leading / Trailing Edge / DALI

WATTAGE	STRIP LENGTH	DRIVER CODE	DRIVER SIZE
18W	1 - 5 Meters	ORLRPV1218	140MM X 30MM X 22MM
35W	6 - 10 Meters	ORLRPV1235	148MM X 40MM X 30MM



TECHNICALLY ENHANCED STANDARD

TECHNICALLY ENHANCED EVOLUTION



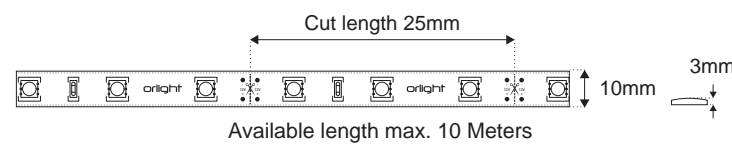
ORLTE6012 - Technically Enhanced Standard Strip

This superior performance adhesive LED strip combines the highest quality components creating a formidable lighting solution. Each property has undergone a technical enhancement and has been combined with the Orlight high CRI dedicated colour chipsets. Offering extensive binning and chip selection means unparalleled colour choice and consistency. The product features a heavier Orlight 2oz copper board allowing for greater heat dissipation and longevity. The unit also incorporates a higher purity epoxy IP65 coating with enhanced optical properties. Supplied in bespoke lengths with plug and play connections and superior pressure-foam based lining means installation couldn't be easier.

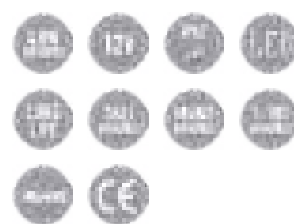
ORLTE6012EVO - Technically Enhanced Evolution Strip

This superior performance adhesive LED strip combines the highest quality components creating a formidable lighting solution. Each property has undergone a technical enhancement and has been combined with the Orlight Evolution high CRI dedicated colour chipsets. Offering extensive binning and chip selection means unparalleled colour choice and consistency. The product features a heavier Orlight 2oz copper board allowing for greater heat dissipation and longevity. The unit also incorporates a higher purity epoxy IP65 coating with enhanced optical properties. Supplied in bespoke lengths with plug and play connections and superior pressure-foam based lining means installation couldn't be easier.

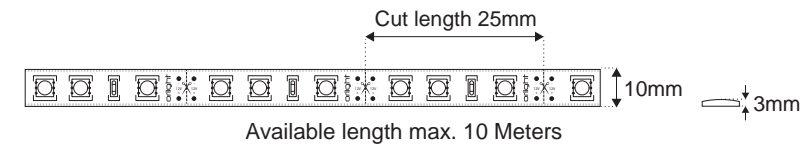
DIMENSIONS:



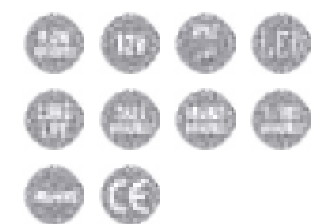
STANDARDS:



DIMENSIONS:



STANDARDS:



PRODUCT CODING

PRODUCT CODE	COLOUR TEMPERATURE	WATTAGE	LUMENS (PER METER)	DIMMABLE OPTIONS
ORLTE6012	2200K / 2400K / 2700K / 3200K / 4000K / 6500K	4.8W (PER METER)	290LM / 320LM / 340LM / 335LM / 370LM / 375LM	D / 1-10V / DALI

INCLUDED DRIVER (IP65, NON - DIMMABLE)

*Dimmable Orlight drivers available request: 0-10V Protocol / Leading / Trailing Edge / DALI

WATTAGE	STRIP LENGTH	DRIVER CODE	DRIVER SIZE
18W	1-3 Meters	ORLRPV1218	140MM X 30MM X 22MM
35W	3 - 7 Meters	ORLRPV1235	145MM X 40MM X 30MM
60W	7 - 10 Meters	ORLRPV1260	162MM X 52MM X 37MM

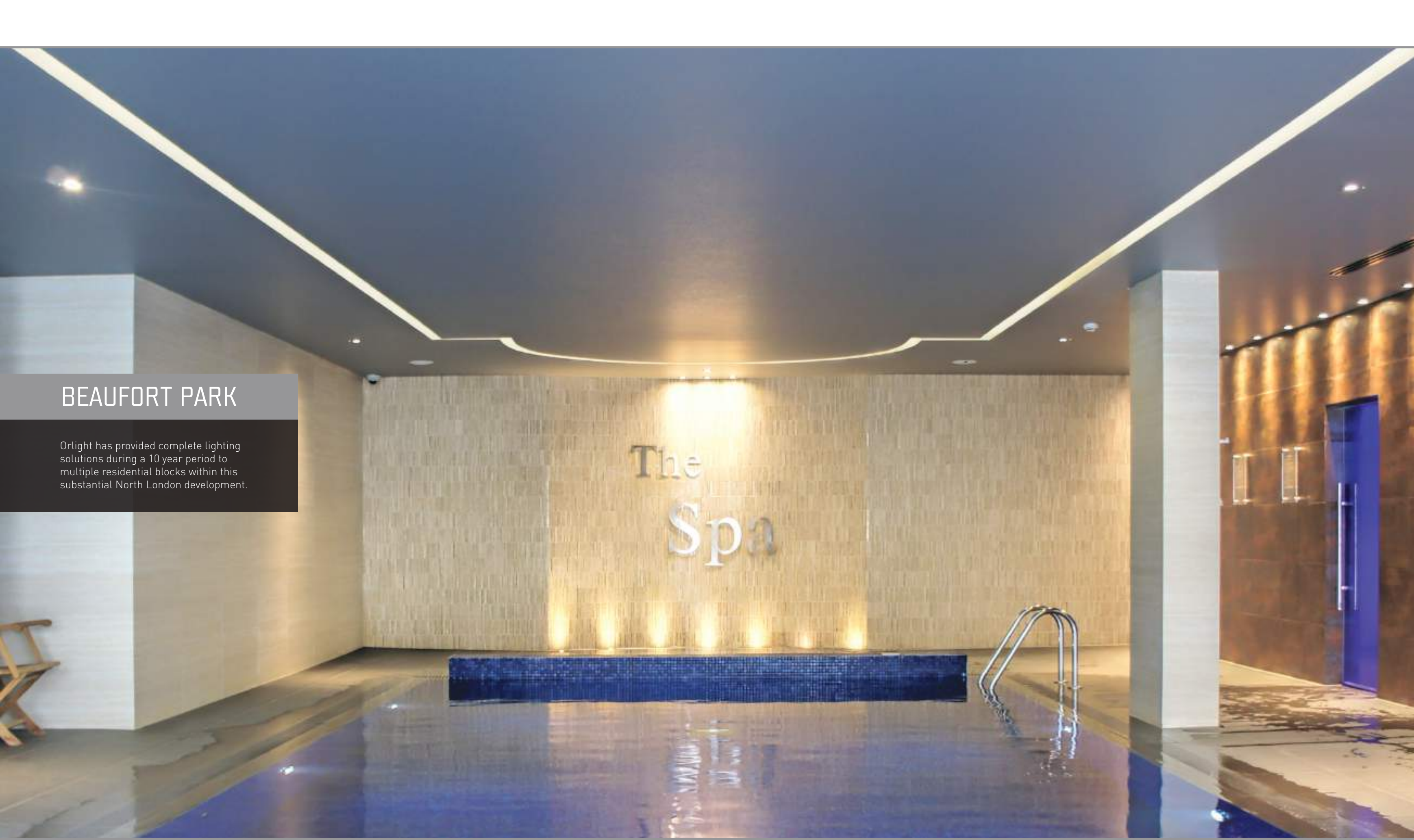
PRODUCT CODING

PRODUCT CODE	COLOUR TEMPERATURE	WATTAGE	LUMENS (PER METER)	DIMMABLE OPTIONS
ORLTE6012EVO	2200K / 2300K / 2400K / 2700K / 3200K / 4000K / 6500K	9.6W (PER METER)	650LM / 660LM / 690LM / 725LM / 740LM / 750LM / 755LM	D / 1-10V / DALI

INCLUDED DRIVER (IP65, NON - DIMMABLE)

*Dimmable Orlight drivers available request: 0-10V Protocol / Leading / Trailing Edge / DALI

WATTAGE	STRIP LENGTH	DRIVER CODE	DRIVER SIZE
18W	1 Meter	ORLRPV1218	140MM X 30MM X 22MM
35W	1 - 3 Meters	ORLRPV1235	145MM X 40MM X 30MM
60W	3 - 6 Meters	ORLRPV1260	162MM X 42MM X 30MM
100W	6 - 10 Meters	ORLRPV12100	190MM X 52MM X 37MM



BEAUFORT PARK

Orlight has provided complete lighting solutions during a 10 year period to multiple residential blocks within this substantial North London development.

LED STRIP

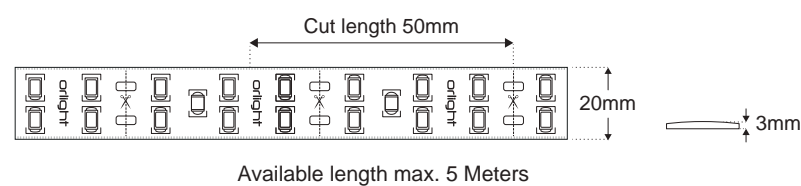
TECHNICALLY ENHANCED EVOLUTION PLUS TWO



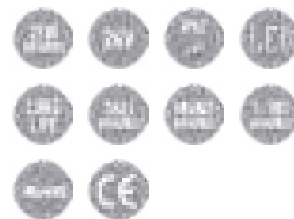
ORLTE6024EVOPL2 - Technically Enhanced Evolution Plus 2

This superior performance adhesive LED strip combines the highest quality components creating a formidable lighting solution with incredible light output. Each property has undergone a technical enhancement and has been combined with the Orlight Evolution Plus Two high CRI dedicated colour chipsets. Offering extensive binning and chip selection means unparalleled colour choice and consistency. The product features a heavier Orlight 2oz copper board allowing for greater heat dissipation and longevity. The unit also available with a higher purity IP65 epoxy coating with enhanced optical properties. Supplied in bespoke lengths with plug and play connections and superior pressure-foam based lining means installation could not be easier.

DIMENSIONS:



STANDARDS:



PRODUCT CODING

PRODUCT CODE	COLOUR TEMPERATURE	WATTAGE	LUMENS (PER METER)	DIMMABLE OPTIONS
ORLTE6024EVOPL2	2000K / 2200K / 2300K / 2400K / 2700K / 3200K / 4000K / 6500K	21W (PER METER)	1900LM / 2000LM / 2050LM / 2100LM / 2250LM / 2350LM / 2400LM / 2650LM	D / 1-10V / DALI
ORLTE6024EVOPL2 - IP65	2000K / 2200K / 2300K / 2400K / 2700K / 3200K / 4000K / 6500K	21W (PER METER)	1900LM / 2000LM / 2050LM / 2100LM / 2250LM / 2350LM / 2400LM / 2650LM	D / 1-10V / DALI

INCLUDED DRIVER (IP65, NON - DIMMABLE)

*Dimmable Orlight drivers available request: 0-10V Protocol / Leading / Trailing Edge / DALI

WATTAGE	STRIP LENGTH	DRIVER CODE	DRIVER SIZE
20W	1 Meter	ORLRPV2420	118MM X 35MM X 26MM
35W	1 - 1.5 Meters	ORLRPV2435	141MM X 40MM X 30MM
60W	1.5 - 3 Meters	ORLRPV2460	162MM X 42MM X 32MM
100W	3 - 5 Meters	ORLRPV24100	190MM X 52MM X 36MM



CHRISTOPHER'S RESTAURANT
Architectural lighting to Award Winning Eatery.



RELAXATION SPA

Picture courtesy of Ezra Attia Design.



CHESTNUT HOUSE

Complete lighting Turnkey to all areas.

HIGH CRI STRIP

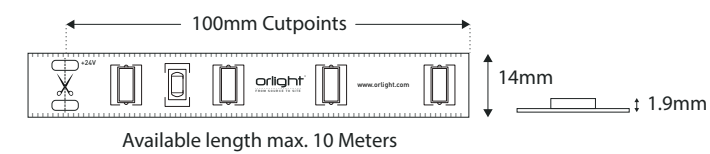
TECHNICALLY ENHANCED EVOLUTION TWO



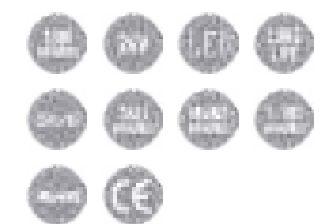
ORLTE6024EV02CRI90 - Technically Advanced Evolution Two CRI90

Self adhesive LED Strip provides an easy and simple lighting solution. Perfect for accent and task lighting this strip is available in no less than 5 High CRI colour temperatures within the extra warm to warm white range. Evolution Two LED chipset allows for enhanced CRI90 light output. The strip is supplied per meter complete with plug and play connections as well as 3M adhesive backing for simple installation. It may be cut every 10cm, allowing you to tailor the strip to your exact needs and be configured to any length. A low energy and easy method of linear lighting.

DIMENSIONS:



STANDARDS:



PRODUCT CODING

PRODUCT CODE	COLOUR TEMPERATURE	WATTAGE	LUMENS (PER METER)	DIMMABLE OPTIONS
ORLTE6024EV02CRI90	2000K / 2400K / 2600K / 2700K / 3000K	10W (PER METER)	570LM / 620LM / 690LM / 700LM / 825LM	D / 1-10V / DALI

INCLUDED DRIVER (IP65, NON - DIMMABLE)

*Dimmable Orlight drivers available request: 0-10V Protocol / Leading / Trailing Edge / DALI

WATTAGE	STRIP LENGTH	DRIVER CODE	DRIVER SIZE
20W	2 Meter	ORLRPV2420	118MM X 35MM X 26MM
35W	2 - 3 Meters	ORLRPV2435	141MM X 40MM X 30MM
60W	3.5 - 6 Meters	ORLRPV2460	162MM X 42MM X 32MM
100W	6 - 10 Meters	ORLRPV24100	190MM X 52MM X 36MM

TECHNICALLY ENHANCED EVOLUTION PLUS THREE

TECHNICALLY ENHANCED EVOLUTION PLUS THREE



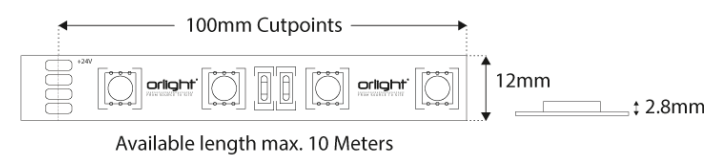
ORLTE6024EV03 - Technically Enhanced Evolution 3

Self adhesive LED strip provides an easy and simple lighting solution. Perfect for accent and task lighting, this strip is available in no less than 5 high CRI colour temperatures within the warm to cool white range. The Evolution3 strip is supplied per meter complete with plug and play connections as well as 3M adhesive backing for simple installation. It may be cut every 10cm, allowing you to tailor the strip to your exact needs and be configured to any length. A low energy and easy method of linear lighting.

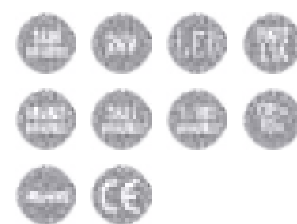
ORLTE6024EV0PL3 - Technically Advanced Evolution Plus Three

The 3rd Generation High CRI, High output self adhesive LED strip provides an easy and simple lighting solution. Perfect for accent and task lighting, this strip is supplied per meter complete with plug and play connections, as well as 3M adhesive backing for simple installation. It can be cut every 10cm, allowing you to tailor the strip to your exact needs and be configured to any length. A low energy and easy method of linear lighting.

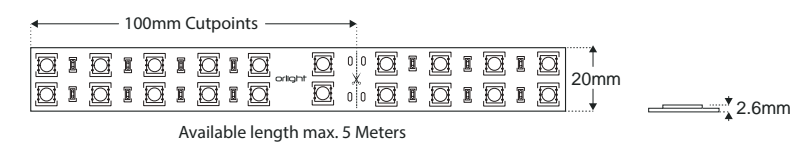
DIMENSIONS:



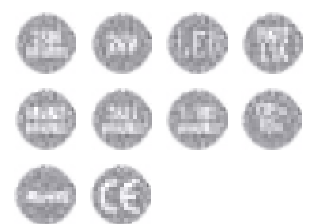
STANDARDS:



DIMENSIONS:



STANDARDS:



PRODUCT CODING

PRODUCT CODE	COLOUR TEMPERATURE	WATTAGE	LUMENS (PER METER)	DIMMABLE OPTIONS
ORLTE6024EV03	2400K / 2700K / 3000K / 4000K / 6000K	14W (PER METER)	1300LM / 1400LM / 1450LM / 1520LM / 1650LM	D / 1-10V / DALI

INCLUDED DRIVER (IP65, NON - DIMMABLE)

*Dimmable Orlight drivers available request: 0-10V Protocol / Leading / Trailing Edge / DALI

WATTAGE	STRIP LENGTH	DRIVER CODE	DRIVER SIZE
18W	1 Meter	ORLRPV2418	140MM X 30MM X 20MM
35W	1 - 2 Meters	ORLRPV2435	141MM X 40MM X 30MM
60W	2 - 4 Meters	ORLRPV2460	162MM X 42MM X 32MM
100W	4 - 7 Meters	ORLRPV24100	190MM X 52MM X 36MM
150W	7 - 10 Meters	ORLRPV24150	222MM X 68MM X 39MM

PRODUCT CODING

PRODUCT CODE	COLOUR TEMPERATURE	WATTAGE	LUMENS (PER METER)	DIMMABLE OPTIONS
ORLTE6024EV0PL3	2400K / 2700K / 3000K / 4000K / 6000K	25W (PER METER)	1417LM / 1500LM / 1700LM / 2140LM / 2200LM	D / 1-10V / DALI

INCLUDED DRIVER (IP65, NON - DIMMABLE)

*Dimmable Orlight drivers available request: 0-10V Protocol / Leading / Trailing Edge / DALI

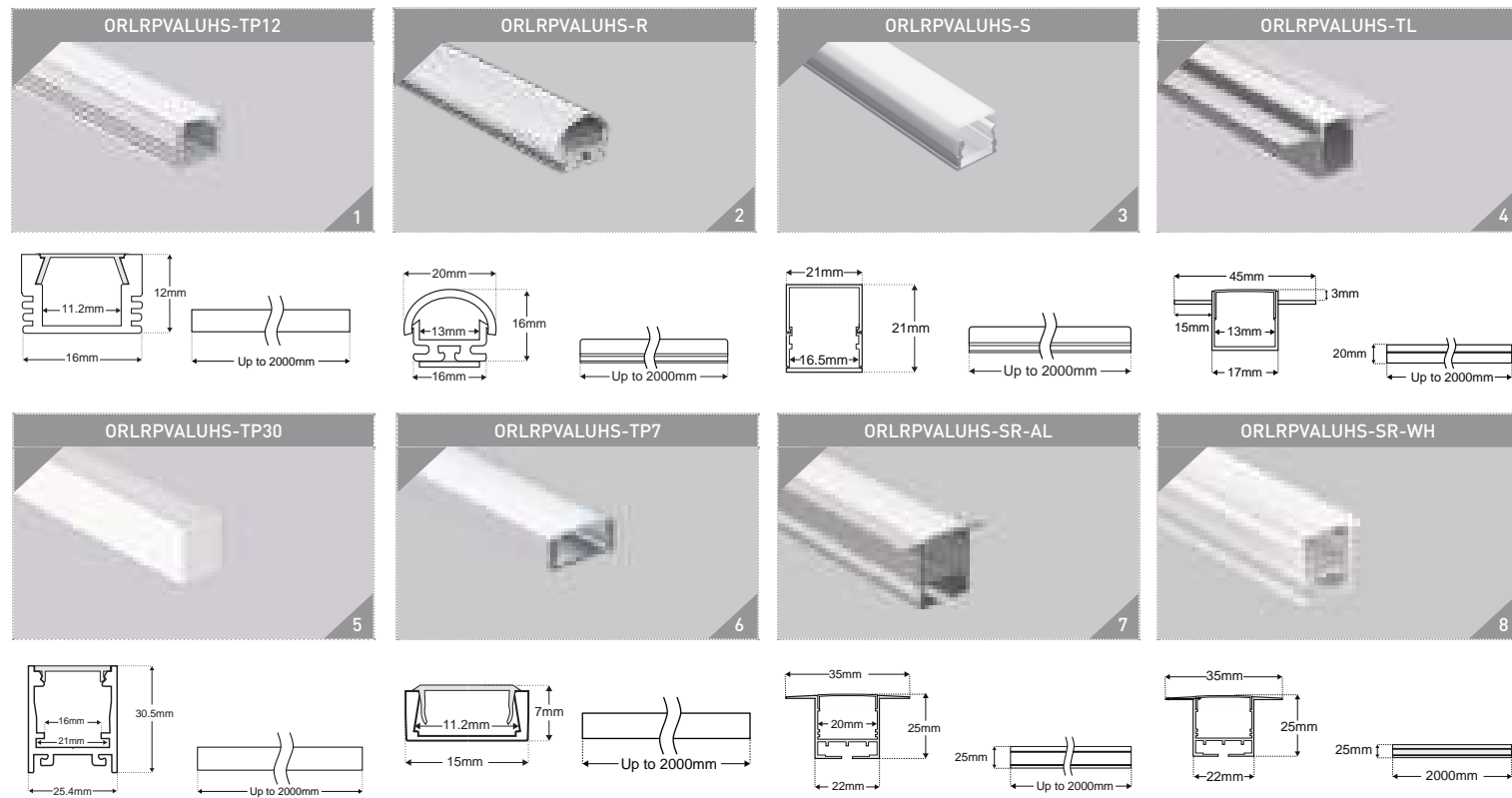
WATTAGE	STRIP LENGTH	DRIVER CODE	DRIVER SIZE
35W	1 Meter	ORLRPV2435	141MM X 40MM X 30MM
60W	1 - 2 Meters	ORLRPV2460	162MM X 42MM X 32MM
100W	2 - 4 Meters	ORLRPV24100	190MM X 52MM X 36MM
150W	4 - 5 Meters	ORLRPV24150	222MM X 68MM X 39MM



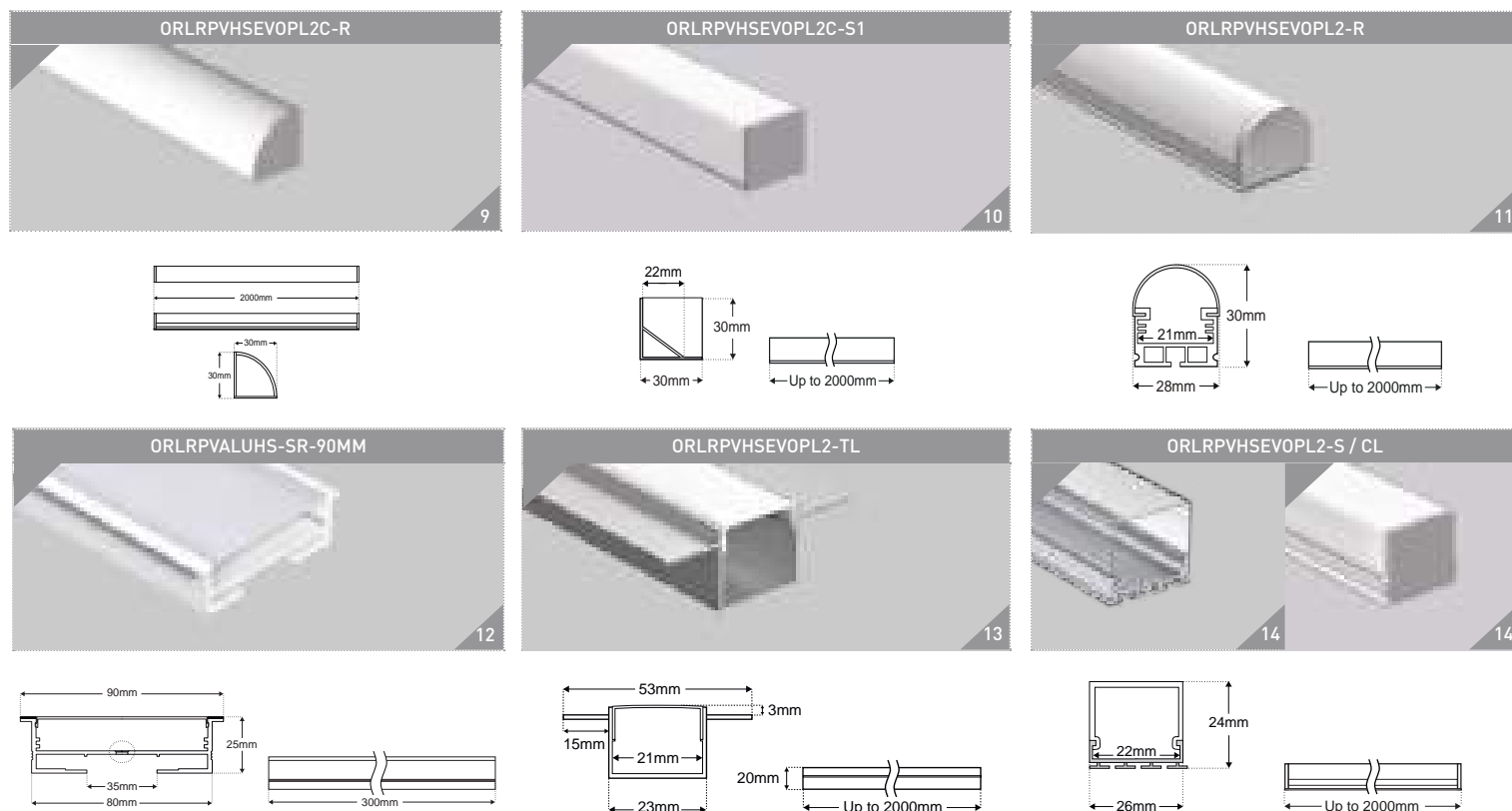
CHRISTOPHER'S RESTAURANT

Linear lighting to Award Winning Eatery.

SMALL PROFILES FOR STANDARD LED STRIPS



LARGE PROFILES FOR WIDER LED STRIPS



COMPATIBLE STRIPS:

ORLMS6012	ORLTE6012	ORLTE6012EVO	ORLTE6024EVO3
1	ORLRPVALUHS-TP12	ORLRPVALUHS-TP12	ORLRPVALUHS-TP12
2	ORLRPVALUHS-R	ORLRPVALUHS-R	ORLRPVALUHS-R
3	ORLRPVALUHS-S	ORLRPVALUHS-S	ORLRPVALUHS-S
4	ORLRPVALUHS-TL	ORLRPVALUHS-TL	ORLRPVALUHS-TL
5	ORLRPVALUHS-TP30	ORLRPVALUHS-TP30	ORLRPVALUHS-TP30
6	ORLRPVALUHS-TP7	ORLRPVALUHS-TP7	ORLRPVALUHS-TP7
7	ORLRPVALUHS-SR-AL	ORLRPVALUHS-SR-AL	ORLRPVALUHS-SR-AL
8	ORLRPVALUHS-SR-WH	ORLRPVALUHS-SR-WH	ORLRPVALUHS-SR-WH
9	ORLRPVHSEVOPL2C-R	ORLRPVHSEVOPL2C-R	ORLRPVHSEVOPL2C-R
10	ORLRPVHSEVOPL2C-S1	ORLRPVHSEVOPL2C-S1	ORLRPVHSEVOPL2C-S1
11	ORLRPVHSEVOPL2-R	ORLRPVHSEVOPL2-R	ORLRPVHSEVOPL2-R
12	ORLRPVALUHS-SR-90MM	ORLRPVALUHS-SR-90MM	ORLRPVALUHS-SR-90MM
13	ORLRPVHSEVOPL2-TL	ORLRPVHSEVOPL2-TL	ORLRPVHSEVOPL2-TL
14	ORLRPVHSEVOPL2-S / CL	ORLRPVHSEVOPL2-S / CL	ORLRPVHSEVOPL2-S / CL

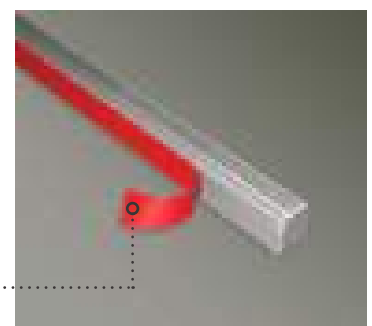
ORLTE6024EVO2CRI90	ORLTE6024EVOPL2	ORLTE6024EVO3	ORLTE6024EVOPL3
9	ORLRPVHSEVOPL2C-R	ORLRPVHSEVOPL2C-R	ORLRPVHSEVOPL2C-R
10	ORLRPVHSEVOPL2C-S1	ORLRPVHSEVOPL2C-S1	ORLRPVHSEVOPL2C-S1
11	ORLRPVHSEVOPL2-R	ORLRPVHSEVOPL2-R	ORLRPVHSEVOPL2-R
12	ORLRPVALUHS-SR-90MM	ORLRPVALUHS-SR-90MM	ORLRPVALUHS-SR-90MM
13	ORLRPVHSEVOPL2-TL	ORLRPVHSEVOPL2-TL	ORLRPVHSEVOPL2-TL
14	ORLRPVHSEVOPL2-S / CL	ORLRPVHSEVOPL2-S / CL	ORLRPVHSEVOPL2-S / CL

LED Strip Profile Application:

Designed for 12mm wide LED strips supplied in 2m or bespoke lengths upon request with end caps.

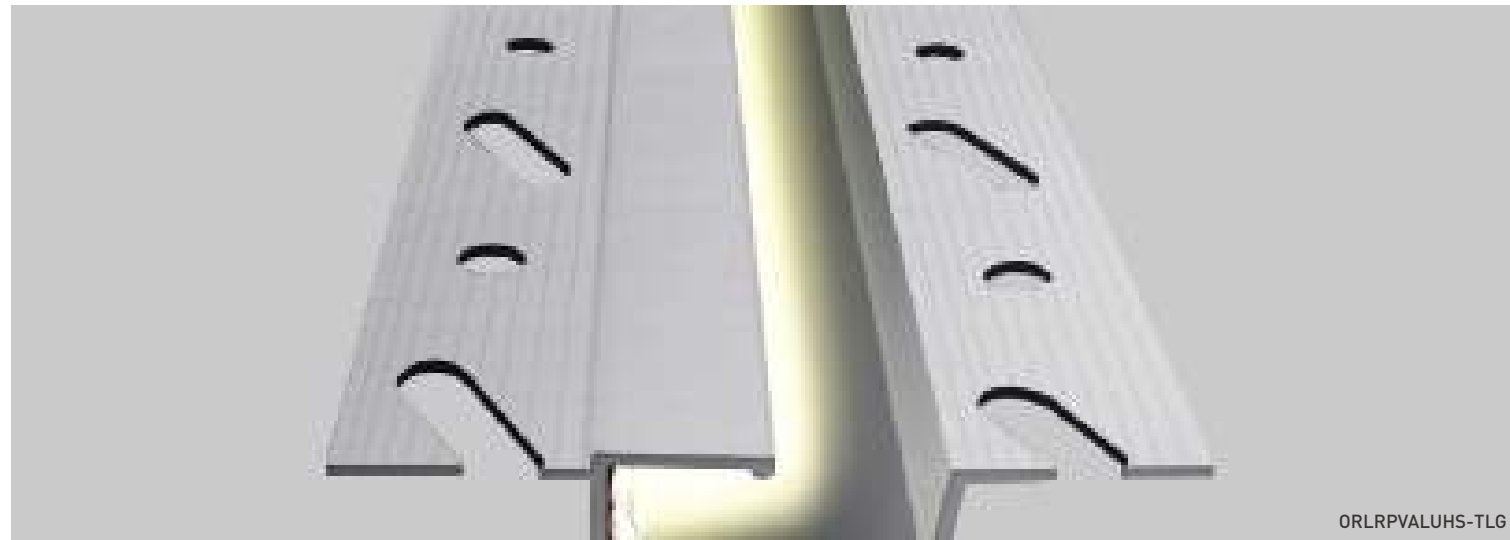
* Our range of linear profiles is supplied with a durable weatherproof backing which works on pressure and not adhesion. Supplied in 2m or bespoke lengths upon request with end caps designed to work with our entire range of LED strips.

* 3M red tape capable of withstanding 6.4KG per square centimetre



PROFILES

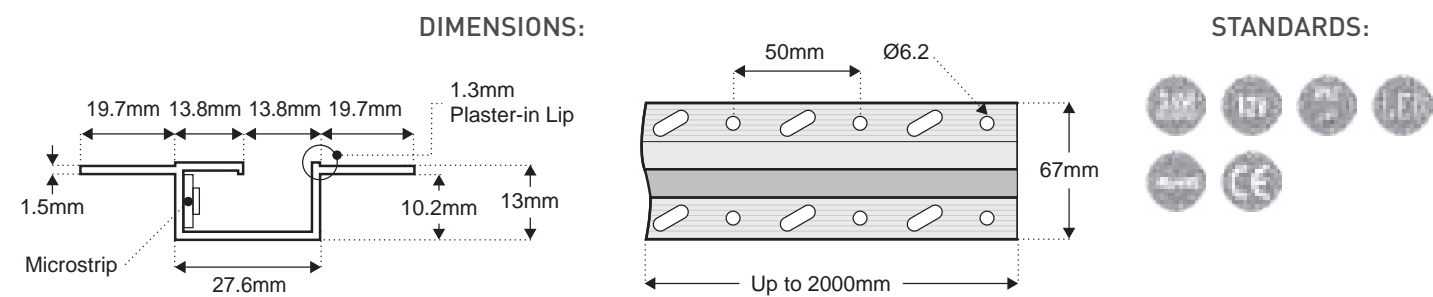
TRIMLESS GROOVE LED HOUSING



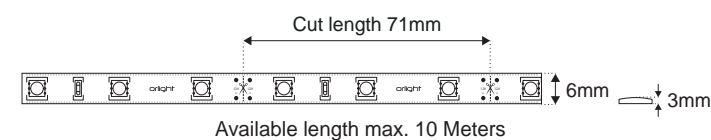
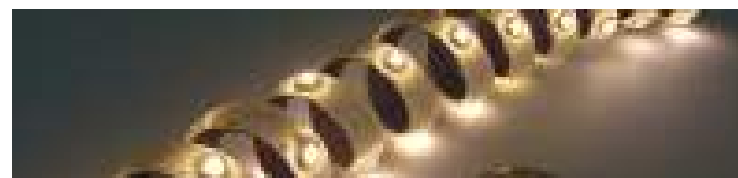
ORLRPVALUHS-TLG

ORLRPVALUHS-TLG - Trimless Groove LED Housing

Trimless profile with a recessed groove provides an unique linear solution. The profile features aluminium construction and easy to plaster texture and holes. The light source remains discreet to produce a wonderful thin blade of light. Designed to work with Orlight's LED Microstrip which is available in 2200K, 2400K, 2800K, 3200K, 4000K and 6500K.



DESIGNED FOR:



FULHAM REACH
 Complete lighting Turnkey to all areas.
 Private Apartments, Landlord Areas, Special Rooms, and Landscape Exteriors

MICRO STRIP STAIR PROFILE



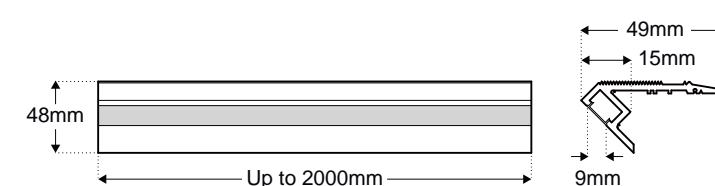
ORLRPVHMS-STAIR

ORLRPVHMS-STAIR - Micro Strip Stair Profile

The Micro Strip stair profile provides a unique linear solution. The profile features aluminium construction and a non-slip design. The light source remains discrete to produce a wonderful thin blade of light which brightens up your stairway. Designed to work with Orlight's LED Microstrip which is available in 2200K, 2400K, 2800K, 3200K, 4000K and 6500K.

The product is also supplied in bespoke lengths with plug and play connection to requirement.

DIMENSIONS:



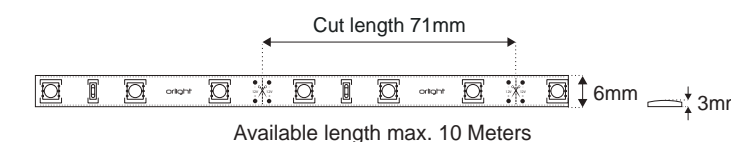
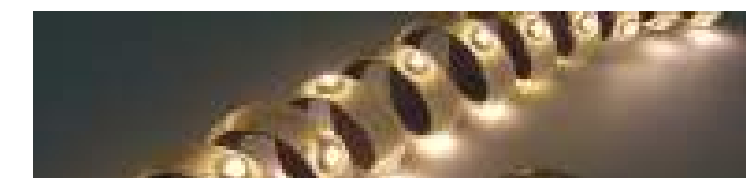
STANDARDS:



DESIGNED FOR:



ORLMS6012



LINEAR LED

DIFFUSED LINEAR LED

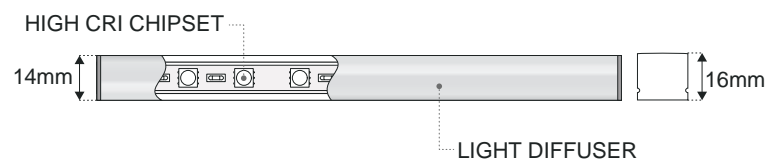


REFRACT2

REFRACT2 - Diffused Linear LED

The Second Generation Refract range, offers diffused linear lighting whilst also providing greater colour temperature options. Refract range derives its name from its initial design concept to provide a seamless and discreet linear lighting solution. The unit is available in various lengths whilst the relatively small product footprint facilitates versatility. Integrated plug and play connections with super high bond adhesive liner, allow for simple product installation. Available in colour 2400K / 3200K & 4000K variations to suit application.

DIMENSIONS:



STANDARDS:



PRODUCT CODING

CODE	WATTAGE	LENGTH	COLOUR TEMPERATURE	LUMENS
REFRACT2	3W	200MM	2400K / 3200K / 4000K	190LM / 205LM / 216LM
REFRACT2	6W	500MM	2400K / 3200K / 4000K	433LM / 472LM / 495LM
REFRACT2	12W	1000MM	2400K / 3200K / 4000K	787LM / 905LM / 990LM
REFRACT2	24W	2000MM	2400K / 3200K / 4000K	1495LM / 1586LM / 1710LM
REFRACT2	36W	3000MM	2400K / 3200K / 4000K	1900LM / 2361LM / 2361LM



lumenflex™

Continuous Linear LED provides endless opportunities for any application. IP68 rated, submersible, internal or external use, No LED trail/hotspots. All relevant accessories are provided to suit your requirements.

- Continuous and Uniform Illumination
- IK08 - Shock Resistance
- IP68 Rated - Waterproof
- Flame Resistant
- UV Resistant
- Molded End Connectors
- Warm White CRI90+ NICHIA Chipset Available



lumenflex^{TOP}

AVAILABLE COLOUR TEMPERATURES



lumenflex^{SIDE}

lumenflex^{TOP}

MOUNTING KITS:



STANDARD ALUMINIUM U PROFILE
Push down self-grip profile suitable for general use. Available in 1 metre lengths.

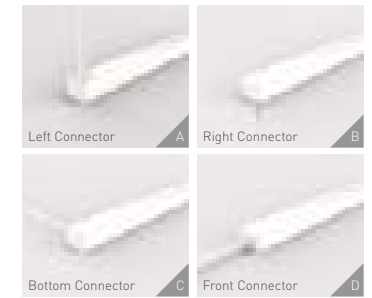
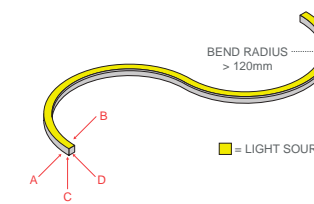


SELF-LOCKING ALUMINIUM U PROFILE
Extra secure profile with self-locking clip system. Available in 1 metre lengths.



SELF-LOCKING ALUMINIUM U CHANNEL 50MM
Extra secure 50mm mounting brackets for curved surface applications.

MOULDED END CONNECTORS:



lumenflex^{SIDE}

MOUNTING KITS:



STANDARD ALUMINIUM U PROFILE
Push down self-grip profile suitable for general use. Available in 1 metre lengths.

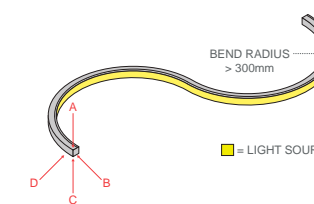


SELF-LOCKING ALUMINIUM U PROFILE
Extra secure profile with self-locking clip system. Available in 1 metre lengths.



SELF-LOCKING ALUMINIUM U CHANNEL 50MM
Extra secure 50mm mounting brackets for curved surface applications.

MOULDED END CONNECTORS:



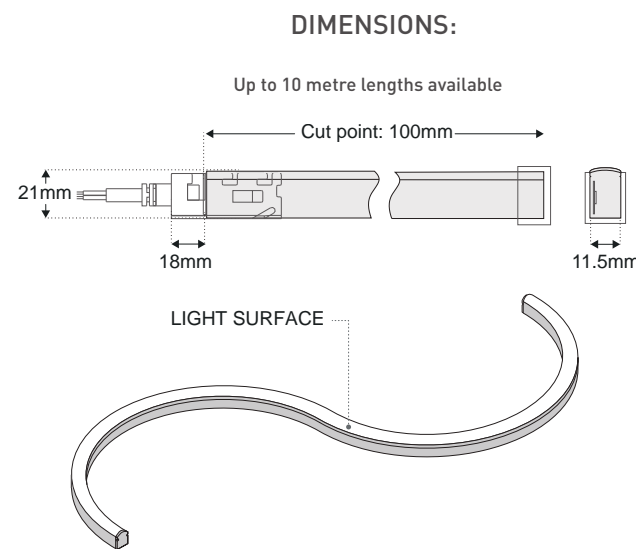
FLEXIBLE LINEAR LED

FLEXIBLE ARCHITECTURAL LINEAR LED - TOP

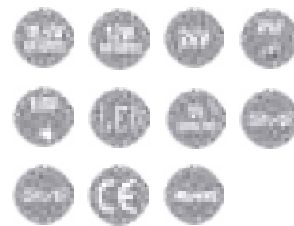


LUMENFLEX-TOP-CRI90 & LUMENFLEX-TOP - Flexible Architectural Linear LED - Top

LUMENFLEX-TOP-CRI90 IP68 rated flexible LED linear solution offers uniform and even light with no LED trail. It is suitable for applications such as border lighting, contours, architectural, accent lighting and submersion under water. The Lumenflex-Top™ features NICHIA LED's and illuminates from the top.



STANDARDS:

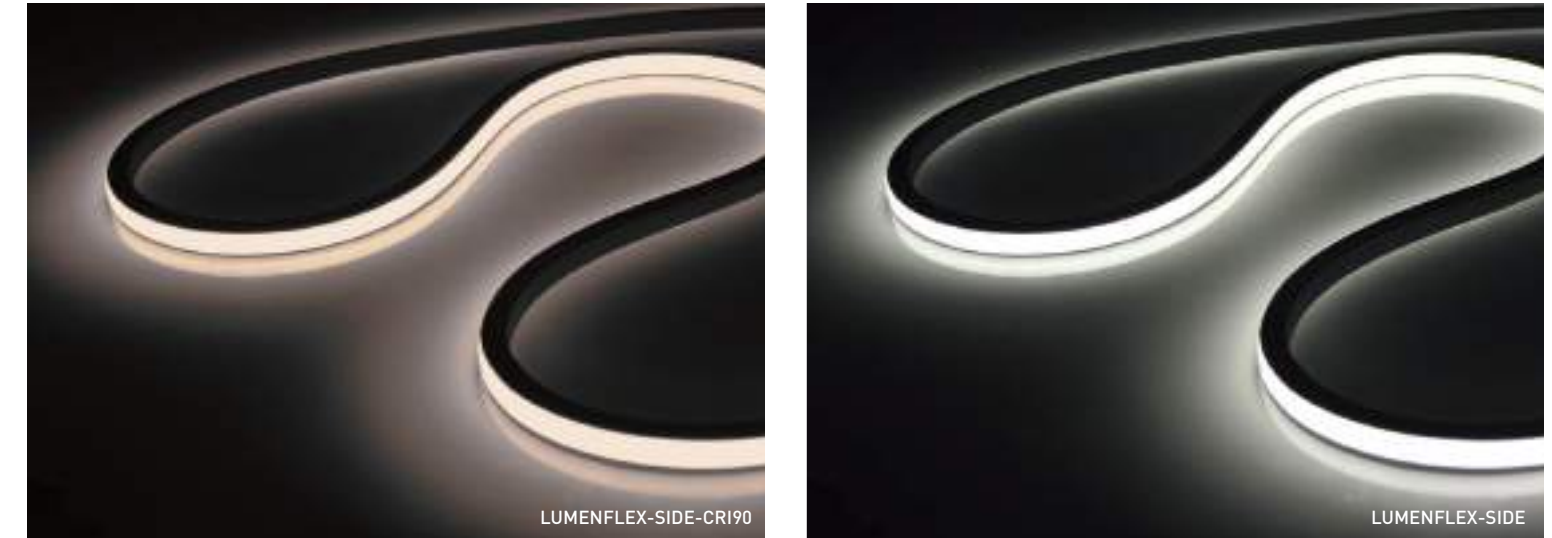


PRODUCT CODING

CODE	WATTAGE	CRI	COLOUR TEMPERATURE	LUMENS
LUMENFLEX-TOP-CRI90	10.5W/M	90	3000K	420LM/M
LUMENFLEX-TOP	12W/M	80	2400K / 2700K / 3000K / 3500K / 4000K	300LM/W / 420LM/W / 450LM/W / 500LM/W

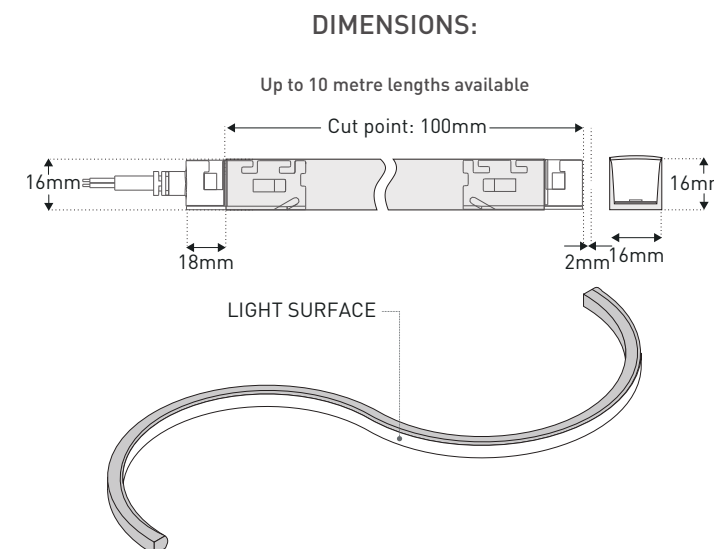
FLEXIBLE LINEAR LED

FLEXIBLE ARCHITECTURAL LINEAR LED - SIDE

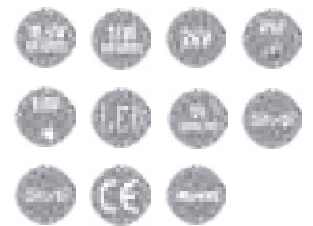


LUMENFLEX-SIDE-CRI90 & LUMENFLEX-SIDE - Flexible Architectural Linear LED - Side

LUMENFLEX-SIDE-CRI90 IP68 rated High CRI flexible linear solution offers uniform and even light with no LED trail. It is suitable for applications such as border lighting, contours, architectural, accent lighting and submersion under water. The Lumenflex-Side™ features NICHIA LED's and side illumination.



STANDARDS:



PRODUCT CODING

CODE	WATTAGE	CRI	COLOUR TEMPERATURE	LUMENS
LUMENFLEX-SIDE-CRI90	10.5W/M	90	3000K	450LM/M
LUMENFLEX-SIDE	11W/M	80	2400K / 2700K / 3000K / 4000K	450LM/W / 500LM/W / 550LM/W / 600LM/W

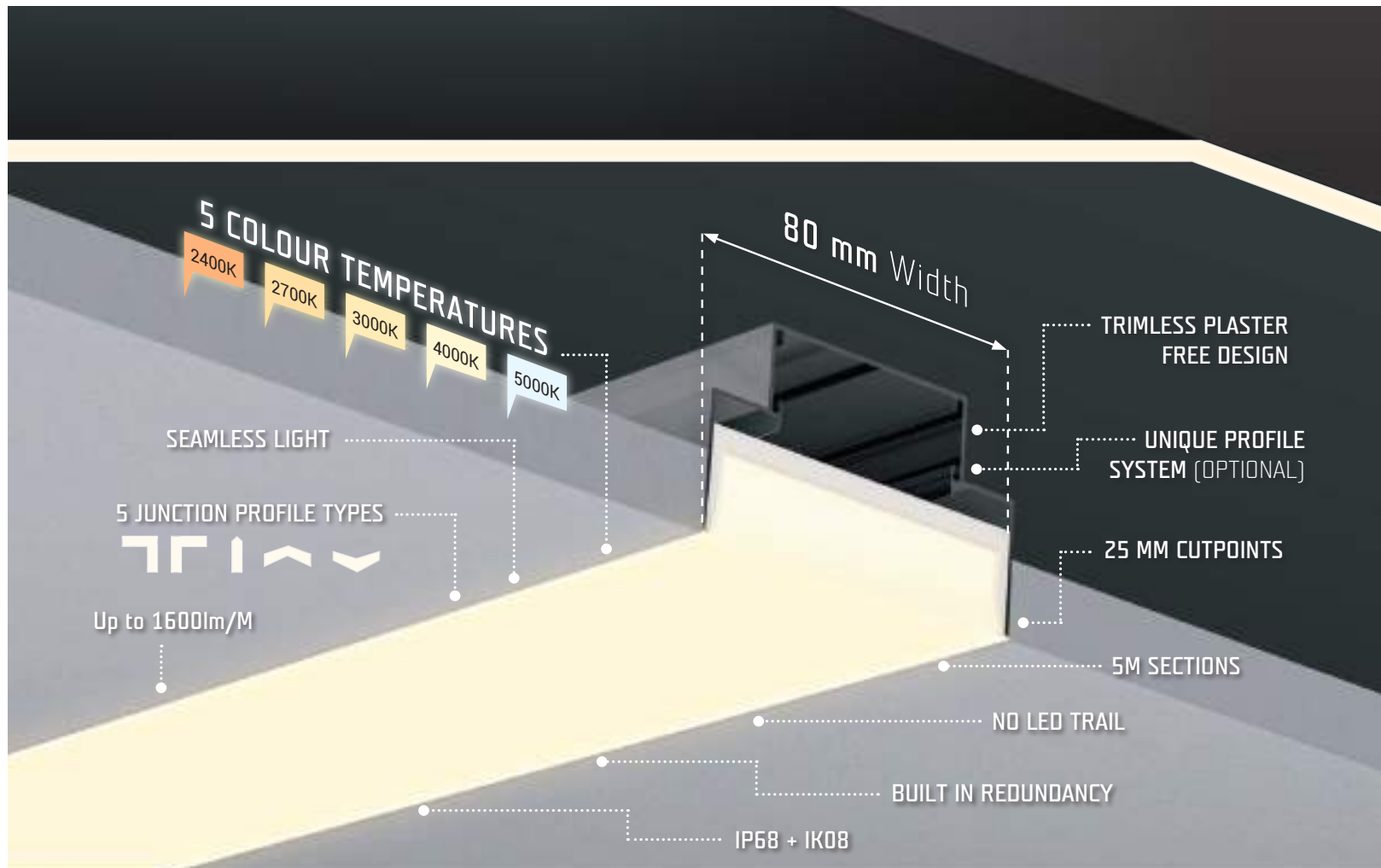
FLEXIBLE LINEAR LED

FLEXIBLE 80MM ARCHITECTURAL LINEAR LED



LUMENFLEX-XL - Flexible 80mm Architectural Linear LED

The flexible 80mm wide LUMENFLEX-XL offers the perfect solution for seamless architectural linear lighting. Bespoke lengths of up to 5 Meters combined with 5 Junction profiles provides the ultimate versatility for your lighting scheme. Available in 5 colour temperatures offering uniform and even light with no LED hotspots.



The Ultimate Flexible Linear LED

The flexible 80mm wide LUMENFLEX-XL™ offers the perfect solution for seamless architectural linear lighting. Bespoke lengths of up to 5 Meters, combined with 5 Junction profiles, provide the ultimate versatility for your lighting scheme. Available in 5 high CRI colour temperatures. The unique LUMENFLEX-XL™ plaster free trimless profile system has been developed to be fully adjustable for the perfect finish.



5 JUNCTION PROFILES TYPES

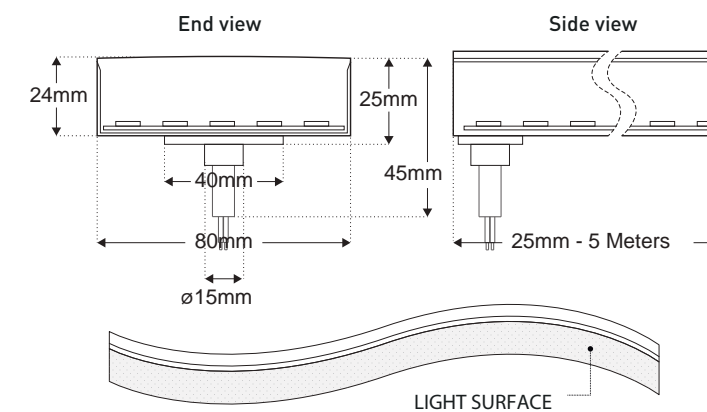


Create seamless lighting with our flawless edge to edge diffusion

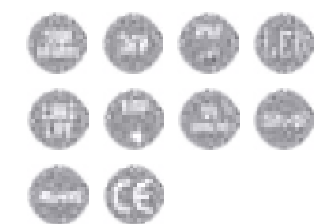
TUNEDIN TECHNOLOGY INSIDE 1-10V ■ Leading/Trailing Edge ■ DALI ■ 30W/Meter ■ DC 36V ■ IP68 ■ IK08 ■ 400 LEDS/Meter

DIMENSIONS:

Up to 5 meter lengths available



STANDARDS:

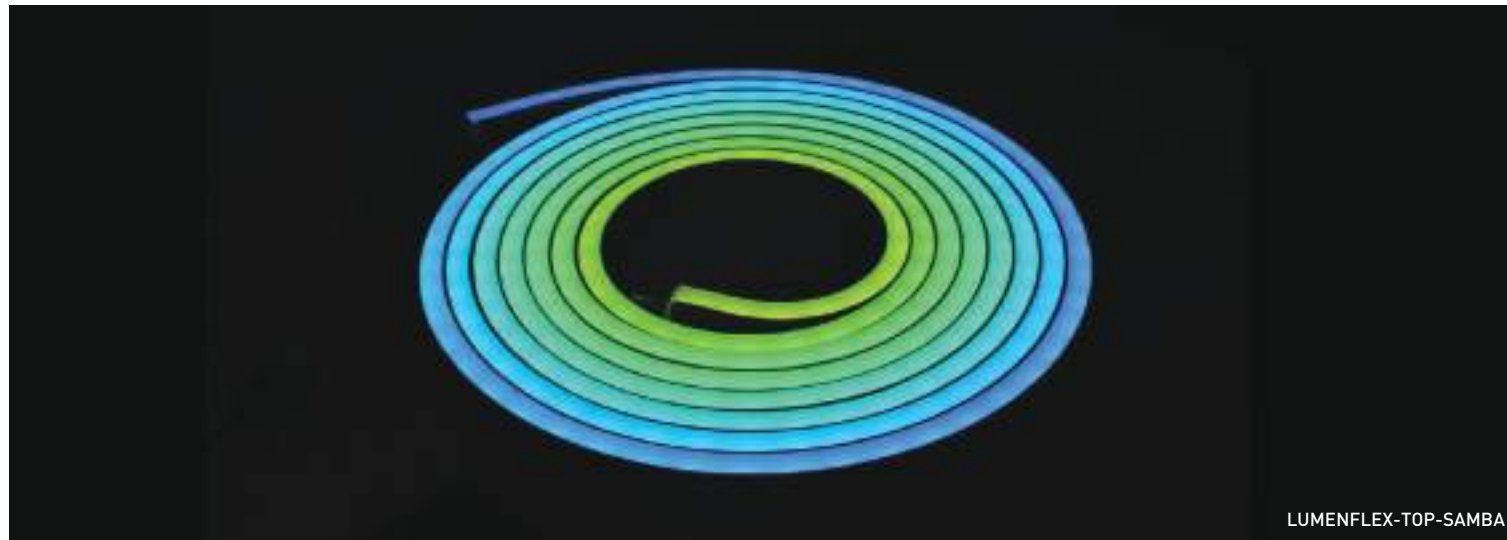


PRODUCT CODING

CODE	WATTAGE	CRI	COLOUR TEMPERATURE	LUMENS
LUMENFLEX-XL	30W/M	80	2400K / 2700K / 3000K / 4000K / 5000K	1400LM / 1450LM / 1500LM / 1550LM / 1600LM

FLEXIBLE RGB LINEAR

FLEXIBLE ARCHITECTURAL LINEAR LED - RGB



LUMENFLEX-TOP-SAMBA

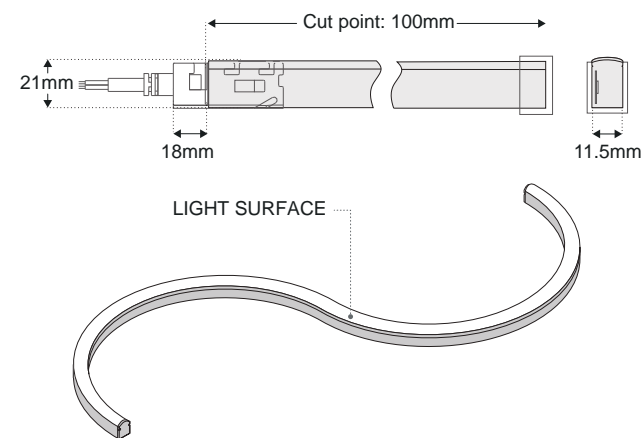
LUMENFLEX-TOP-SAMBA - Flexible Architectural Linear LED - RGB

The flexible Lumenflex TOP SAMBA offers the perfect solution for seamless architectural linear lighting. Bespoke lengths of up to 10 Meters combined with 8 Junction profiles provides the ultimate versatility for your lighting scheme.

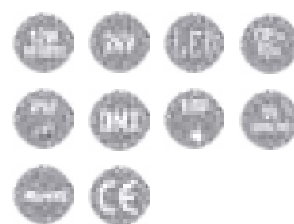
The colour changing LED's offer uniform and even light.

DIMENSIONS:

Up to 10 meter lengths available



STANDARDS:



PRODUCT CODING

CODE	WATTAGE	CRI	COLOUR TEMPERATURE	LUMENS
LUMENFLEX-TOP-SAMBA	12W/M	90	RGB	420LM/M

MULTI-COLOUR EFFECT



BI-COLOUR EFFECT



MONO-COLOUR EFFECT



FLEXIBLE RGB LINEAR

80MM FLEXIBLE ARCHITECTURAL LINEAR LED - RGB

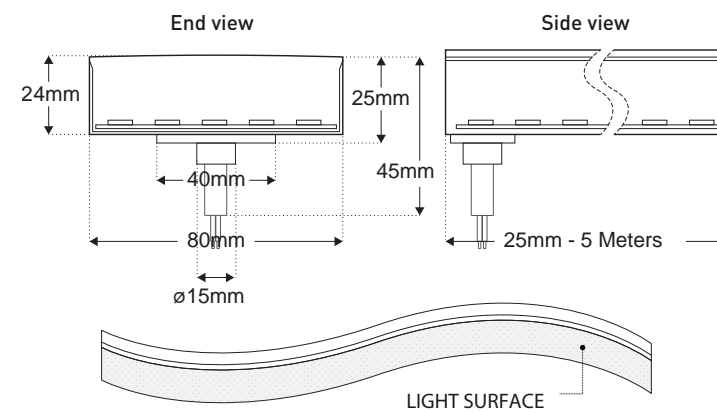


LUMENFLEX-XL-SAMBA - Flexible Architectural Linear LED - RGB

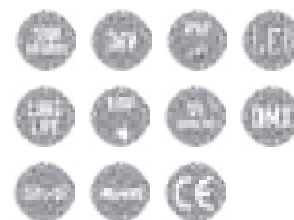
The flexible 80mm wide LUMENFLEX-XL-SAMBA RGB offers the perfect solution for seamless architectural linear lighting. Bespoke lengths of up to 5 Meters combined with 5 Junction profiles provides the ultimate versatility for your lighting scheme.

DIMENSIONS:

Up to 5 meter lengths available

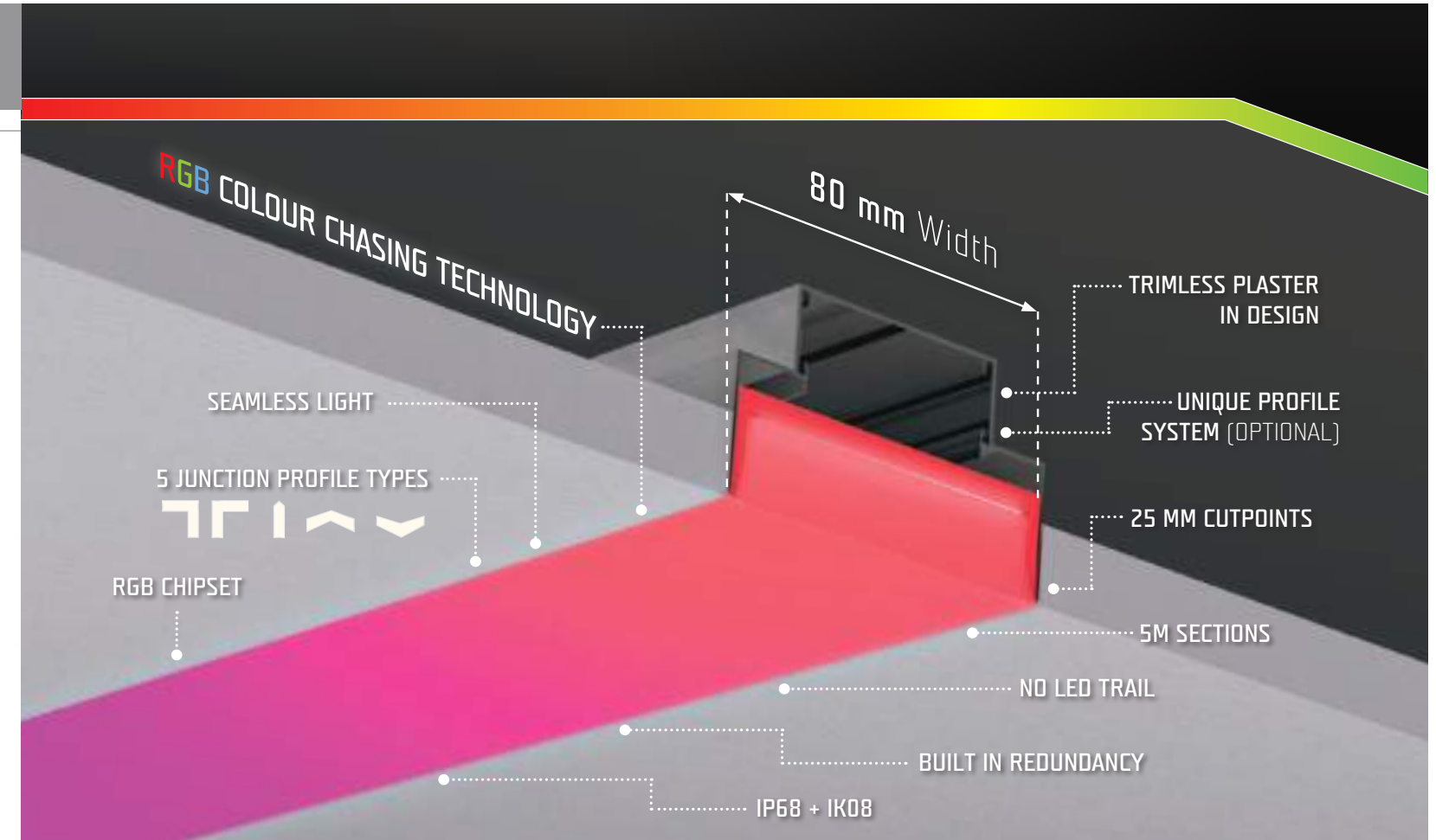


STANDARDS:



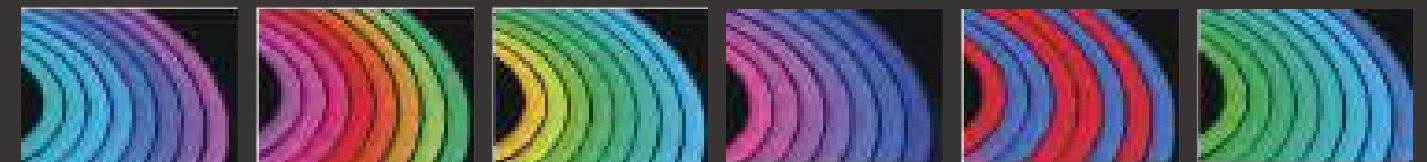
PRODUCT CODING

CODE	WATTAGE	CRI	COLOUR TEMPERATURE	LUMENS
LUMENFLEX-XL-SAMBA	30W/M	80	RGB	---



The Ultimate Flexible Linear RGB LED

The flexible 80mm wide LUMENFLEX-XL™ offers the perfect solution for seamless architectural linear lighting. Bespoke lengths of up to 5 Meters, combined with 5 Junction profiles, provide the ultimate versatility for your lighting scheme. RGB Colour changing technology for creative lighting effects. The unique Lumenflex-XL™ plaster free trimless profile system has been developed to be fully adjustable for the perfect finish.



Also available in LUMENFLEX-TOP [11.5mm wide]

5 JUNCTION PROFILES TYPES



Create seamless lighting with our flawless edge to edge diffusion

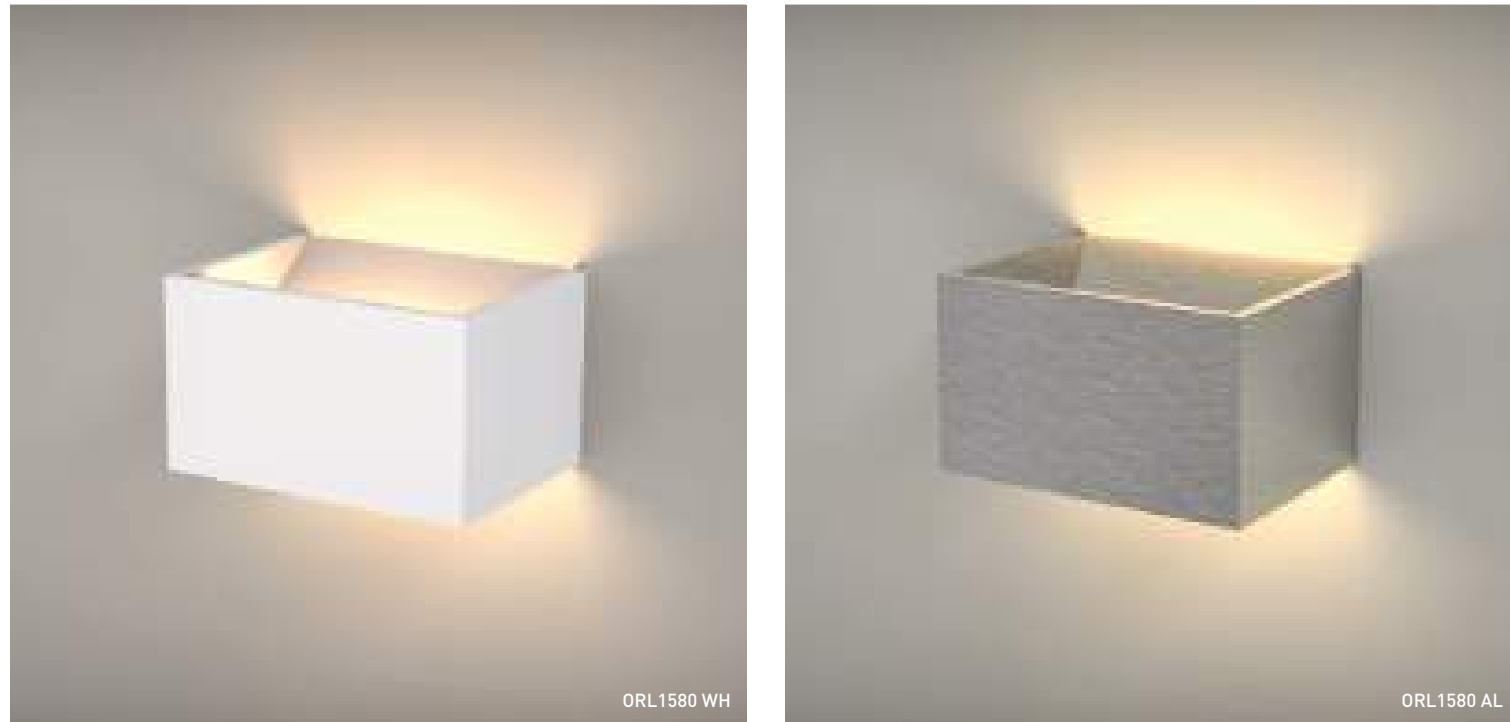


BATTERSEA REACH

Complete lighting Turnkey to all areas.

LINEAR WALL LIGHT

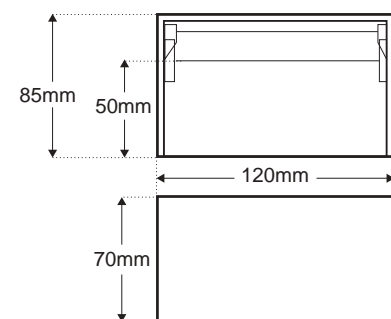
MINI ARCHITECTURAL WALL FIXTURE



ORL1580 - 120MM Linear Wall Light

Range of architectural linear wall fixtures featuring integrated LED chipsets and driver. Crafted from aluminium, the fixture has a modern sleek design with light source reflected above and below to create an attractive lighting effect.

DIMENSIONS:



STANDARDS:



PRODUCT CODING

PRODUCT CODE	FINISH	COLOUR TEMPERATURE	WATTAGE	LUMENS
ORL1580	WHITE	3000K	2.5W	180LM
ORL1580	ALUMINIUM	3000K	2.5W	180LM

LINEAR WALL LIGHT

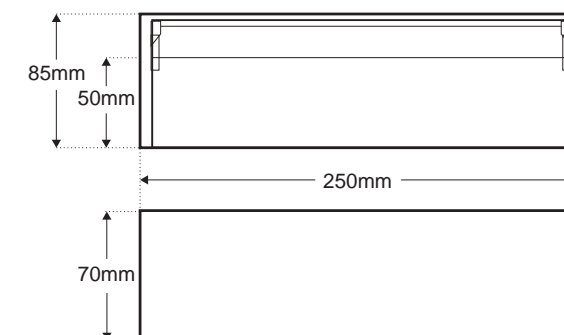
MIDI ARCHITECTURAL WALL FIXTURE



ORL1581 - 250MM Linear Wall Light

Range of architectural linear wall fixtures featuring integrated LED chipsets and driver. Crafted from aluminium, the fixture has a modern and sleek design with light source reflected above and below to create an attractive lighting effect.

DIMENSIONS:



STANDARDS:



PRODUCT CODING

PRODUCT CODE	FINISH	COLOUR TEMPERATURE	WATTAGE	LUMENS
ORL1581	WHITE	3000K	5W	420LM
ORL1581	ALUMINIUM	3000K	5W	420LM

LINEAR WALL LIGHT

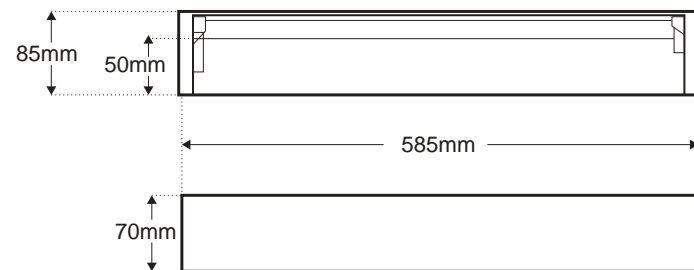
MAXI ARCHITECTURAL WALL FIXTURE



ORL1582 - 585MM Linear Wall Light

Range of architectural linear wall fixtures featuring intergrated LED chipsets and driver. Crafted from aluminium, the fixture has a modern and sleek design with light source reflected above and below to create an attractive lighting effect.

DIMENSIONS:



STANDARDS:



PRODUCT CODING

PRODUCT CODE	FINISH	COLOUR TEMPERATURE	WATTAGE	LUMENS
ORL1582	WHITE	3000K	10W	950LM
ORL1582	ALUMINIUM	3000K	10W	950LM

LINEAR WALL LIGHT

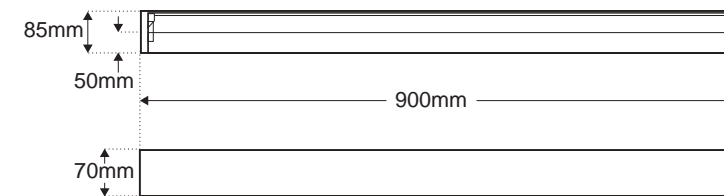
GRANDE ARCHITECTURAL WALL FIXTURE



ORL1583 - 900MM Linear Wall Light

Range of architectural linear wall fixtures featuring intergrated LED chipsets and driver. Crafted from aluminium, the fixture has a modern and sleek design with light source reflected above and below to create an attractive lighting effect.

DIMENSIONS:



STANDARDS:



PRODUCT CODING

PRODUCT CODE	FINISH	COLOUR TEMPERATURE	WATTAGE	LUMENS
ORL1583	WHITE	3000K	15W	1500LM
ORL1583	ALUMINIUM	3000K	15W	1500LM

LINEAR WALL LIGHTS

GRANDE ARCHITECTURAL WALL FIXTURE



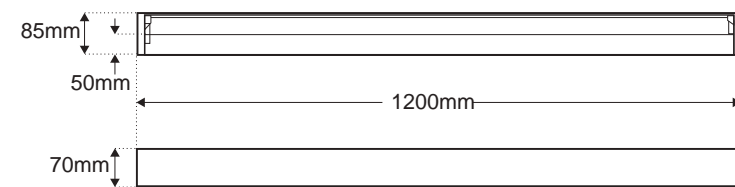
ORL1584 WH

ORL1584 AL

ORL1584 - 1.2 Meter Linear Wall Light

Range of architectural linear wall fixtures featuring intergrated LED chipsets and driver. Crafted from aluminium, the fixture has a modern and sleek design with light source reflected above and below to create an attractive lighting effect.

DIMENSIONS:



STANDARDS:



PRODUCT CODING

PRODUCT CODE	FINISH	COLOUR TEMPERATURE	WATTAGE	LUMENS
ORL1584	WHITE	3000K	20W	2000LM
ORL1584	ALUMINIUM	3000K	20W	2000LM



GOODMANS FIELD

Complete lighting Turnkey to all areas.
Private Apartments, Landlord Areas, Special Rooms and Landscaped Exteriors.



ONE TOWER BRIDGE

Low level lighting to all landlord areas throughout scheme and apartment lighting to two private blocks.

Private Apartments & Landlord Areas.

HAMPTONS DESIGNER WALL LIGHT



ORLHP1 GB

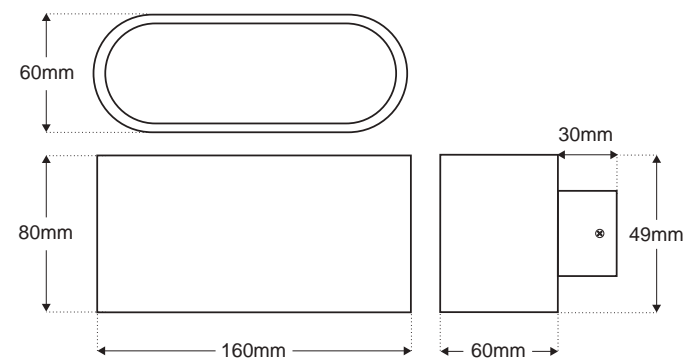


ORLHP1 AW

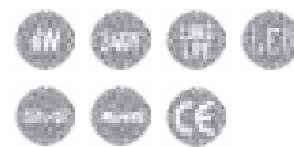
ORLHP1 - Hamptons Designer Wall Light

This stunning wall fixture is finished with a golden colour inlay and integrated 6W Rebel LED chipset. The fixture features an integrated LED power supply unit allowing for a direct 240V input and facilitating ease of installation.

DIMENSIONS:



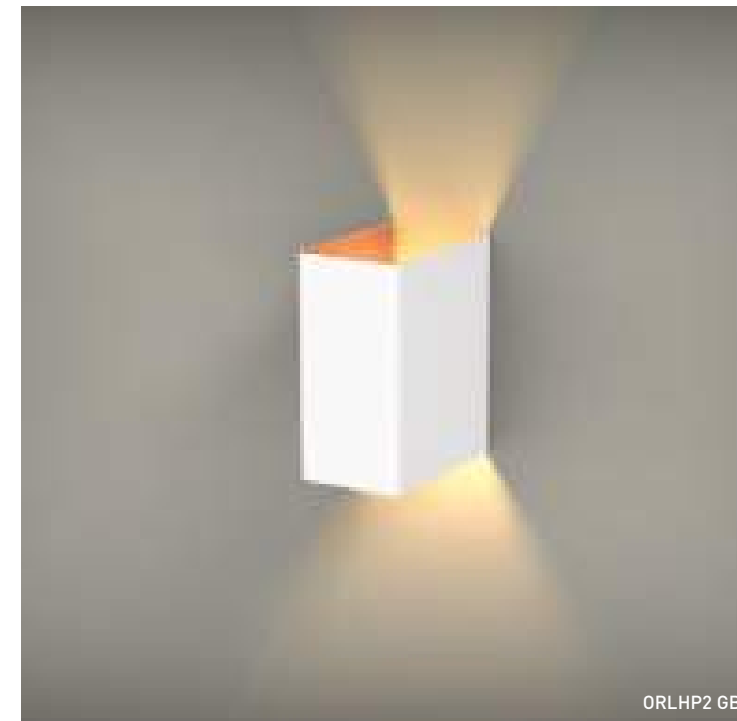
STANDARDS:



PRODUCT CODING

PRODUCT CODE	FINISH	COLOUR TEMPERATURE	WATTAGE	LUMENS
ORLHP1	WHITE & GOLD INNER	3000K	6W	450LM
ORLHP1	ALL WHITE	3000K	6W	450LM

HAMPTONS DESIGNER WALL LIGHT



ORLHP2 GB

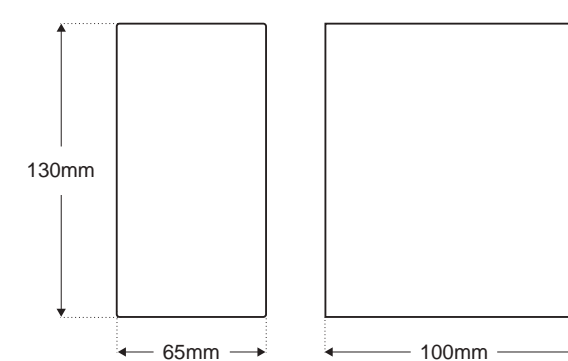


ORLHP3 GB

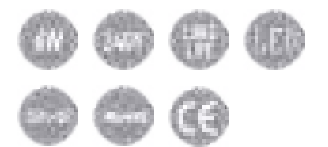
ORLHP2 & ORLHP3 - Hamptons Designer Wall Light

This stunning wall fixture is finished with a golden colour inlay and integrated 6W Rebel LED chipset. The fixture features an integrated LED power supply unit allowing for a direct 240V input and facilitating ease of installation.

DIMENSIONS:



STANDARDS:



PRODUCT CODING

PRODUCT CODE	FINISH	COLOUR TEMPERATURE	WATTAGE	LUMENS
ORLHP2	WHITE & GOLD INNER	3000K	6W	450LM
ORLHP3	WHITE & GOLD INNER	3000K	6W	450LM



STANMORE PLACE

Complete lighting Turnkey solution to all areas.

Private Apartments, Landlord Areas and Landscaped Exteriors.

IPANEMA CURVED

IPANEMA SQUARE



ORLIP1 WH



ORLIP2 WH

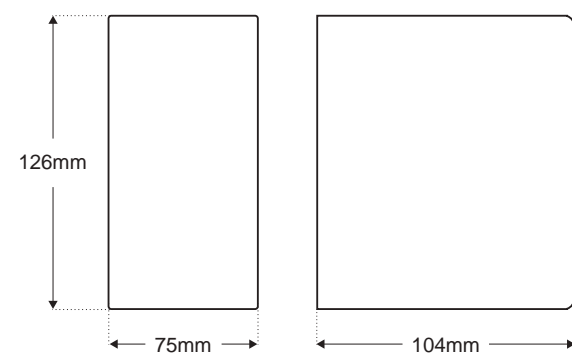
ORLIP1 - Ipanema Curved

Part of the Ipanema Collection, this modern wall fixture is crafted from ceramic with an integrated 6W Rebel LED chipset. Featuring an integrated LED power supply unit allowing for a direct 240V input and facilitating ease of installation.

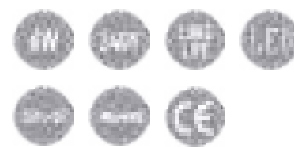
ORLIP2 - Ipanema Square

Part of the Ipanema Collection, this modern wall fixture is crafted from ceramic with an integrated 6W Rebel LED chipset. Featuring an integrated LED power supply unit allowing for a direct 240V input and facilitating ease of installation.

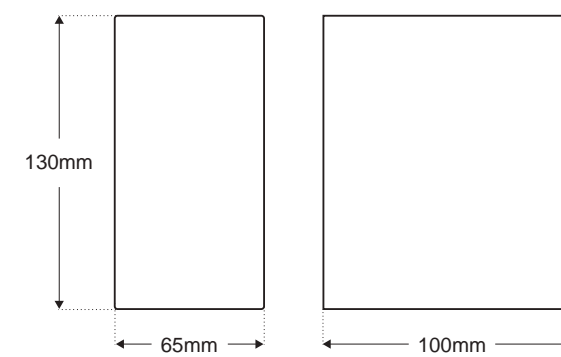
DIMENSIONS:



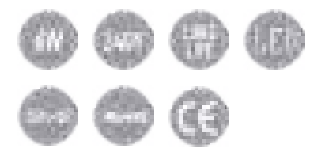
STANDARDS:



DIMENSIONS:



STANDARDS:



PRODUCT CODING

PRODUCT CODE	FINISH	COLOUR TEMPERATURE	WATTAGE	LUMENS
ORLIP1	WHITE	3000K	6W	450LM

PRODUCT CODING

PRODUCT CODE	FINISH	COLOUR TEMPERATURE	WATTAGE	LUMENS
ORLIP2	WHITE	3000K	6W	450LM

IPANEMA SQUARE

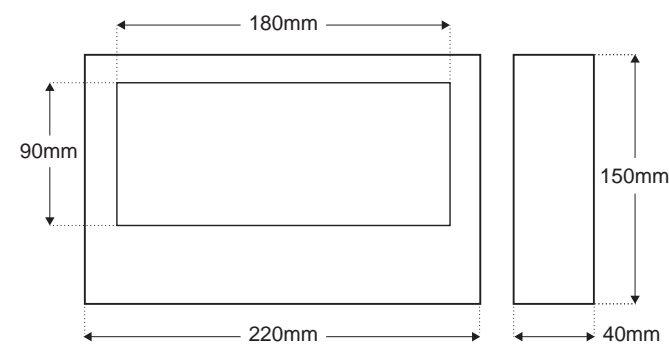


ORLIP3 WH

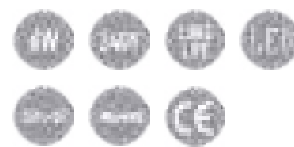
ORLIP3 - Ipanema Square

Part of the Ipanema Collection, this modern wall fixture is crafted from ceramic with an integrated 6W Rebel LED chipset. Featuring an integrated LED power supply unit allowing for a direct 240V input and facilitating ease of installation.

DIMENSIONS:



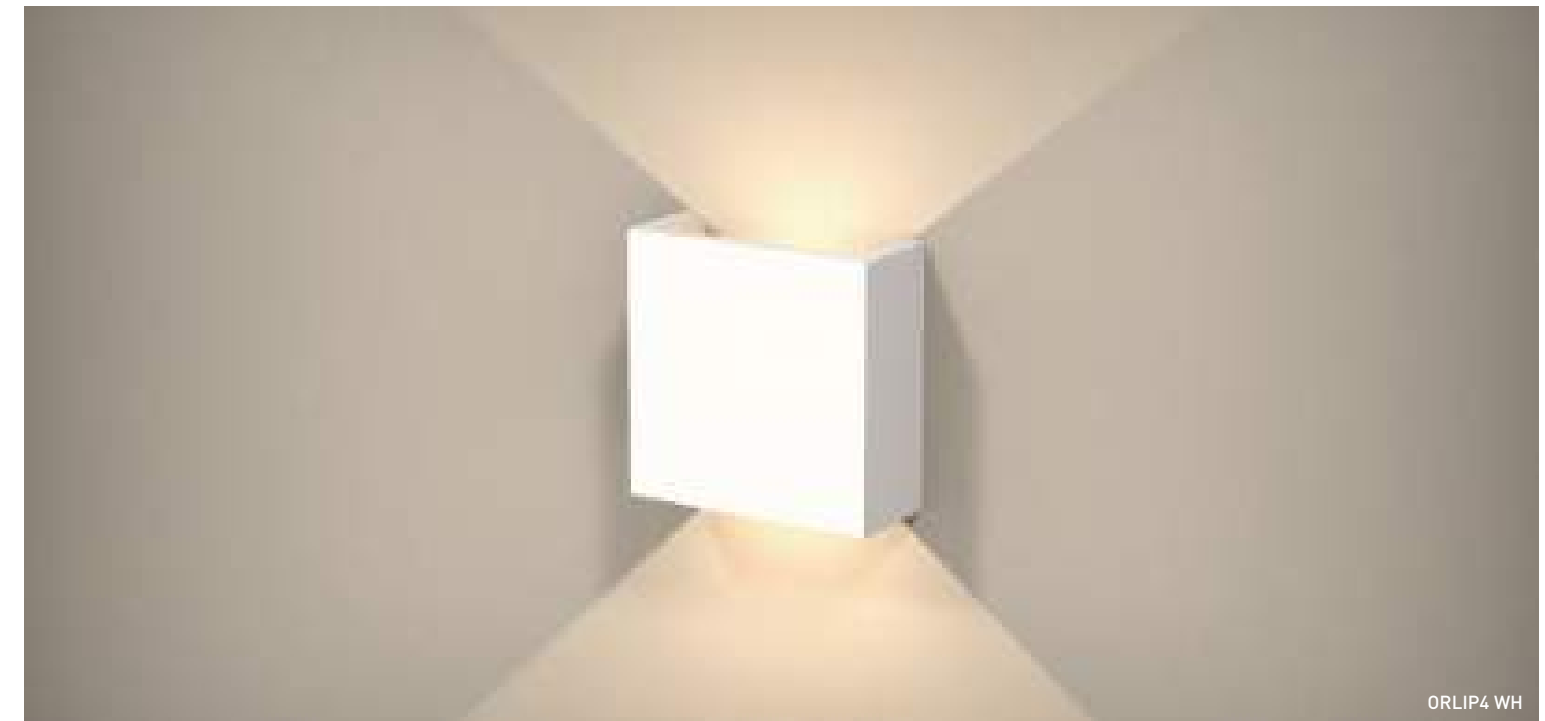
STANDARDS:



PRODUCT CODING

PRODUCT CODE	FINISH	COLOUR TEMPERATURE	WATTAGE	LUMENS
ORLIP3	WHITE	3000K	6W	450LM

IPANEMA UP & DOWN

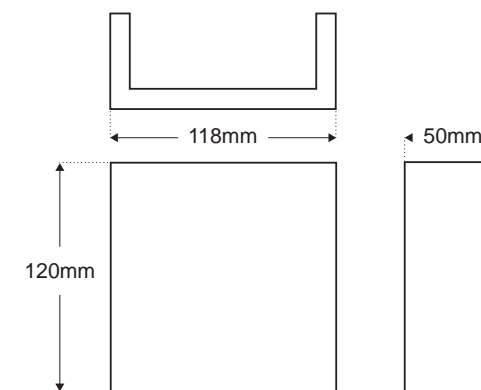


ORLIP4 WH

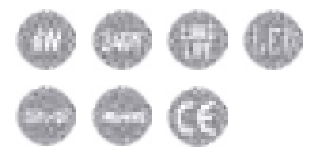
ORLIP4 - Ipanema Up & Down

Part of the Ipanema Collection, this modern wall fixture is crafted from ceramic with an integrated 6W Rebel LED chipset. Featuring an integrated LED power supply unit allowing for a direct 240V input and facilitating ease of installation.

DIMENSIONS:



STANDARDS:



PRODUCT CODING

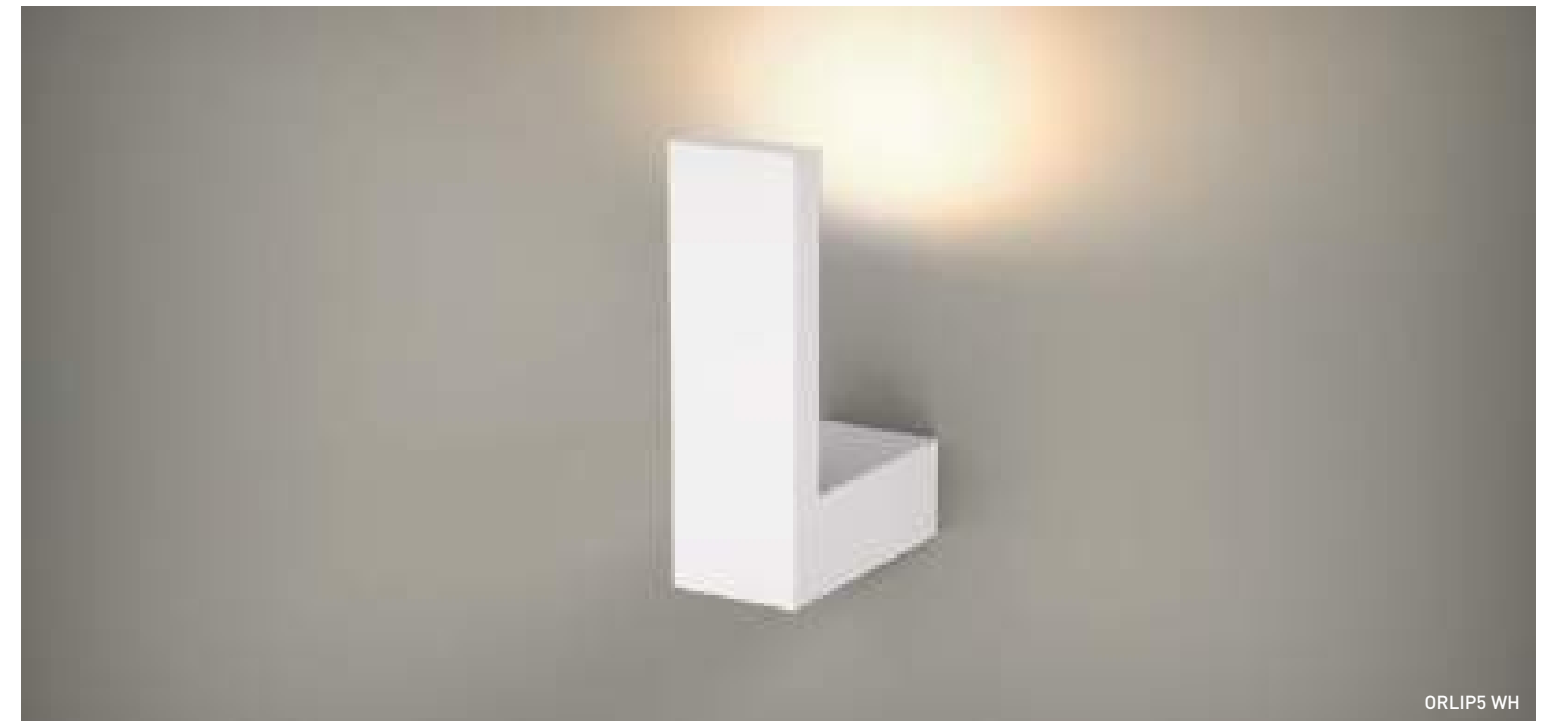
PRODUCT CODE	FINISH	COLOUR TEMPERATURE	WATTAGE	LUMENS
ORLIP4	WHITE	3000K	6W	450LM



IMPERIAL WHARF & CHELSEA CREEK - PHASE 1
 Complete lighting Turnkey solution to all areas.
 Private Apartments, Landlord Areas, Special Rooms and Landscaped Exteriors.

IPANEMA COLLECTION

IPANEMA L-SHAPE

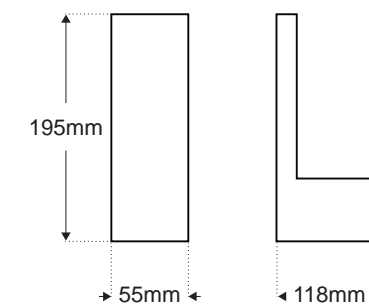


ORLIP5 WH

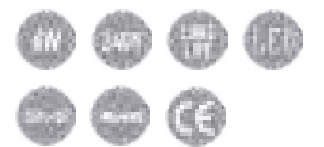
ORLIP5 - Ipanema L-Shape

Part of the Ipanema Collection, this modern wall fixture is crafted from ceramic with an integrated 6W Rebel LED chipset. Featuring an integrated LED power supply unit allowing for a direct 240V input and facilitating ease of installation.

DIMENSIONS:

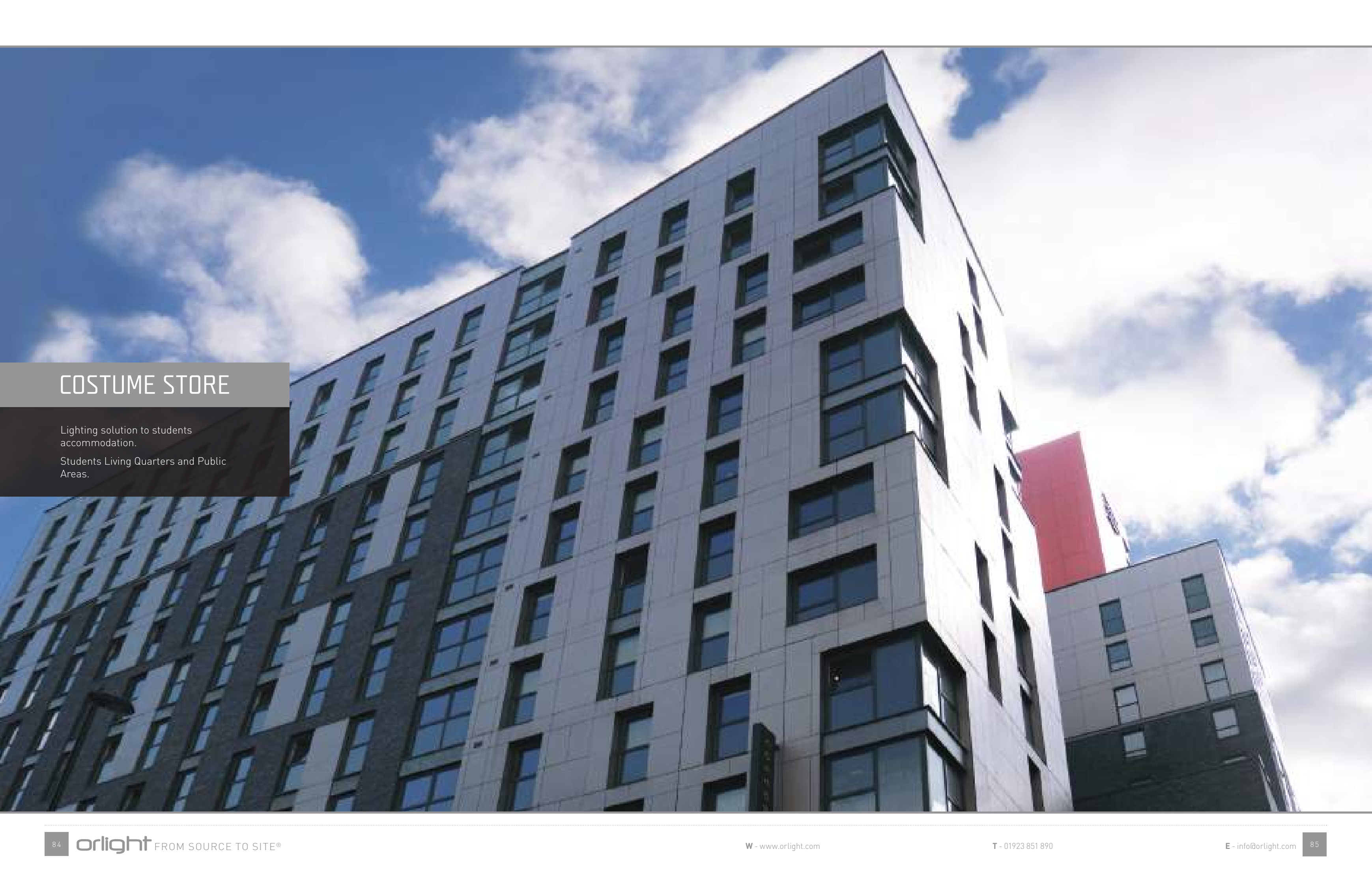


STANDARDS:



PRODUCT CODING

PRODUCT CODE	FINISH	COLOUR TEMPERATURE	WATTAGE	LUMENS
ORLIP5	WHITE	3000K	6W	450LM



COSTUME STORE

Lighting solution to students accommodation.

Students Living Quarters and Public Areas.

IMPERIAL WALL LAMP

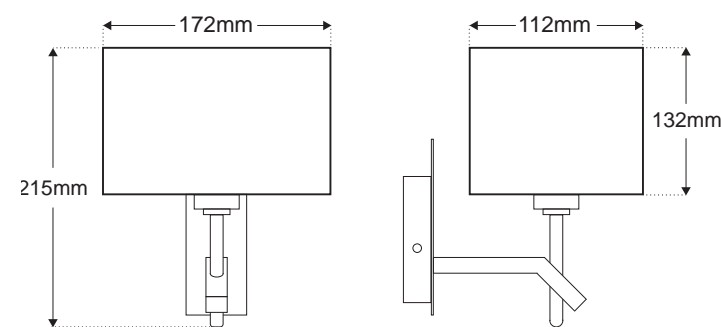


ORL1170 CH

ORL1170 - Imperial Wall Lamp

Part of the Imperial Collection, this attractive wall fixture features classic styling for upscale interiors. Finished in polished chrome with off-white fabric shade to provide a warm and welcoming atmosphere. Suitable for maximum 40W incandescent lamp or low energy retrofit equivalents.

DIMENSIONS:



STANDARDS:



PRODUCT CODING

PRODUCT CODE	FINISH	LAMP TYPE	WATTAGE
ORL1170	CHROME	1 x E14	MAX 40W

IMPERIAL TABLE LAMP

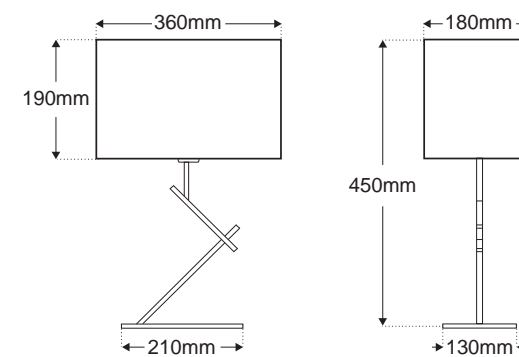


ORL4168 CH

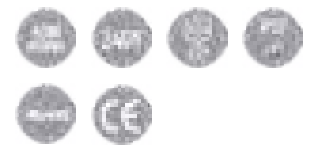
ORL4168 - Imperial Table Lamp

Part of the Imperial Collection, this attractive table lamp features classic styling for upscale interiors. Finished in polished chrome with off-white fabric shade to provide a warm and welcoming atmosphere. Suitable for maximum 60W incandescent lamp or low energy retrofit equivalents.

DIMENSIONS:



STANDARDS:



PRODUCT CODING

PRODUCT CODE	FINISH	LAMP TYPE	WATTAGE
ORL4168	CHROME	1 x E27	MAX 60W

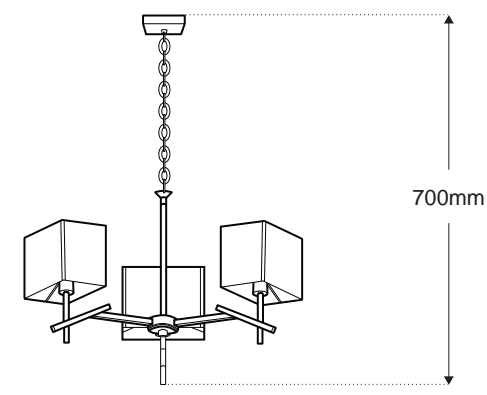
IMPERIAL 3 ARM PENDANT



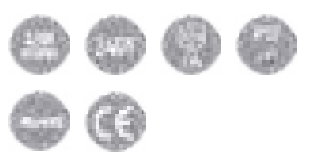
ORL3171 - Imperial 3 Arm Pendant Light

Part of the Imperial Collection, this attractive 3 arm pendant features classic styling for upscale interiors. Finished in polished chrome with off-white fabric shade to provide a warm and welcoming atmosphere. Suitable for maximum 40W incandescent lamps or low energy retrofit equivalents.

DIMENSIONS:



STANDARDS:



PRODUCT CODING

PRODUCT CODE	FINISH	LAMP TYPE	WATTAGE
ORL3171	CHROME	3 x E14	3 X MAX 40W

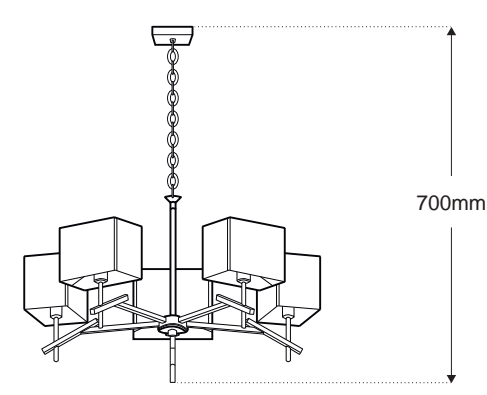
IMPERIAL 5 ARM PENDANT



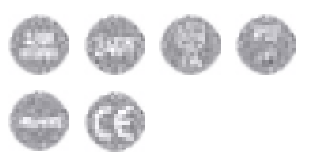
ORL3172 - Imperial 5 Arm Pendant

Part of the Imperial Collection, this attractive 5 arm pendant features classic styling for upscale interiors. Finished in polished chrome with off-white fabric shade to provide a warm and welcoming atmosphere. Suitable for maximum 40W incandescent lamps or low energy retrofit equivalents.

DIMENSIONS:



STANDARDS:



PRODUCT CODING

PRODUCT CODE	FINISH	LAMP TYPE	WATTAGE
ORL3172	CHROME	5 x E14	5 X MAX 40W

SOUTH BANK TOWER

Complete lighting Turnkey to all areas.

Private Apartments, Landlord Areas and
Landscaped Exteriors.



MAYFAIR WALL LIGHT

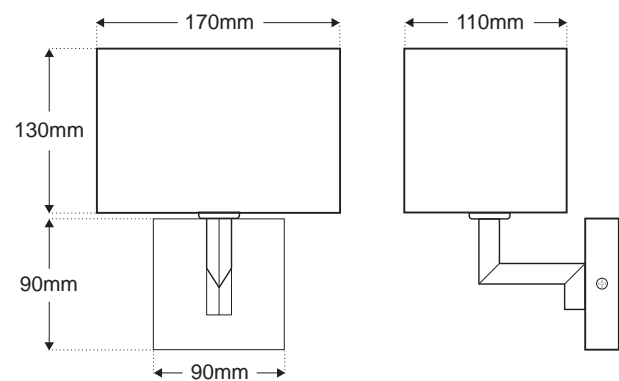


ORLM1W CH

ORLM1W - Mayfair Wall Light

Part of the Mayfair Collection, this modern wall lamp features attractive styling combined with warm fabric shade creating an inviting atmosphere. Ideal for complementing the most exquisite of bedrooms offering bedside functionality with ambient light source. The lamp features a universal E27 base suitable for incandescent or LED retrofit lamp types.

DIMENSIONS:



STANDARDS:



PRODUCT CODING

PRODUCT CODE	FINISH	LAMP TYPE	WATTAGE
ORLM1W	CHROME	1 x E27	MAX 60W

MAYFAIR WALL & READING LIGHT

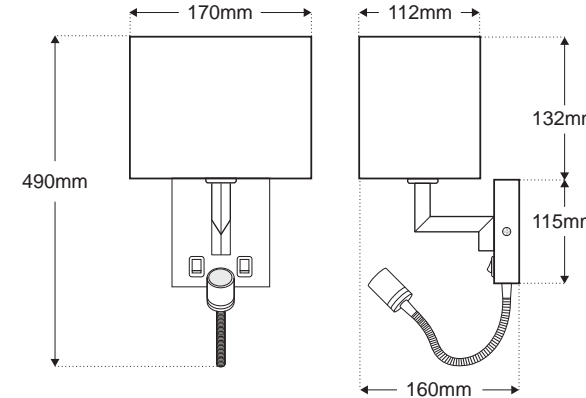


ORLM2W CH

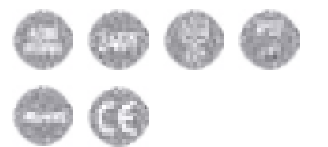
ORLM2W - Mayfair Wall & Reading Light

Part of the Mayfair Collection, this modern wall and reading lamp features attractive styling combined with warm fabric shade creating an inviting atmosphere. Ideal for complementing the most exquisite of bedrooms offering bedside functionality with ambient as well as directional light sources. The lamp features a universal E27 base suitable for incandescent or LED retrofit lamp types.

DIMENSIONS:



STANDARDS:



PRODUCT CODING

PRODUCT CODE	FINISH	LAMP TYPE	WATTAGE
ORLM2W	CHROME	1 x E27	MAX 60W

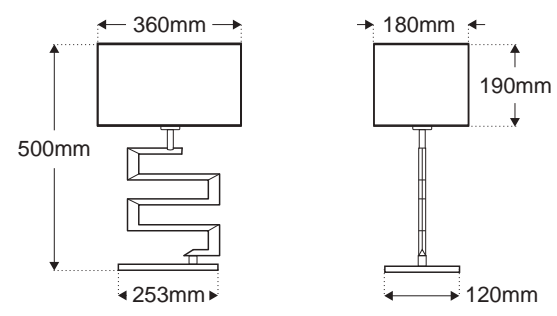
MAYFAIR DESK LIGHT



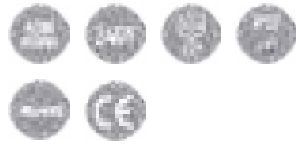
ORLMT1 - Mayfair Desk Light

Part of the Mayfair Collection, this modern desk lamp features attractive styling combined with warm fabric shade creating an inviting atmosphere. Ideal for complementing the most exquisite of bedrooms. The lamp features a universal E27 base suitable for incandescent or LED retrofit lamp types.

DIMENSIONS:



STANDARDS:



PRODUCT CODING

PRODUCT CODE	FINISH	LAMP TYPE	WATTAGE
ORLMT1	CHROME	1 x E27	MAX 60W

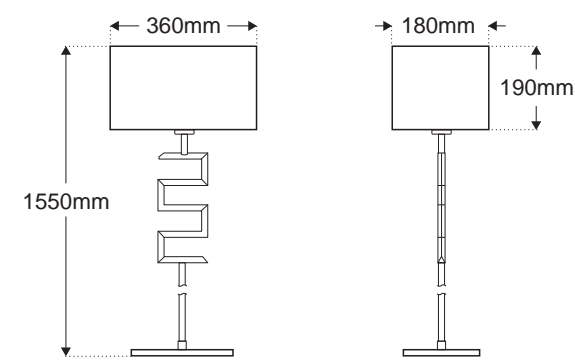
MAYFAIR FLOOR LIGHT



ORLMF1 - Mayfair Floor Light

Part of the Mayfair Collection, this modern floor lamp features attractive styling combined with warm fabric shade creating an inviting atmosphere. Ideal for complementing the most exquisite of interiors. The lamp features a universal E27 base suitable for incandescent or LED retrofit lamp types.

DIMENSIONS:



STANDARDS:



PRODUCT CODING

PRODUCT CODE	FINISH	LAMP TYPE	WATTAGE
ORLMF1	CHROME	1 x E27	MAX 60W

MAYFAIR TWIN PENDANT

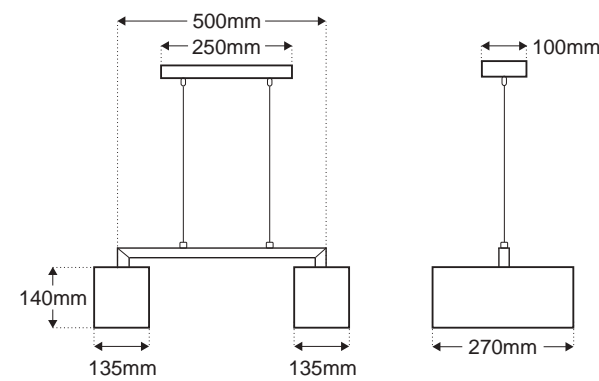


ORLM2P CH

ORLM2P - Mayfair Twin Pendant

The Mayfair twin pendant would create the perfect accompaniment to any interior. Cascading light downward, the warm toned fabric shades create a soothing atmosphere. The universal E27 lamp base facilitate the use of incandescent or low energy retrofit lamp types.

DIMENSIONS:



STANDARDS:



PRODUCT CODING

PRODUCT CODE	FINISH	LAMP TYPE	WATTAGE
ORLM2P	CHROME	2 x E27	2 x MAX 60W

MAYFAIR TRIPLE PENDANT

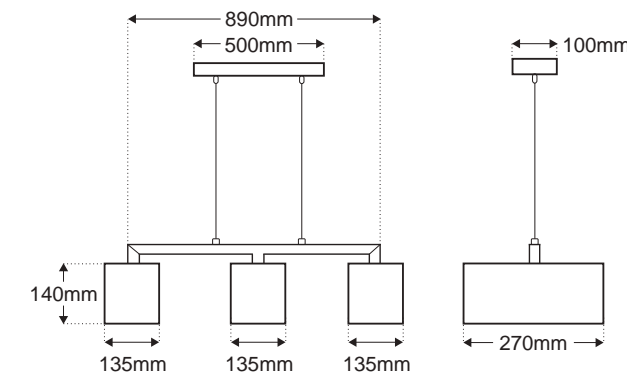


ORLM3P CH

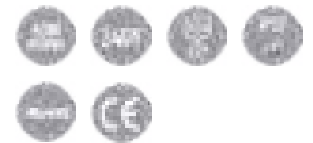
ORLM3P - Mayfair Triple Pendant

The Mayfair triple pendant would create the perfect accompaniment to any interior. Cascading light downward, the warm toned fabric shades create a soothing atmosphere. The universal E27 lamp base facilitate the use of incandescent or low energy retrofit lamp types.

DIMENSIONS:



STANDARDS:



PRODUCT CODING

PRODUCT CODE	FINISH	LAMP TYPE	WATTAGE
ORLM3P	CHROME	3 x E27	3 x MAX 60W

MAYFAIR DESIGNER COLLECTION

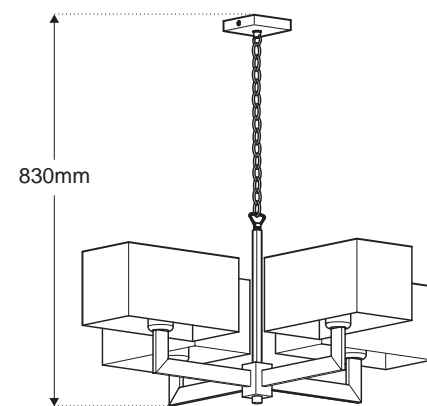
MAYFAIR QUAD PENDANT



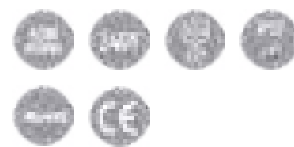
ORLM4P - Mayfair Quad Pendant

The Mayfair quad pendant would create the perfect accompaniment to any interior. The warm toned fabric shades create a soothing and inviting atmosphere. The universal E27 lamp base facilitates the use of incandescent or low energy retrofit lamp types.

DIMENSIONS:



STANDARDS:



PRODUCT CODING

PRODUCT CODE	FINISH	LAMP TYPE	WATTAGE
ORLM4P	CHROME	4 x E27	4 x MAX 60W



HERON TOWER

Commercial lighting scheme.
Welcome Areas and Office Suites on levels 9 and 10.



QUEENSLAND TERRACE

Complete lighting Turnkey to all areas.

Private Apartments, Landlord Areas and Landscaped
Exteriors.

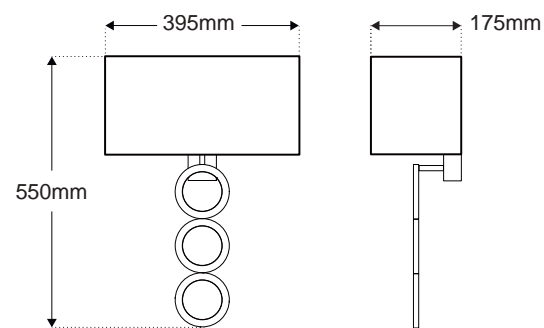
ABELL CURVED WALL LIGHT



ABELL-AB-CV - Abell Curved Wall Light

Wall mounted fixture features classic styling for upscale interiors. Finished in antique bronze with a luxurious fabric shade it is ideal as a feature light for both public and private areas. Suitable for maximum 1 x 40W incandescent lamp or low energy retrofit equivalents allowing flexibility of lamp choice.

DIMENSIONS:



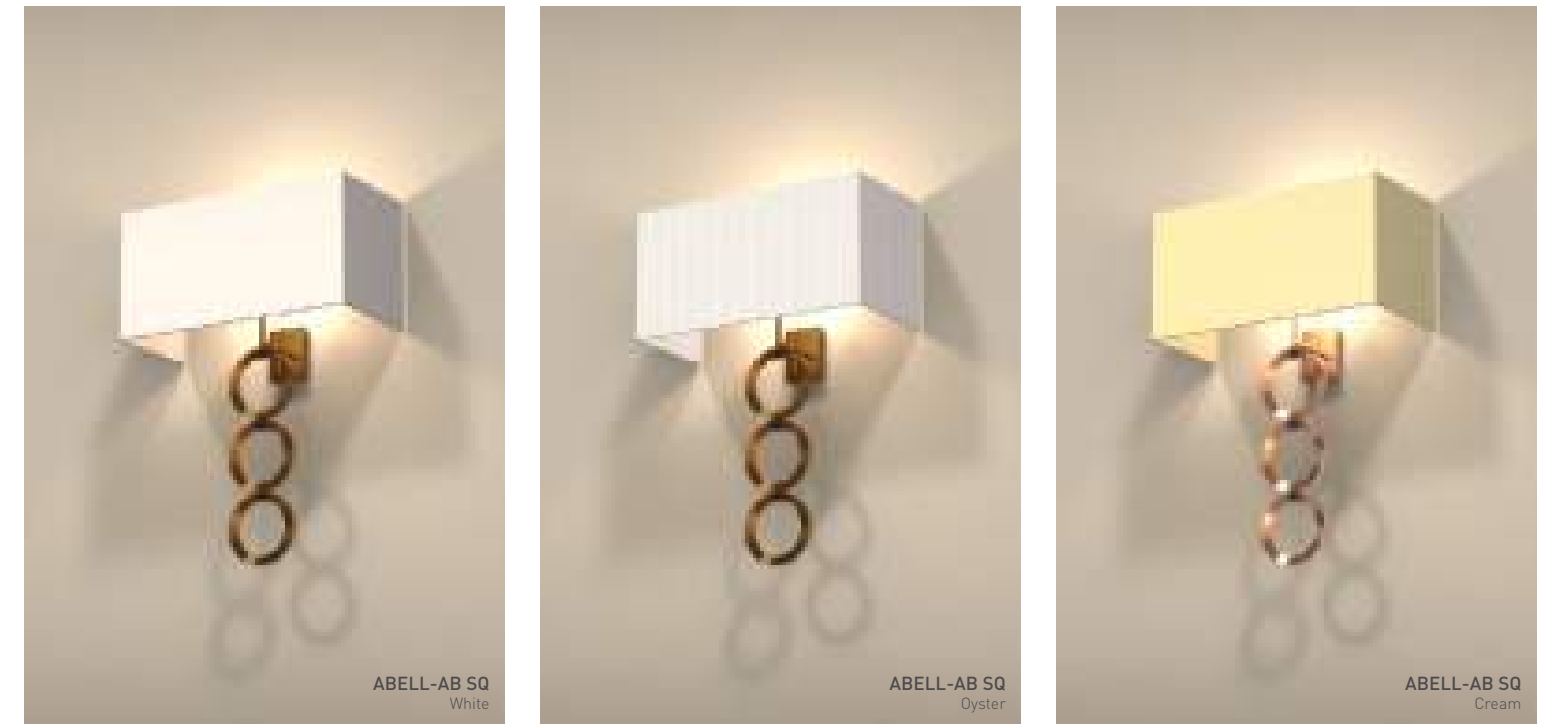
STANDARDS:



PRODUCT CODING

PRODUCT CODE	FINISH	LAMP TYPE	WATTAGE
ABELL-AB-CV-WH	ANTIQUE BRONZE	2 x E14	2 x MAX 40W
ABELL-AB-CV-OY	ANTIQUE BRONZE	2 x E14	2 x MAX 40W
ABELL-AB-CV-CR	ANTIQUE BRONZE	2 x E14	2 x MAX 40W

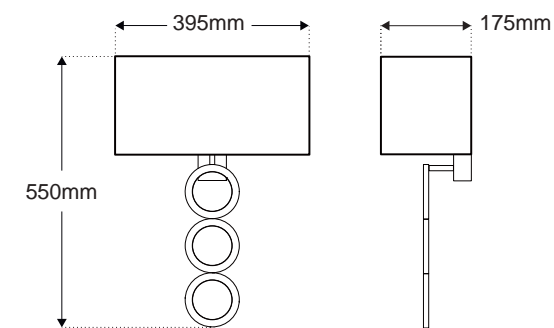
ABELL SQUARE WALL LIGHT



ABELL-AB-SQ - Abell Square Wall Light

Wall mounted fixture features classic styling for upscale interiors. Finished in antique bronze with a luxurious fabric shade it is ideal as a feature light for both public and private areas. Suitable for maximum 1 x 40W incandescent lamp or low energy retrofit equivalents allowing flexibility of lamp choice.

DIMENSIONS:



STANDARDS:



PRODUCT CODING

PRODUCT CODE	FINISH	LAMP TYPE	WATTAGE
ABELL-AB-SQ-WH	ANTIQUE BRONZE	2 x E14	2 x MAX 40W
ABELL-AB-SQ-OY	ANTIQUE BRONZE	2 x E14	2 x MAX 40W
ABELL-AB-SQ-CR	ANTIQUE BRONZE	2 x E14	2 x MAX 40W



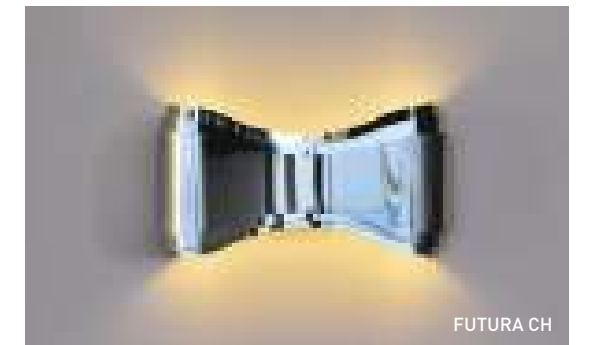
RYDER COURT
Commercial lighting fitout.
Offices, Front of House, Back of House and Welcome Areas.

DECORATIVE WALL LIGHT

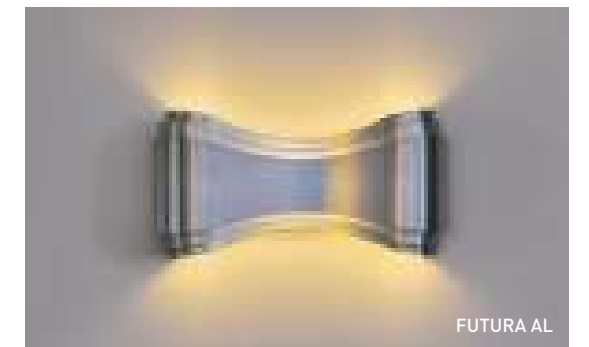
FUTURA WALL LIGHT



FUTURA WH



FUTURA CH

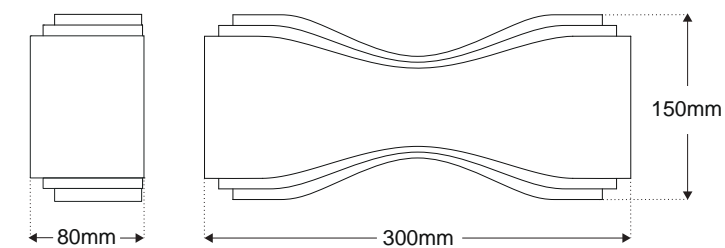


FUTURA AL

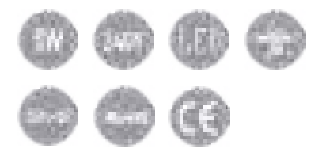
FUTURA - Futura Wall Light

Futuristic designer LED wall fixture with high output, high colour render integrated CREE LED chipset. The Futura range is also available in 3 hour maintained emergency version.

DIMENSIONS:



STANDARDS:



PRODUCT CODING

PRODUCT CODE	FINISH	COLOUR TEMPERATURE	WATTAGE	LUMENS
FUTURA-WH	WHITE	3000K	5W	300LM
FUTURA-CH	CHROME	3000K	5W	300LM
FUTURA-AL	ALUMINIUM	3000K	5W	300LM

PICTURE LIGHT

SMALL PICTURE FRAME FEATURE LIGHT

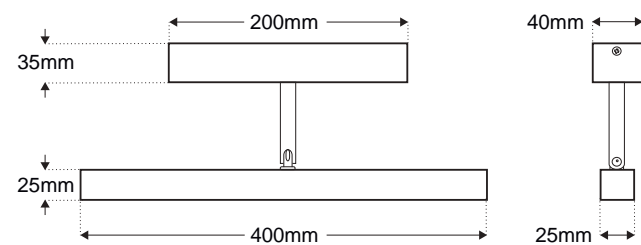


ORL1444 CH

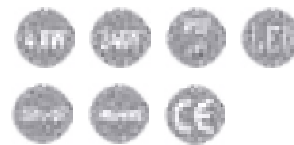
ORL1444 - Small Picture Frame Feature Light

Designer picture light featuring attractive polished chrome finish. Adjustable head allows for easy direction of light. Integrated LED chipset and power supply unit allow for a simple low energy lighting solution. Asymmetric light emission with wide distribution angle facilitates good illumination of artwork.

DIMENSIONS:



STANDARDS:



PRODUCT CODING

PRODUCT CODE	FINISH	COLOUR TEMPERATURE	WATTAGE	LUMENS
ORL1444	CHROME	4000K	4.8W	270LM

PICTURE LIGHT

LARGE PICTURE FRAME FEATURE LIGHT

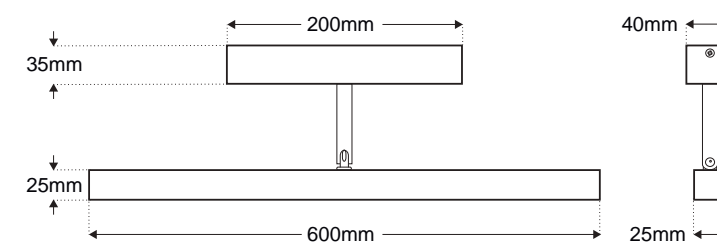


ORL1445 CH

ORL1445 - Large Picture Frame Feature Light

Designer picture light featuring attractive polished chrome finish. Adjustable head allows for easy direction of light. Integrated LED chipset and power supply unit allow for a simple low energy lighting solution. Asymmetric light emission with wide distribution angle facilitates good illumination of artwork.

DIMENSIONS:



STANDARDS:



PRODUCT CODING

PRODUCT CODE	FINISH	COLOUR TEMPERATURE	WATTAGE	LUMENS
ORL1445	CHROME	4000K	6W	270LM



55 MARK LANE

Commercial lighting fitout.

Lighting to Welcome Areas and
Front of House.

RECTANGULAR INDICATOR LIGHT

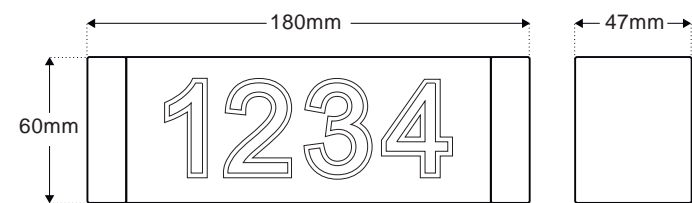


ORL1AB CH

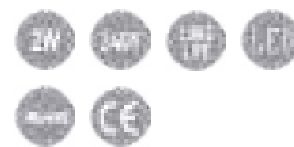
ORL1AB - Rectangular Indicator Light

Indicator fixture, perfect for elegantly accentuating door numbers whilst providing a pleasing marker light effect. Finished in polished chrome with numbering in perspex. Integrated LED light source ensures longevity and efficiency. A direct 240V input negates the need for remote drivers facilitating simple installation. Please contact Orlight design for legend request.

DIMENSIONS:



STANDARDS:



PRODUCT CODING

PRODUCT CODE	FINISH	COLOUR TEMPERATURE	WATTAGE	LUMENS
ORL1AB	CHROME	3000K	2W	160LM

SQUARE INDICATOR LIGHT



ORL2AB CH

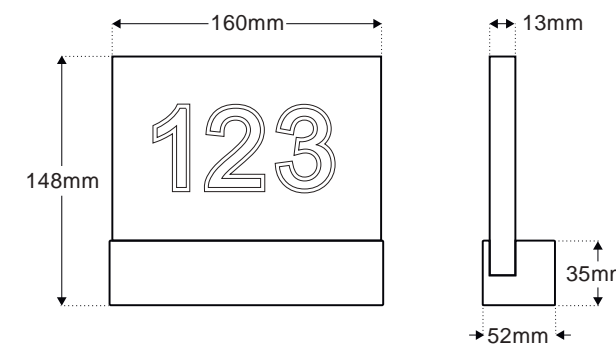


ORL3AB CH

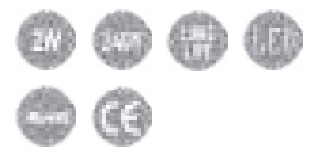
ORL2AB & ORL3AB - Square Indicator Light

Indicator fixture is perfect for elegantly accentuating door numbers whilst providing a pleasing marker light effect. Finished in polished chrome with numbering in perspex. Integrated LED light source ensures longevity and efficiency. A direct 240V input negates the need for remote drivers facilitating simple installation. Please contact Orlight design for legend request.

DIMENSIONS:



STANDARDS:



PRODUCT CODING

PRODUCT CODE	FINISH	COLOUR TEMPERATURE	WATTAGE	LUMENS
ORL2AB	CHROME	3000K	2W	160LM
ORL3AB	CHROME	3000K	2W	160LM

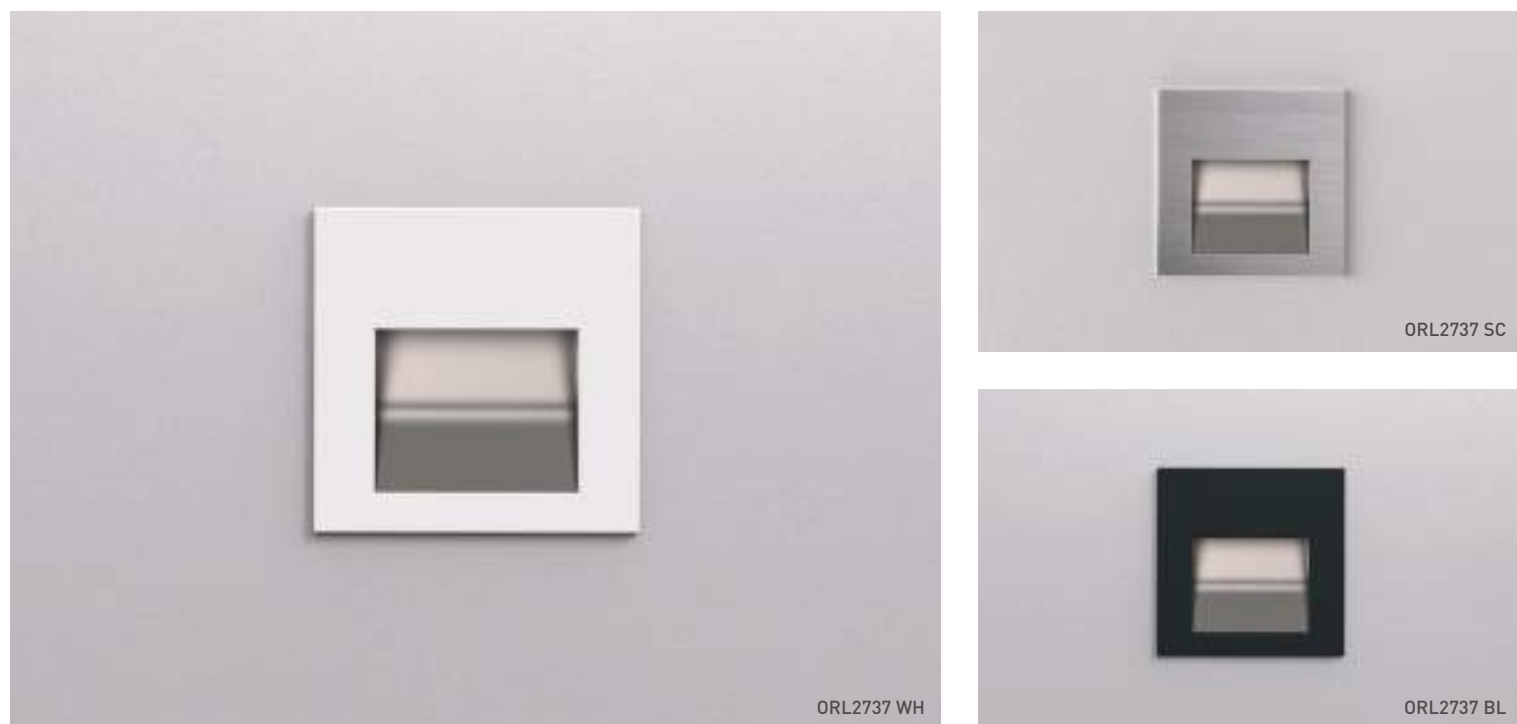


CHELSEA CREEK

Complete lighting Turnkey to all areas.

RECESSED WALL LIGHT

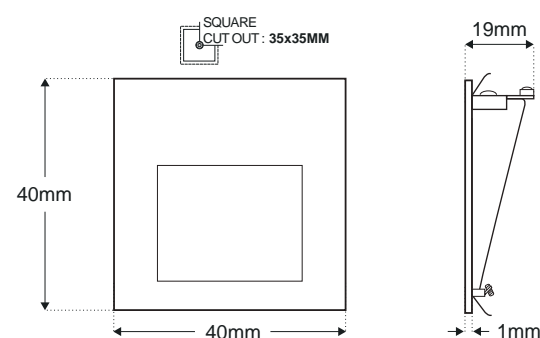
MINI RECESSED DESIGNER WALL LIGHT



ORL2737 - Mini Recessed Designer Wall Light

Mini recessed wall fixture is available in white, black and chrome finish. Internal reflector creates a downward lighting effect. The fixture incorporates a 1W solid state CREE LED light source.

DIMENSIONS:



STANDARDS:



PRODUCT CODING

PRODUCT CODE	FINISH	COLOUR TEMPERATURE	WATTAGE	LUMENS
ORL2737	WH	3000K	1W	135LM
ORL2737	SC	3000K	1W	135LM
ORL2737	BL	3000K	1W	135LM

RECESSED WALL LIGHT

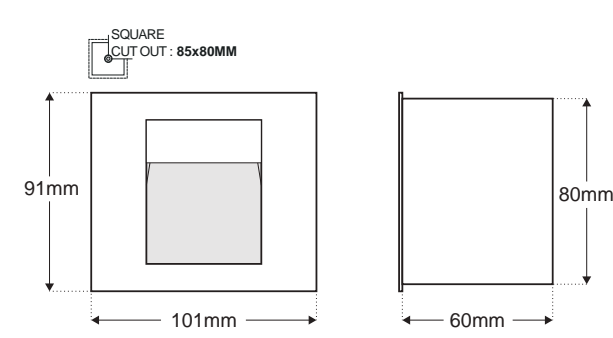
RECESSED DESIGNER WALL LIGHT



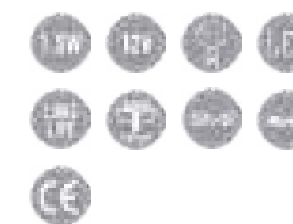
ORL2734 - Recessed Designer Wall Light

Recessed wall fixture with white or stainless steel finish. Internal reflector creates downward lighting effect. Integrated G4 lamp holder compatible with halogen or LED retrofit lamp type. Supplied complete with mounting back box.

DIMENSIONS:



STANDARDS:

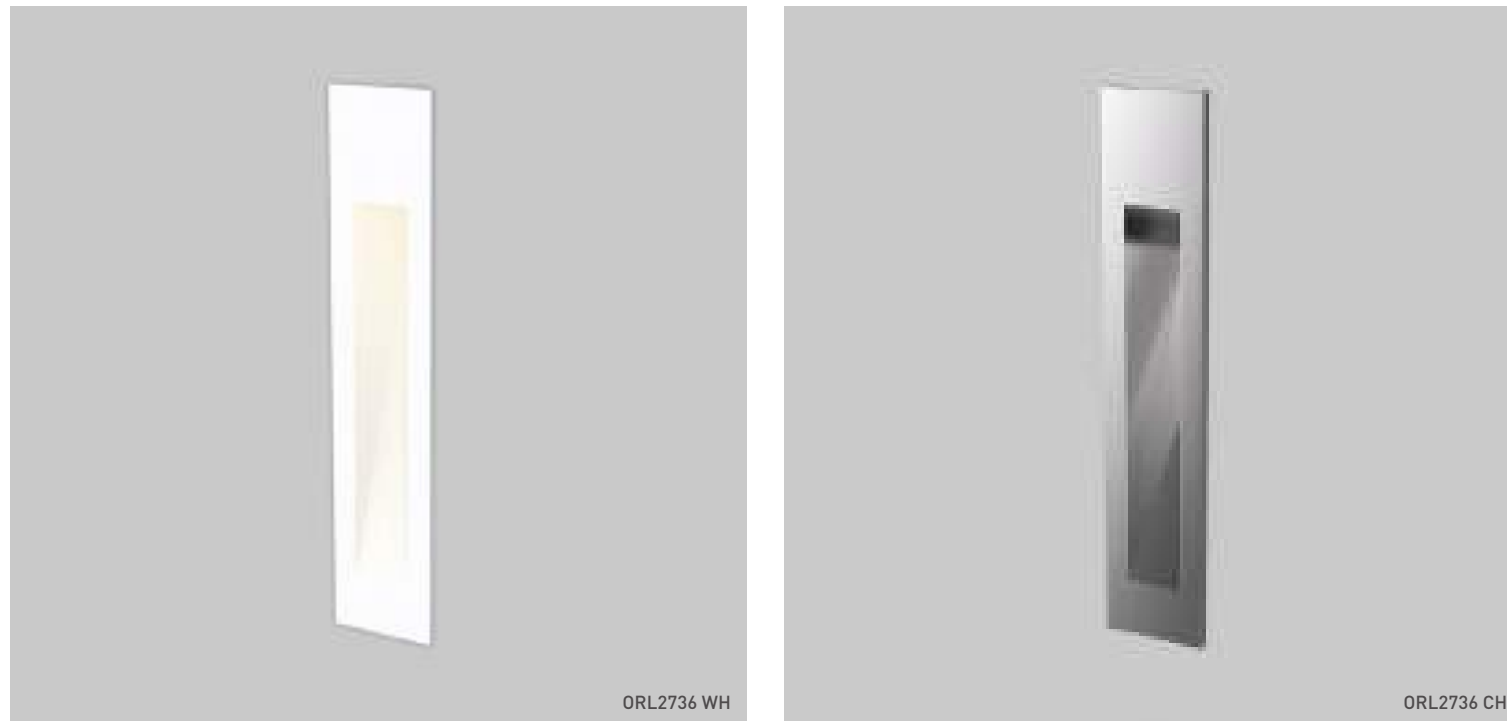


PRODUCT CODING

PRODUCT CODE	FINISH	COLOUR TEMPERATURE	WATTAGE	LUMENS
ORL2734	WH	3000K	1.5W	160LM
ORL2734	SC	3000K	1.5W	160LM

RECESSED WALL LIGHT

SLIM RECESSED DESIGNER WALL LIGHT

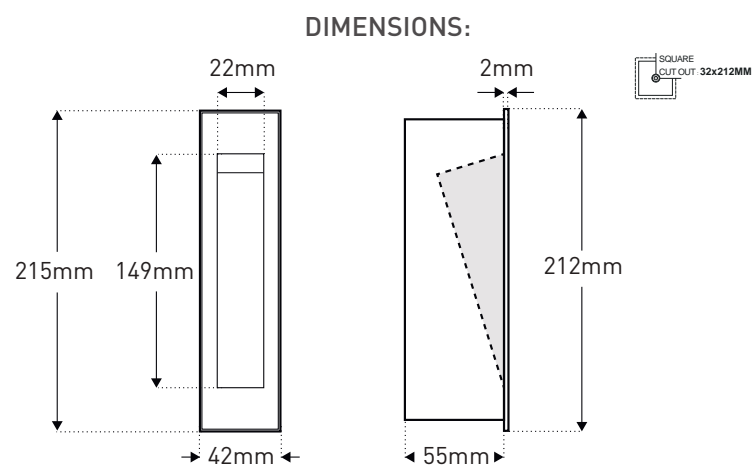


ORL2736 WH

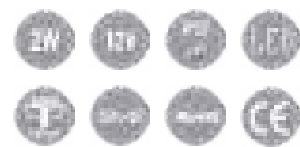
ORL2736 CH

ORL2736 - Slim Recessed Designer Wall Light

Recessed wall light in white or chrome finish. Internal reflector creates a downward lighting effect. The fixture incorporates a 2W solid state CREE LED light source and functions with a 12V in-line driver. Supplied complete with mounting back box.



STANDARDS:



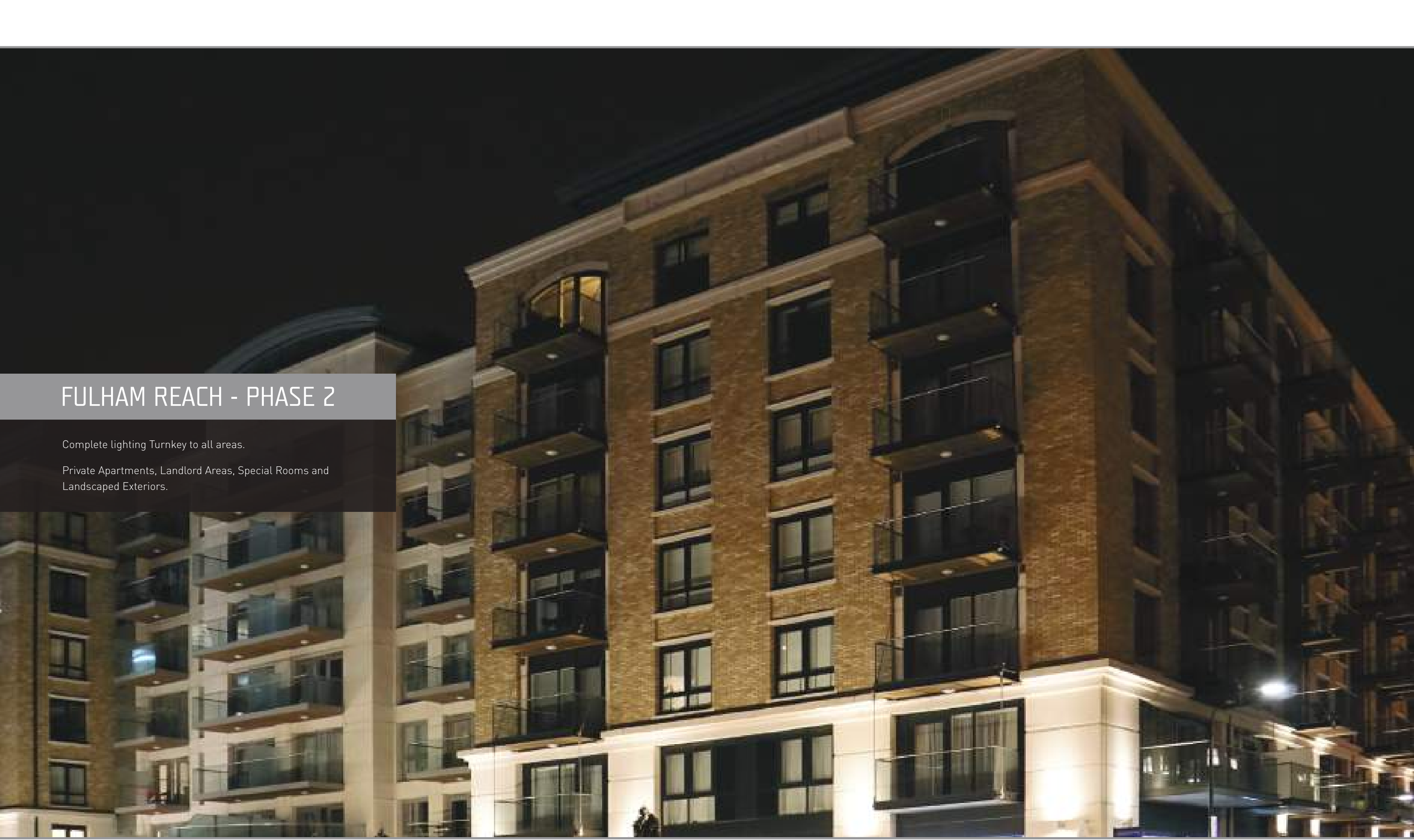
PRODUCT CODING

PRODUCT CODE	FINISH	COLOUR TEMPERATURE	WATTAGE	LUMENS
ORL2736	WH / CH	3000K	2W	180LM



ROMAN HOUSE

Complete lighting Turnkey to all areas.
Apartments, Landlord Areas, Special Rooms and Landscaped Exteriors.



FULHAM REACH - PHASE 2

Complete lighting Turnkey to all areas.

Private Apartments, Landlord Areas, Special Rooms and Landscaped Exteriors.



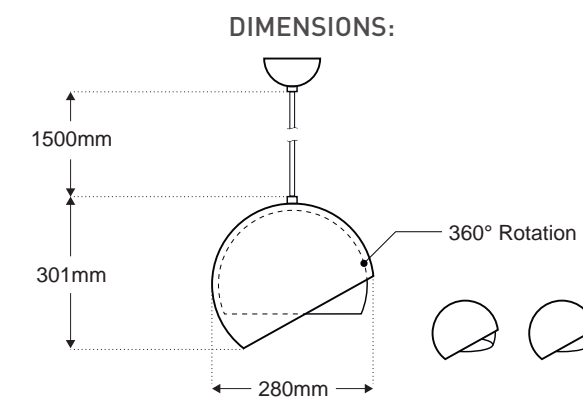
PENDANT LIGHT

DESIGNER PENDANT LIGHT



ALBA - Designer Pendant Light

This attractive designer ceiling pendant features contemporary styling for upscale interiors. Finished in white, polished chrome or black. Suitable for maximum 60W LED lightsource.



STANDARDS:



PRODUCT CODING

PRODUCT CODE	FINISH	LAMP TYPE	WATTAGE
ALBA	WH	1 x E27	MAX 60W
ALBA	CH	1 x E27	MAX 60W
ALBA	BL	1 x E27	MAX 60W

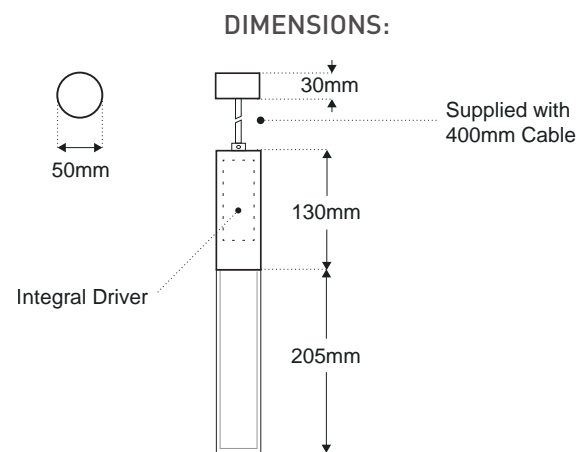
PENDANT LIGHT

CYLINDRICAL PENDANT LIGHT



CINTI - Cylindrical Aluminium Pendant Light

CINTI is an elegant pendant with a 3W LED light source featuring a clear acrylic diffuser. It creates an interesting fixture that is ideal for modern Lift Lobbies, Building Entrances and Special Rooms. Perfect to use in clusters as a complete art installation or individually.



STANDARDS:



PRODUCT CODING

PRODUCT CODE	FINISH	COLOUR TEMPERATURE	WATTAGE	LUMENS
CINTI	ALUMINIUM	3000K	3W	250LM





P1 KINGS CROSS

Complete lighting Turnkey to all areas.
Front of House, Landlord Areas, Student Accommodation, Special Rooms and Landscaped Exteriors.

PENDANT LIGHT

CLASSIC PENDANT LIGHT

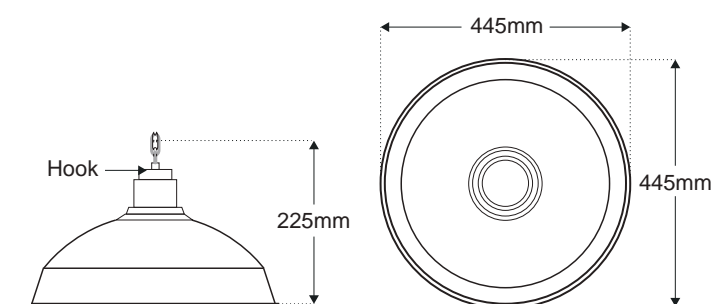


ORL3030

ORL3030 - Classic Pendant Light

The ORL3030 is a suspension lamp with a white aluminium integral finish. Its simple shape expresses the minimalism and the elegance of this pendant. Spun metal body with domed top and flared rim with light directed downwards. The ORL3030 has a universal E27 base compatible with Orlight's 5W TDE27LED lamp.

DIMENSIONS:



STANDARDS:



PRODUCT CODING

PRODUCT CODE	FINISH	COLOUR TEMPERATURE	WATTAGE	LUMENS
ORL3030	RAL6021 & WHITE	3000K / 4000K	5W	450LM / 500LM

DESIGNER CEILING LIGHT

DESIGNER CEILING LIGHT

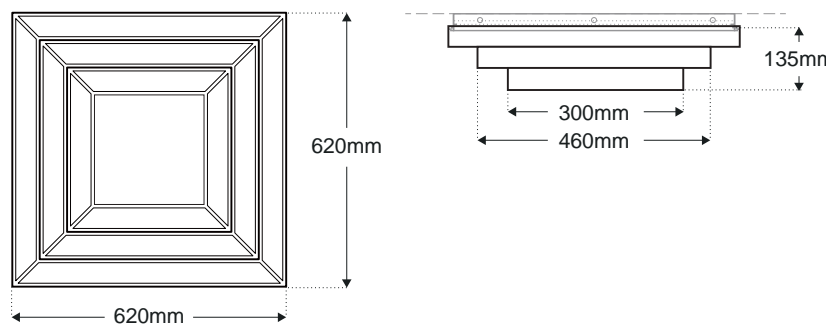


MAYA CH

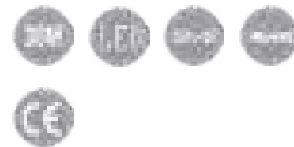
MAYA - 3 Layered Designer Ceiling Light

MAYA is the ideal solution for Elegant Areas, Lobbies and Atriums. The luxurious design is inspired by the illustrious Mayan temples and lends itself to Front of House areas. A unique design combined with the high quality of three LED quadrilaterals, which create a cascade effect.

DIMENSIONS:



STANDARDS:



PRODUCT CODING

PRODUCT CODE	FINISH	COLOUR TEMPERATURE	WATTAGE	LUMENS
MAYA	CH	3000K / 4000K	38W	3000LM



EAGLE HOUSE

Complete lighting Turnkey to all areas.
Private Apartments, Landlord Areas, Special Rooms and Landscaped Exteriors.

ST. EDMUNDS TERRACE

Complete lighting Turnkey to all areas.



HALO MIRROR

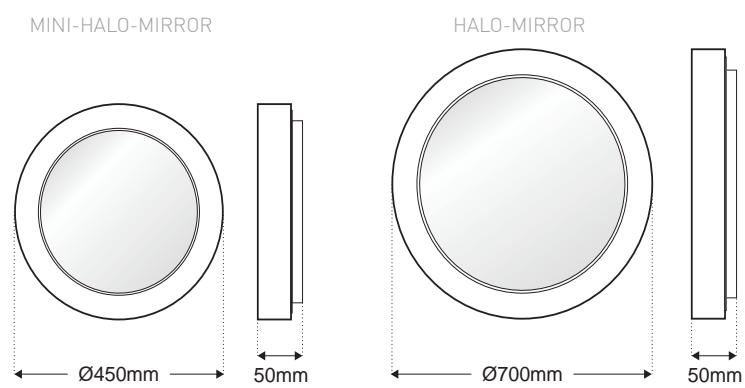
DESIGNER BACKLIT MIRROR



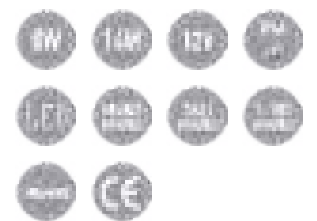
HALO MIRROR - Designer Backlit Mirror

Backlit anti-glare mirror providing Halo effect utilising 3200K linear LED. Complete with CE/UL listed constant voltage LED driver.

DIMENSIONS:



STANDARDS:



PRODUCT CODING

PRODUCT CODE	FINISH	COLOUR TEMPERATURE	WATTAGE	LUMENS	DIMMABLE OPTIONS
MINI-HALO-MIRROR	WH	3200K	8W	360LM	D / 1-10V / DALI
HALO-MIRROR	WH	3200K	14W	630LM	D / 1-10V / DALI

ORLIGHT - CHELSEA SHOWROOM

ELEGANT BATHROOM WALL LIGHT

ELEGANT BATHROOM WALL LIGHT

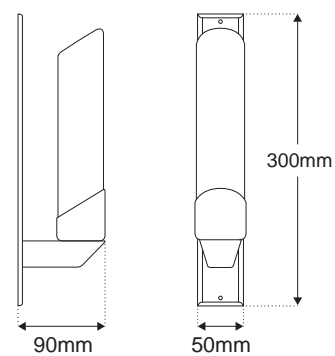


DYANA CH

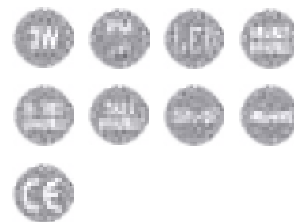
DYANA - Elegant Bathroom Wall Light

DYANA is an elegant wall light incorporating a 3W LED light source. Available in a multitude of colour temperatures and suitable to various dimming protocols.

DIMENSIONS:



STANDARDS:



PRODUCT CODING

PRODUCT CODE	FINISH	COLOUR TEMPERATURE	WATTAGE	LUMENS	DIMMABLE OPTIONS
DYANA	CH	2700K	3W	250LM	D / 0-10V / DALI
DYANA	CH	3000K	3W	300LM	D / 0-10V / DALI
DYANA	CH	4000K	3W	350LM	D / 0-10V / DALI

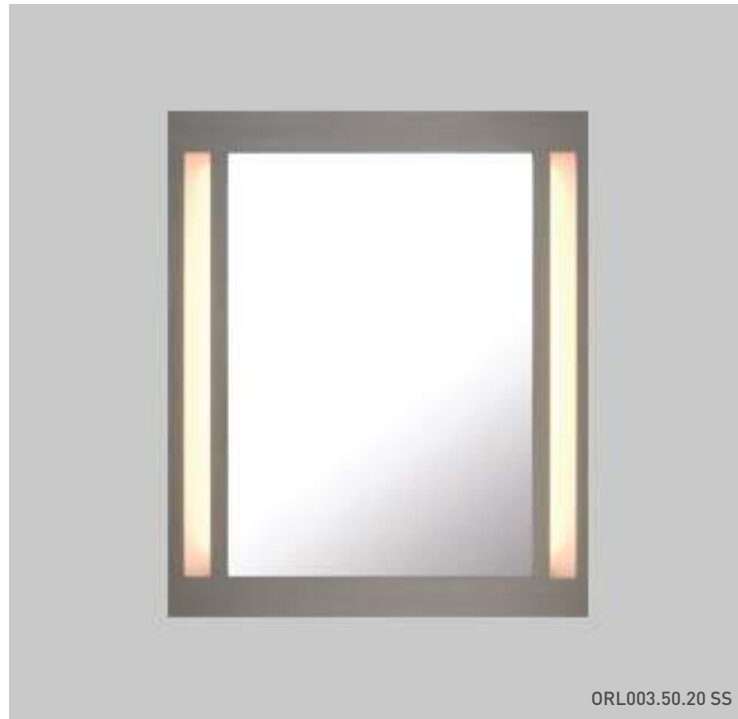


BACKLIT PORTRAIT MIRROR

BACKLIT LANDSCAPE MIRROR

STANDARD STOCK SIZE

STANDARD STOCK SIZE



STANDARD STOCK SIZE

STANDARD STOCK SIZE



ORL003.50.20 & ORL003.68.20 - Portrait Backlit Bathroom Mirror Light

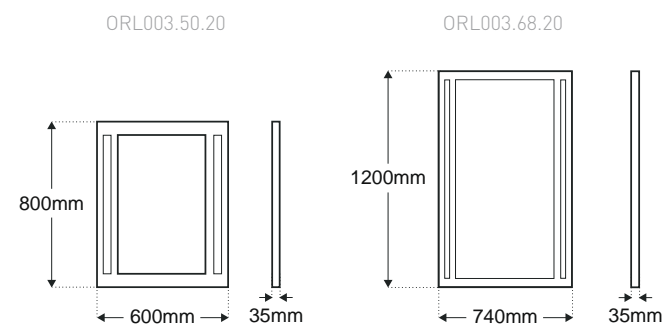
Hand polished stainless steel backlit mirror, with flush or surface mounting options. Available in bespoke sizes and demister options.

ORL003.86.20 & ORL003.86.22 - Landscape Backlit Bathroom Mirror Light

Hand polished stainless steel backlit mirror, with flush or surface mounting options. Available in bespoke sizes and demister options.

DIMENSIONS:

[Bespoke sizes available]

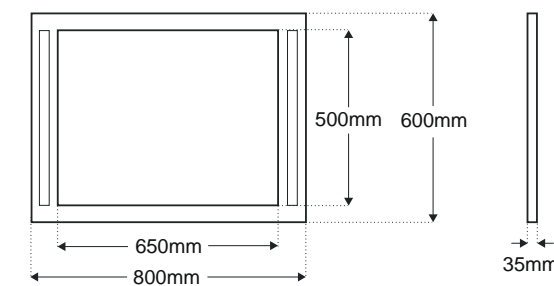


STANDARDS:



DIMENSIONS:

[Bespoke sizes available]



STANDARDS:



PRODUCT CODING

PRODUCT CODE	FINISH	COLOUR TEMPERATURE	WATTAGE	LUMENS	DIMMABLE OPTIONS
ORL003.50.20	SS	4000K	2 x 24W	---	---
ORL003.68.20	SS	4000K	2 x 24W	---	---

PRODUCT CODING

PRODUCT CODE	FINISH	COLOUR TEMPERATURE	WATTAGE	LUMENS	DIMMABLE OPTIONS
ORL003.86.20	SS	4000K	2 x 24W	---	---
ORL003.86.22	SS	4000K	2 x 24W	---	---



Disclaimer:

All product sizes quoted within this publication are for informative purposes and can be subject to change due to product upgrade. Do not cut any holes until stock is confirmed and sample approved on site.