

TEMPUS-2-DR-DIM-2IC

ITEM NO. DRIVER - 17167

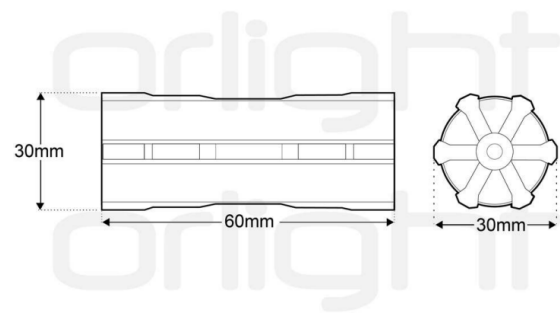
The TEMPUS DIM Driver has been designed to work with the TEMPUS-2 light fixture.

The 30mm diameter allows for easy installation through the same cut out as the luminaire itself.

This not only makes installation simple but allows for easy access and wiring prior to fitting.



Dimension



Technical Specifications

Output	Dimming Options	Mains
	Type	Constant Current
	Power	7W Max
	Voltage	32V DC
	Current	160mA
	Voltage Tolerance	+5.0%
Input	Input Voltage Range	200-240VAC
	Power Factor	>0.7
	Efficiency	>85%
	Frequency Range	50 / 60Hz
Protection	Short Circuit	Recovers automatically after fault condition is removed
	Over Load	>105%