

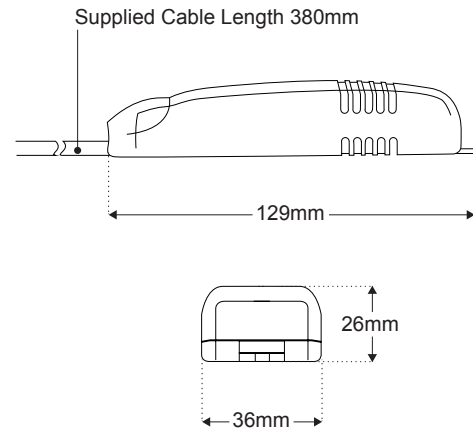
ORLRPV350CC

ITEM NO. DRIVER - 15231

The ORLRPV350CC constant current driver is rated to IP68 making it suitable for submersion up to 2M.
The driver is rated to 350mA with a Max load of 9W.



Dimension



Technical Specification

Dimming Options	Switched
Type	Constant Current
Input Voltage	120-240V
Input Frequency	50/60Hz
Input Current	0.039A
Output Voltage	37V Max
Output Current	350mA
Output Power	9W Max
EMI	Class 2
Safety	EN61347-1, EN61347-2-13
IP Rated	68
Ta	45° C Max
Tc	-20° C -- 85° C
Weight	240g