

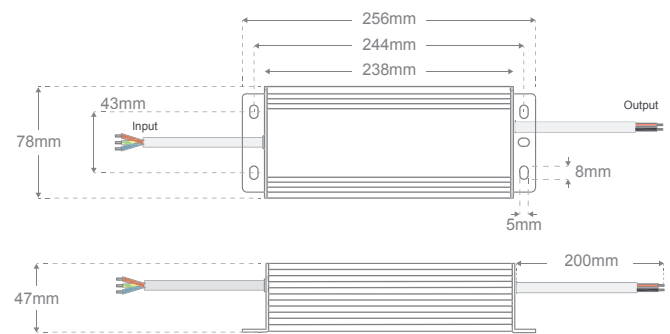
ITEM NO. DRIVER - 15193



Features:

- Triac (Mains) dimming
- Input: 180-240VAC ~ 47-63Hz, Output: 24V
- Rated Power: 150W, AC Current: 1.51A
- Working Temp: - 40°C ~ + 70°C, Weight: 1.4Kg

Dimension



Technical Specification

Output	Dimming Options	Mains
	Voltage Tolerance	$\pm 0.5V$
	Voltage	24VDC
	Current	6.25A
	Power	150W Max
Input	Input Voltage Range	180-240VAC
	Frequency Range	47-63Hz
	Inrush Current	56A (Twidth = 1.18ms 230VAC)
	Power Factor	>0.65
	Efficiency	>86%
Protection	Leakage Current	<0.50mA
	Short Circuit	Hiccup mode, Recovers automatically after fault condition is removed
	Over Load	$\leq 120\%$
	Over Current	$\leq 1.2 \cdot I_{out}$
Environment	IP Rated	IP66
	Ta	-40-+70 °C
	Tc	+95 °C
	Vibration	10-500Hz / 2G, 10 minutes
Weight	Safety	EN61347-1
		1.45Kg