

MAXDR-MINI-250-700MA

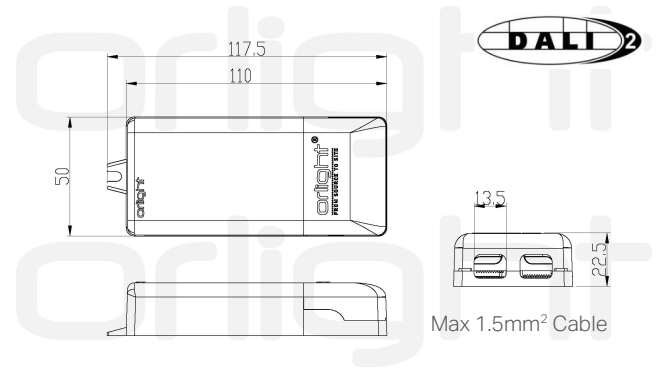
ITEM NO. DRIVER - 11888

MAXDR-MINI-250-700mA is a constant current LED driver. Featuring DALI-2, Push-DIM and 1-10V.

Input: 220-240VAC ~ 50-60Hz
Output: 250-700mA



Dimension



Technical Specifications

Dimming Options	DALI; Push-DIM; 1-10V
Type	Constant Current
Input Voltage	220-240VAC
Input Frequency	50-60Hz
In-Rush Current	19.2A @ 30μs
Output Voltage	57V Max (NO LOAD)
Lifetime	>50,000 hours
IP Rated	IP20
Ta	-20°C ~ +45°C
Tc	85°C
THD	<10%
Glow Wire Test	850°C for 5S; 650°C for 30S

DALI Standard

IEC 62386-101: 2014. IEC 62386-102; 2014,
IEC 62386-207: 2009, DALI-2

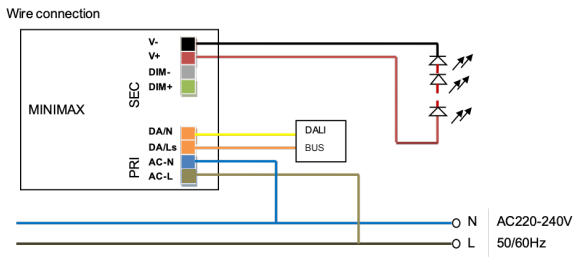
Flicker

Output P_ST_LM [at full load] ≤ 1
Output SVM [at full load] ≤ 0.4

Pout	Forward Vo DALI	Forward Vo 1-10V	Io DC	Dip Switch 1	Dip Switch 2	Dip Switch 3	Dip Switch 4
12.5W	12-50V	3-50V	250mA	ON	ON	ON	ON
15.0W			300mA	ON	—	ON	ON
17.5W			350mA	ON	—	—	—
20.0W			400mA	—	ON	ON	ON
19.8W	12-44V	3-44V	450mA	—	ON	—	ON
20.0W	12-40V	3-40V	500mA	—	ON	—	—
19.8W	12-36V	3-36V	550mA	—	—	ON	ON
19.8W	12-33V	3-33V	600mA	—	—	ON	—
20.2W	12-31V	3-31V	650mA	—	—	—	ON
20.3W	12-29V	3-29V	700mA	—	—	—	—

MAXDR-MINI-250-700MA

Circuit Diagram: DALI



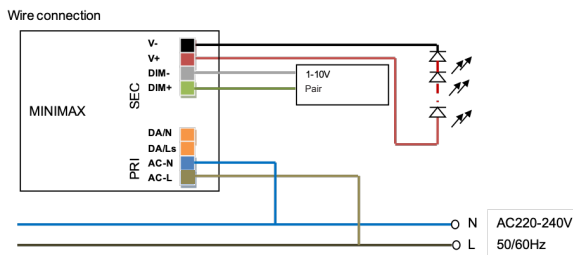
Compatible with both DALI-2 application controllers or DALI-1 master.

DALI signal to the DA1 and DA2 terminals are polarity-free.

Addressing:

- Max 64 IP addresses.
- Max. 16 Groups
- Dimming Range 1-100%

Circuit Diagram: 1-10V

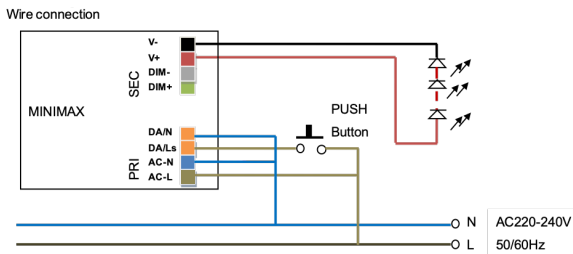


Compatible with both passive and active 1-10V dimmers.

Connect the 1-10V Master as per wire schematic, then you can dim using a 1-10V dimmer.

The maximum permissible length of the control line is 100M.

Circuit Diagram: Push-DIM



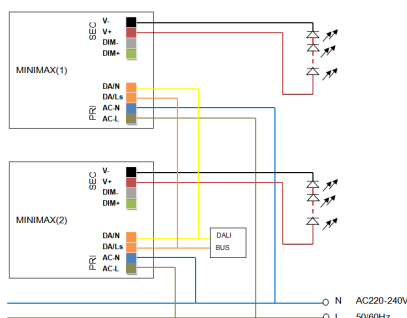
Do not use more than 20 MAXDR-MINI-250-700mA in a single push-DIM application.

B) The cable length between the push-button and the farthest MAX-DR-MINI may not be longer than 105M. Compensation measures must be applied for line lengths required to be more than 25M long.

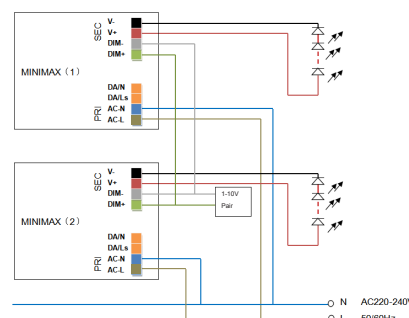
Operation	Action Duration	Action
Briefly Press	0.04-0.5 sec	Light ON/OFF
Press & hold at ON status	0.50-5.0 sec	Brightness Dimming down to 2%, or up to 100%
Press & hold at OFF status	0.50-5.0 sec	Brightness Dimming from 2%, up to 100%

Parallel Wiring

DALI



1-10V



PUSH DIMMING

