

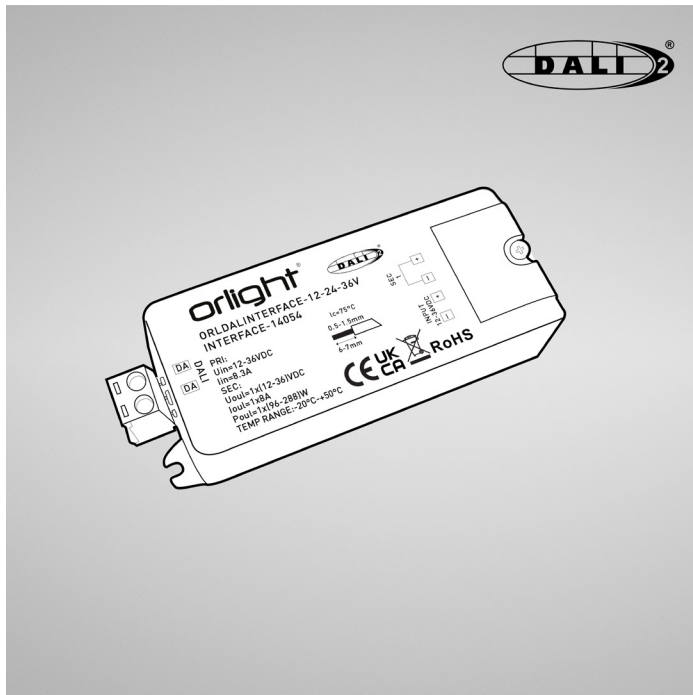
# ORLDALIINTERFACE-12-24-36V

ITEM NO. DRIVER -14054

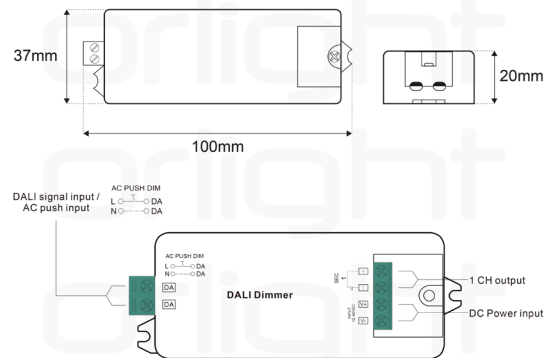
LED DALI/PUSH DIM interface is suitable for dimming constant voltage modules.

Output capability for 12V, 24V or 36V LED modules with maximum 8A output current.

This product needs to be used in conjunction with appropriate constant voltage LED drivers.



## Dimension



## Technical Specifications

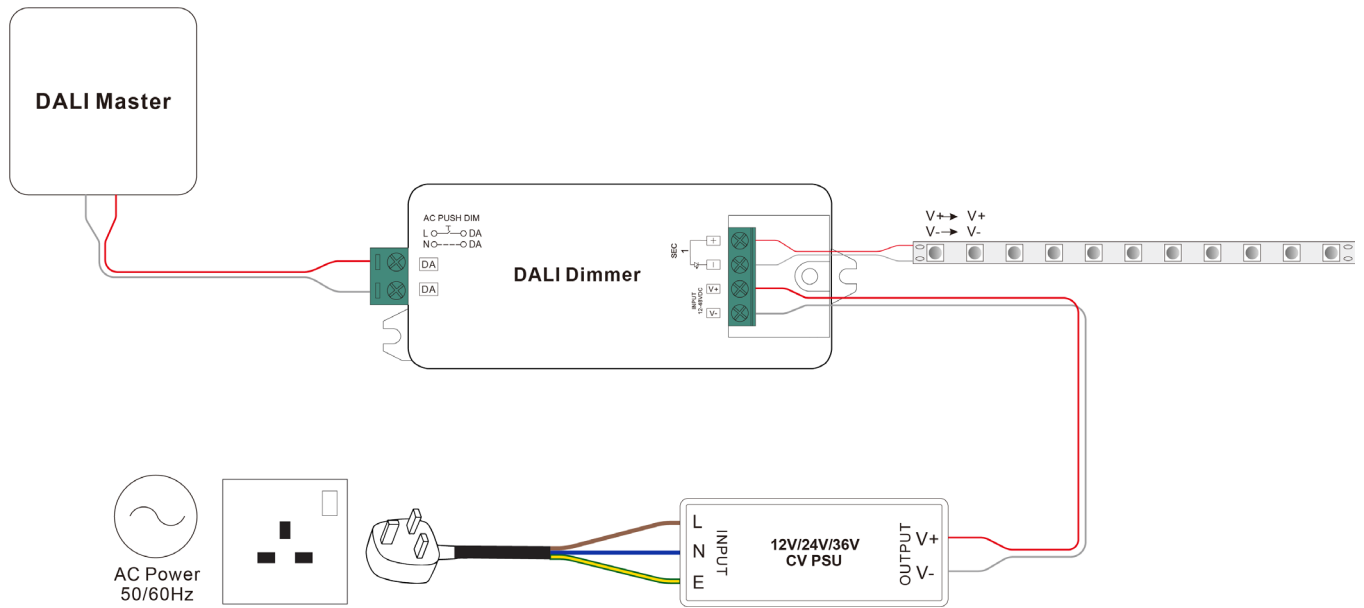
Dimming Options	DALI/PUSH DIM
Voltage (V)	12V, 24V, 36V
Max Output Current	8A
Max Output Power	96W (12V) / 192W (24V) / 288W (36V)
Ta	-20°C + 50°C
Tc	+75°C
Flicker	Output P_ST_LM [at full load] ≤ 1 Output SVM [at full load] ≤ 0.4

Product Variant Code	DALI INTERFACE
Installation	REMOTE
Constant Current or Voltage	CONSTANT VOLTAGE
IP Rating	IP20
Configurator Category	04.DRIVERS
Product Family Code	INTERFACE

# ORLDALIINTERFACE-12-24-36V

ITEM NO. DRIVER -14054

## DALI Wiring



## PUSH DIM Wiring

